

# SLIDING DOORS: INSTALL & MANUAL INSTRUCTIONS

## SYSTEM AIR-B S 42 WITH SLIDING DOOR BRAKE

Version 3.0 (2018-07-13)

1.03.2.c



Subject to technical changes.

**raumplus**

# CONTENT AND TOOLS

## CONTENT:

Content and tools	page	02
Manual	page	03
Product information	page	04
Accessories	page	06
Installation instruction	page	08
Detail drawings	page	13
Installation instruction S1200	page	15
Installation instruction C 42	page	16
Installation instruction S8000	page	17

## TOOLS:

(without claim of completeness)

- Aluminium saw
- Allen keys set
- Double open-ended spanner (10 mm)
- Drilling machine
- Drills sets (stone / wood)
- Rubber mallet
- Masking tape
- Pencil
- Cross tip screwdriver set
- Water level
- Mounting material by customer  
According to local condition and  
Type of mounting

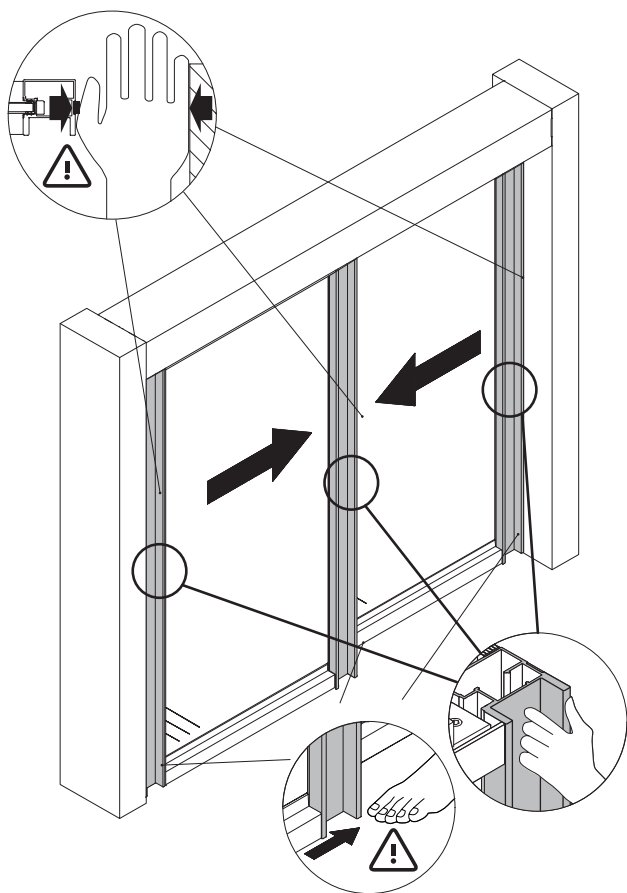


### VERSION INFORMATION:

- Version 1.1: Redesign manual and product information added
- " 1.2: min. door width = 700 mm
- " 1.3: Installation instruction S1200/C42 added
- " 2.0: Cover, distance of the drills corrected / Cover/middle insert profile AIR S42 added
- " 3.0: Series 8000 added

# MANUAL

This manual is part of the delivered product and describes the safe and proper use.



## Designated use:

The product is designed and manufactured for indoor use.

The product was designed as a hand-guided sliding door that is usually not being moved faster than walking speed and should be stopped manually when reaching the end position. The doors are guided on top and bottom track.

Any other use that deviates from the specific proper use is not according to the **raumplus** regulations.

## Manual:

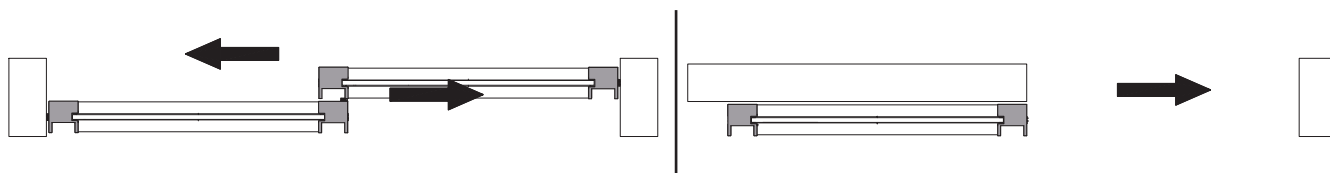
Open the door by using the handle profile or the handle (optional).

Guide the door slowly to the ...  
... opening / closing point, or  
... activating point of the sliding door brake (optional).

## Attention:



Preserve your hands from getting trapped during the movement of the door. When closing or opening the door never take hold of the profile, only use the handle profile or the handle.

Use the door as instructed.



## Safety Information:

The product complies with the prior of the art and the approved safety rules at the time of delivery.

- Pay attention to child safety.
- No additional load to the doors.
- Structural changes, additions or modifications can only be carried out by a distributor.
- In case of malfunctions or irregularities: shut down the system and contact your dealer.
-  For Installation without wall connection: use of top / bottom stopper is obligatory 








As defined in the „Law of Liability for Products“ (§4 Prod-HaftG), for the liability of the manufacturer, for his products, the above information has to be regarded. The disregard of this manual, releases the manufacturer from his liability.

# PRODUCT INFORMATION

## GENERAL INFORMATION: Preparation

- This manual is part of the product and describes the safe and proper installation of the system. Please read the instructions carefully before installation
- Please note that the assembly should only be done by qualified and trained staff in strict compliance with all details indicated in this document. Improper installation in variation from manufacturer's specification may cause defects and danger, thus endangering the safe fixing of the product as well as the safety of the prospective user. The liability of the manufacturer shall be excluded in case of defects and consequential damages resulting from incorrect assembly of this product.
- Please check the completeness of the delivered parts and check carefully if any transport damages are visible.
- If any parts are damaged or lost, please immediately contact the responsible supplier.
- It is assumed that you have exactly identified all cutting dimensions according to the measurement instruction for **raumplus** products.

## SYMBOLS:

Symbol	Importance
	Risk or danger!
	Advice and information
	Additional information / other documents
	Directional data / direction of movement
	„yes“ and „right“
	„no“ and „wrong“
	Follow the order

## SYSTEM:

### System Information: AIR-B S42 Sliding door brake

- max. weight of element = **60 kg**
- min./max. door height = **700 mm / 2750 mm**
- min./max. door width = **700 mm / 1200 mm**
- **cutting measures**  
stile reduction of height = **80 mm / ▲ S1200 = 87 mm**

# PRODUCT INFORMATION

## GENERAL INFORMATION: **Product safety**

- The door system complies with the prior of the art and the authorized safety rules at the time of delivery.

## USE:

### **Intended use**

- The prerequisite for the intended use of our products is the professional installation according to our installation instruction. Sufficient fittings must be available and durably installed to all relevant places.  
The function of the fittings must not be hindered or altered during installation.
- Special solutions are only possible in consultation with **raumplus**.

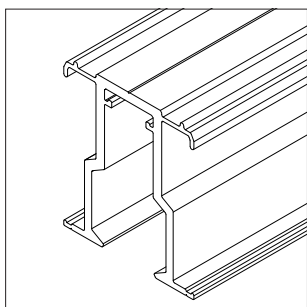
### **Incorrect use**

- Risk or danger may occur in the following cases:
  - the door system has improperly been installed or maintained
  - the safety and installation instructions have not been followed.
  - after improper installation or inadequate fixing (e.g. to parts of buildings)
  - the maximum weight of the doors has been exceeded.
  - improper shock and case loads or other additional loads on the fittings have occurred
  - the fittings have been used outside.
  - body parts or objects got into the closing edges or door runnings during use of the door wing.
  - the door system is not used as intended.

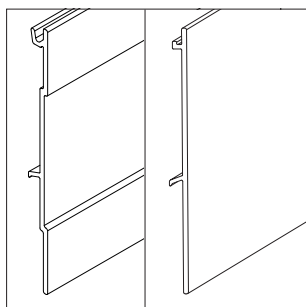
### **Structural modifications**

- Structural modifications that are not offered as an accessory from **raumplus** may only be attached or installed with permission of **raumplus** GmbH!

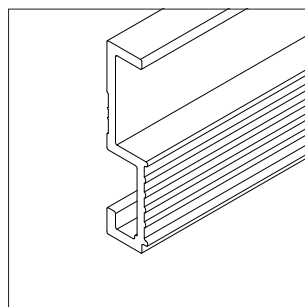
# ACCESSORIES



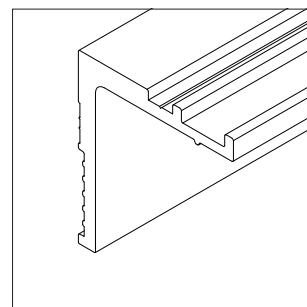
1\_ 14.51.0xxx



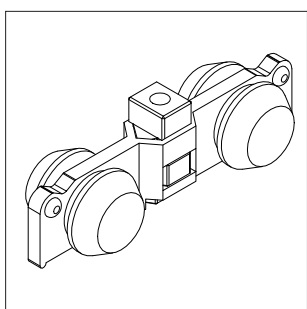
2\_ 14.52.0xx / 14.59.0xx



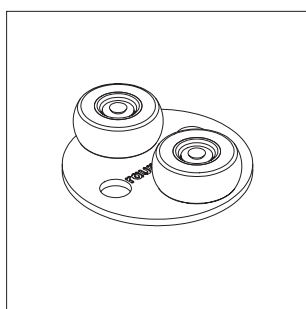
3\_ 14.58.0xx



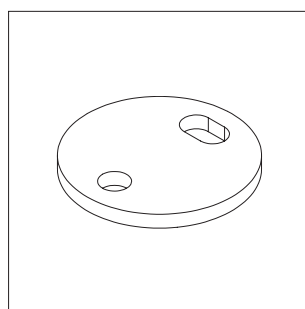
4\_ 14.57.020



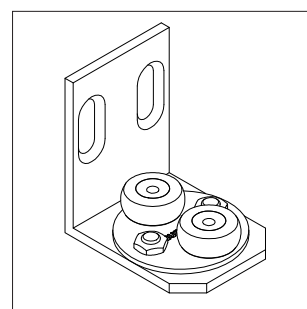
5\_ 10.06.300



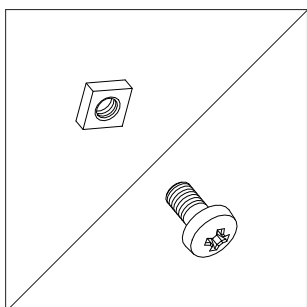
6\_ 10.06.030



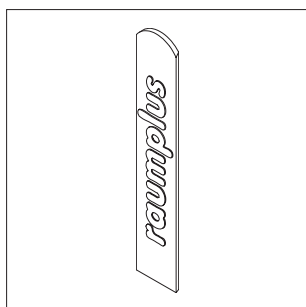
7\_ 10.05.025



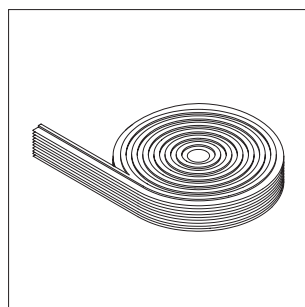
8\_ 10.05.022



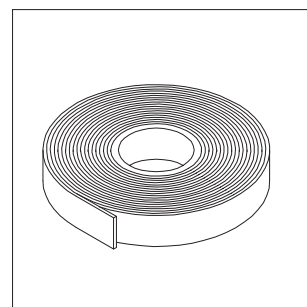
9\_ 10.07.089 / 10.06.407



10\_ 10.07.05x



11\_ 10.07.020



12\_ 25.12.046

1\_ Top track insert for AIR S42 with SDB

2\_ Cover for insert profile AIR S42 with SDB

Cover/middle insert profile AIR S42

3\_ Wall connection distance profile AIR S42 with SDB

4\_ Wall connection profile S42 AIR with SDB

5\_ Top roller AIR with SDB

6\_ Ground plate with rollers AIR 38 mm

7\_ Ground plate w/o rollers AIR

8\_ Wall outlet with guiding AIR S42

9\_ Nut and screw DIN7985 M5x10

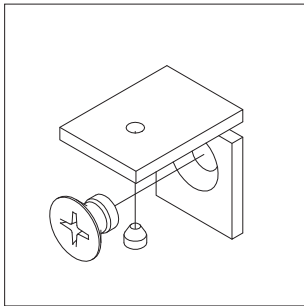
for wall connection profile

10\_ Plug for punching holes

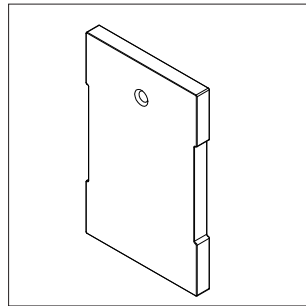
11\_ Dust excluding brush, grey

12\_ Double side tape

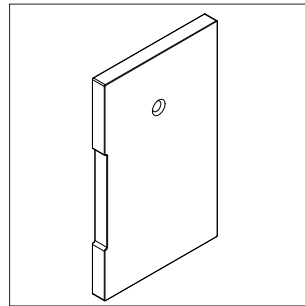
# ACCESSORIES



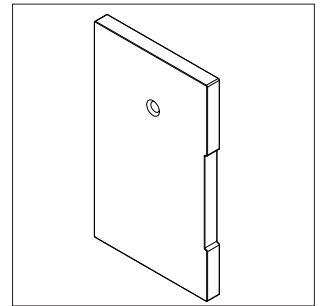
13\_ 10.05.290



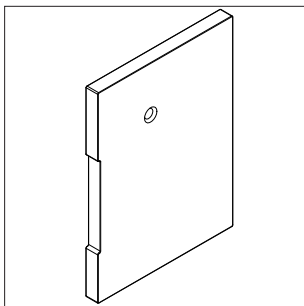
14\_ 10.06.391



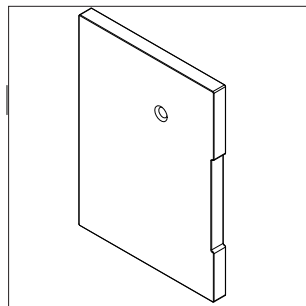
15\_ 10.06.396



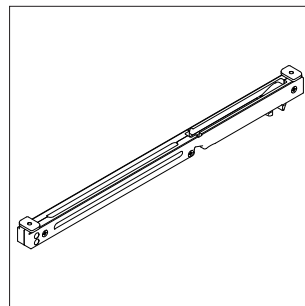
16\_ 10.06.397



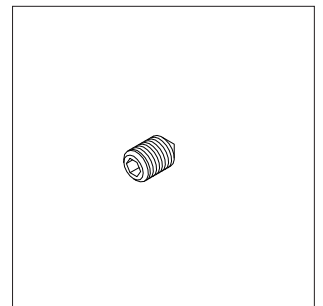
17\_ 10.06.392



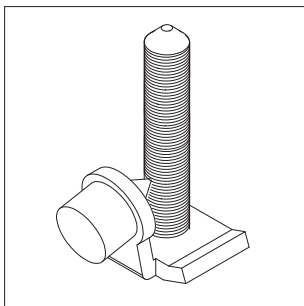
18\_ 10.06.393



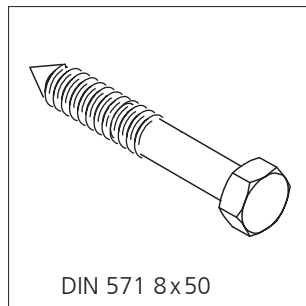
19\_ 10.06.365



20\_ 10.06.350



21\_ 10.06.360



22\_

DIN 571 8x50

13\_ Connector for end cap, AIR

14\_ End cap for insert profile AIR S42 with SDB, single, 80 mm

15\_ End cap for wall connection profile, left, single, silver

16\_ End cap for wall connection profile, left, single, silver

17\_ End cap for wall connection- and distance profile, left, single

18\_ End cap for wall connection- and distance profile right, single

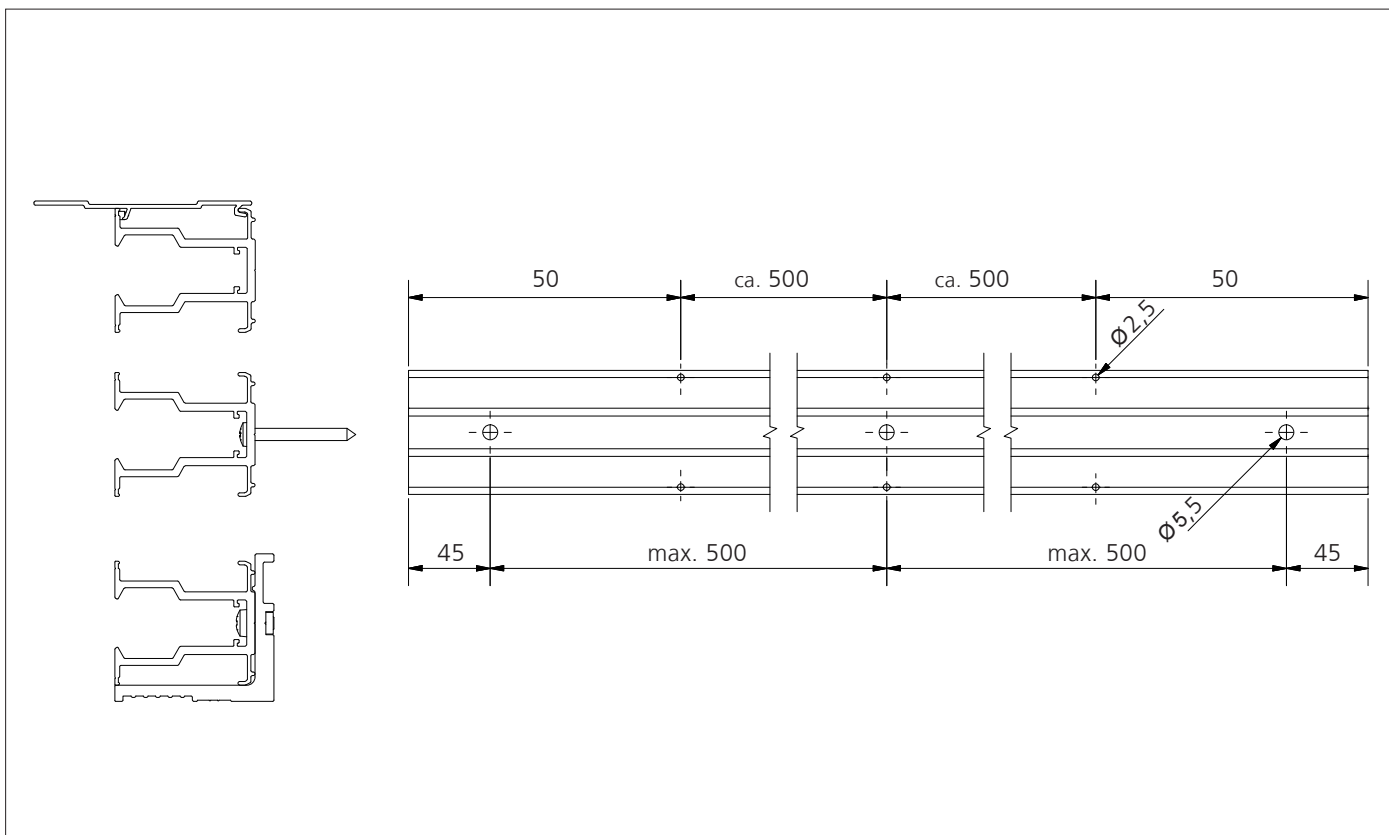
19\_ Sliding Door Brake AIR, set includes 1 x SDB 2 x slot nut 2 x screw M4x14

20\_ Screw DIN 914 M3x5 for attachment of the cover at the top track

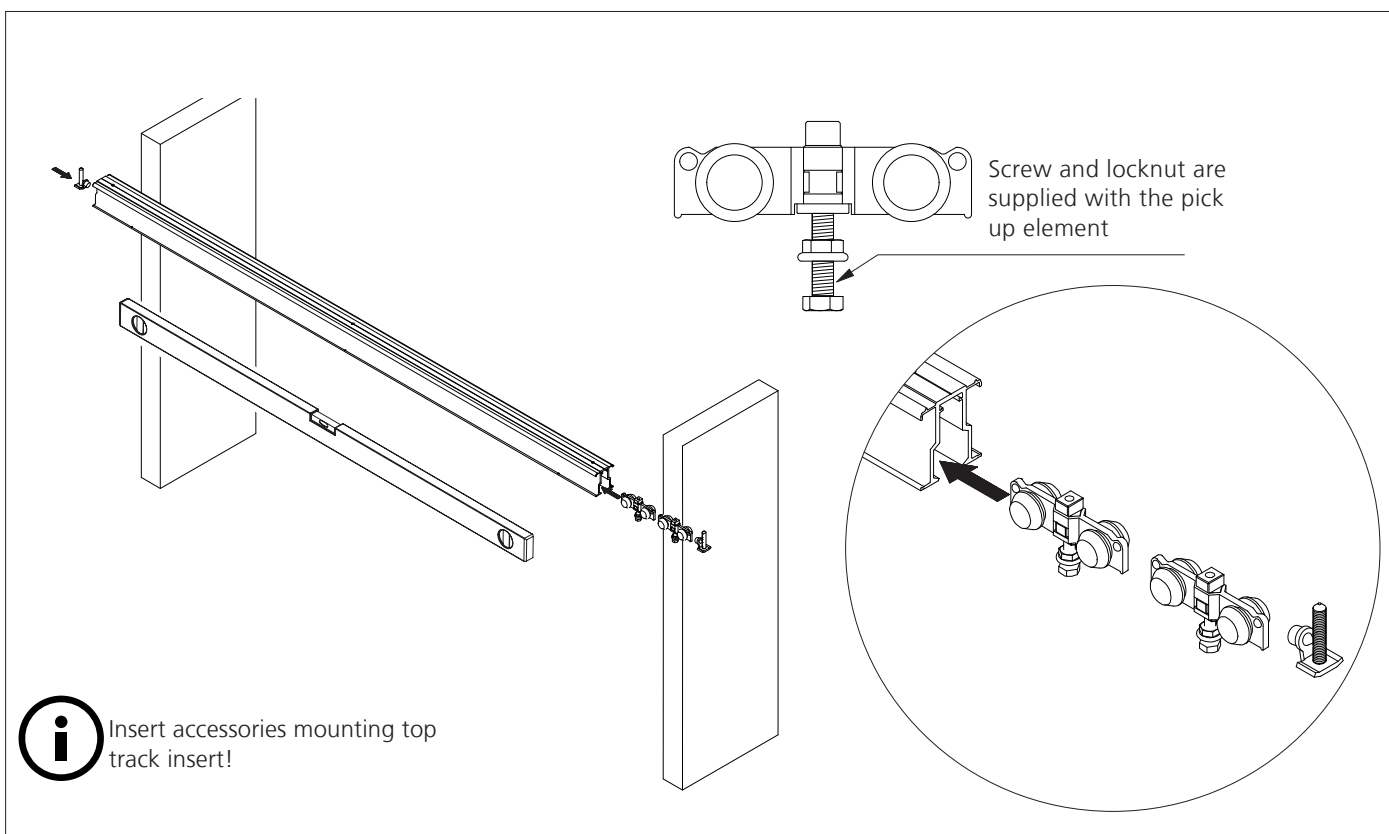
21\_ Stopper f. top track for SDB air must be used when there is no door stop

22\_ Fastener for Wall connection- and distance profile (recommended)

# INSTALLATION INSTRUCTION



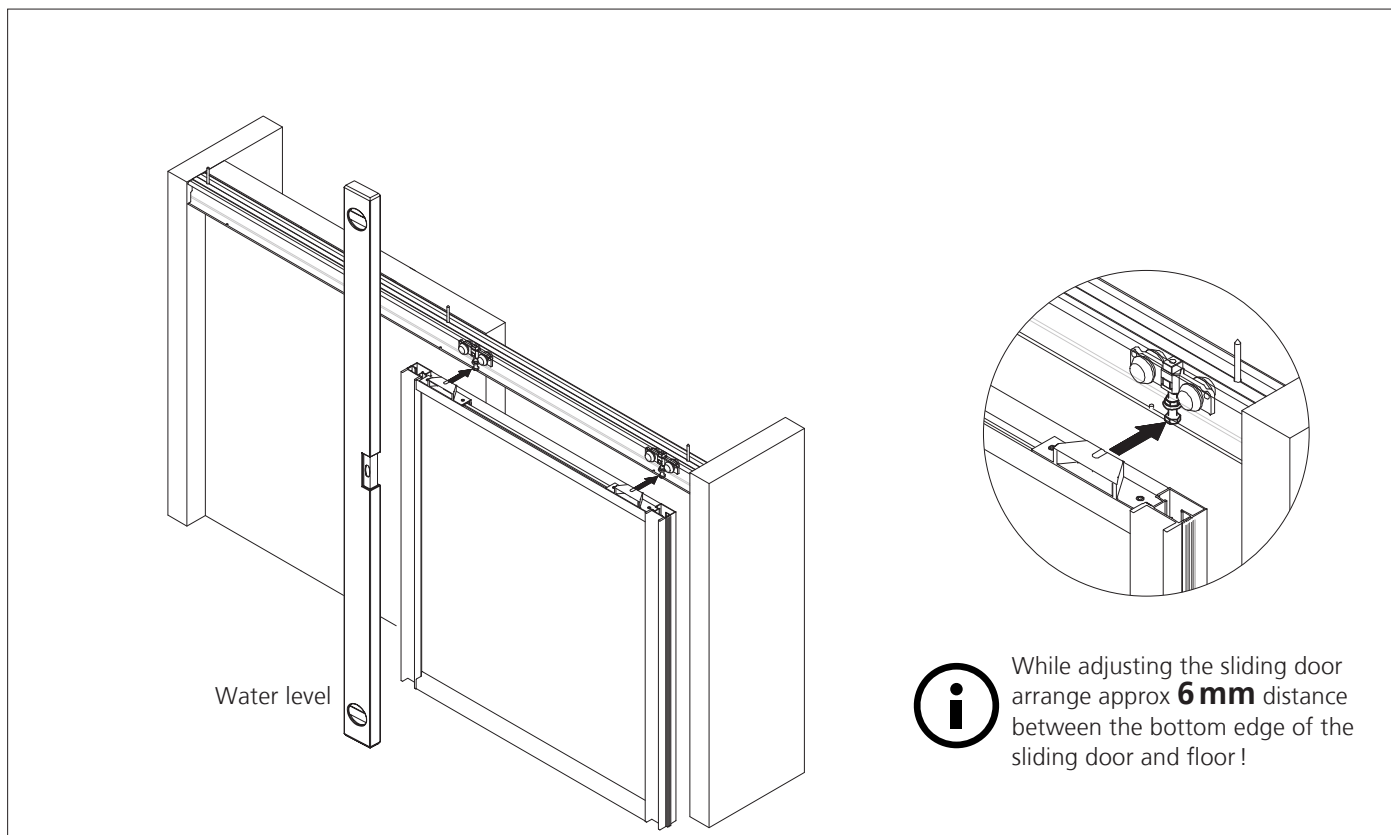
1\_ Cut the profiles to size and drill holes in top track insert and at demand simultaneously in wall connection profile



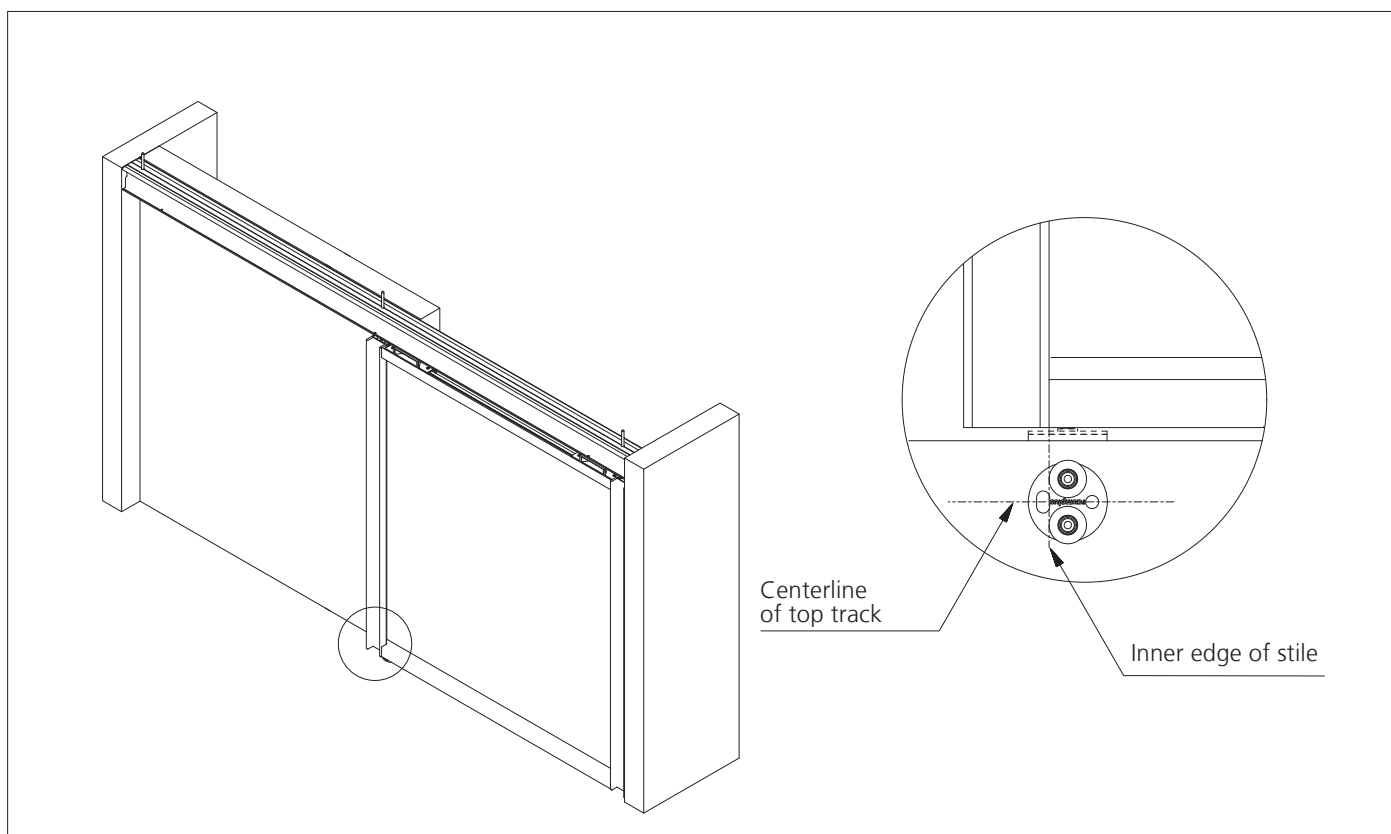
2\_ Drill holes in ceiling/top of corpus and mount the top track insert horizontally (fig. w/o ceiling/corpus)



# INSTALLATION INSTRUCTION

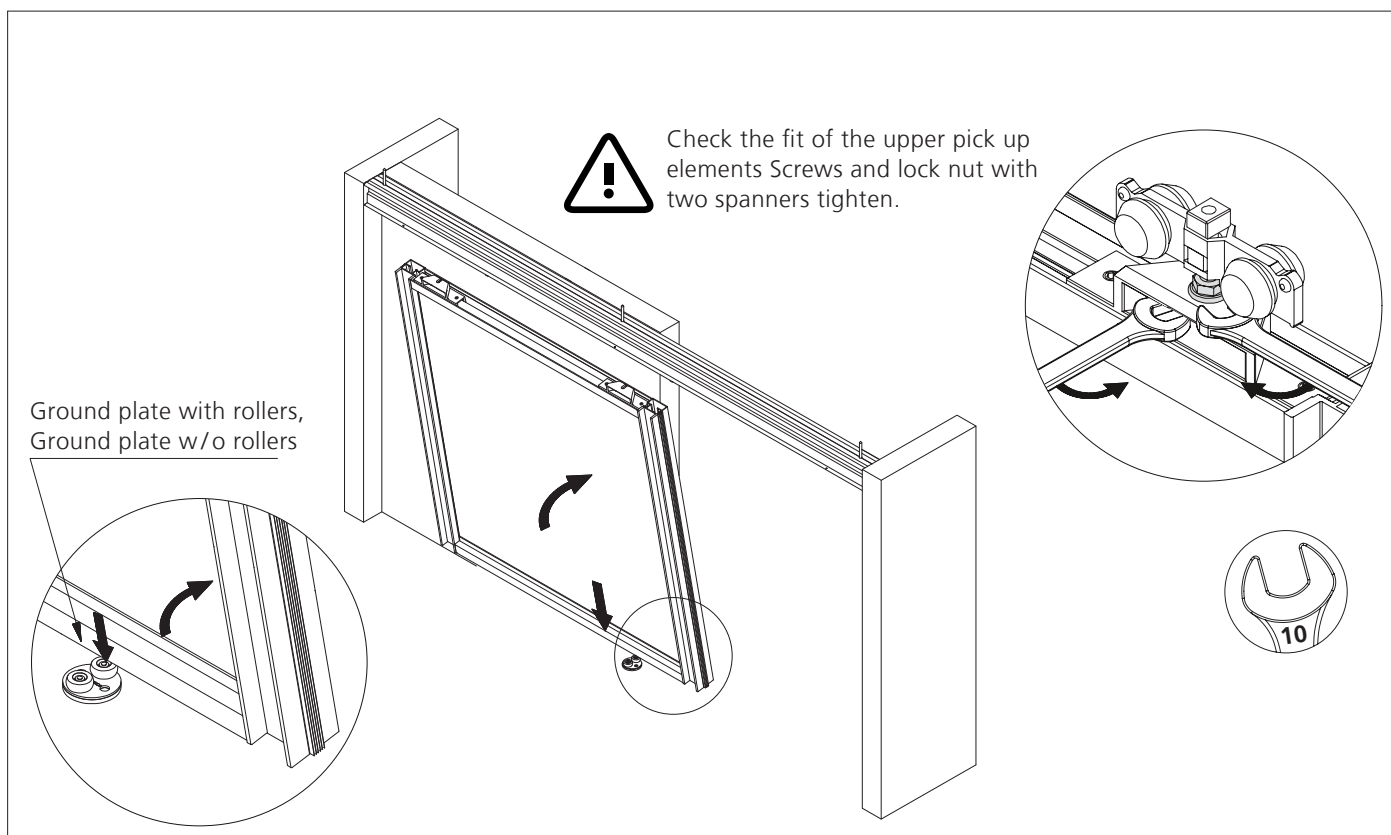


**3\_ Hinge the sliding door and adjust perpendicular with the set screws - do not tighten yet**

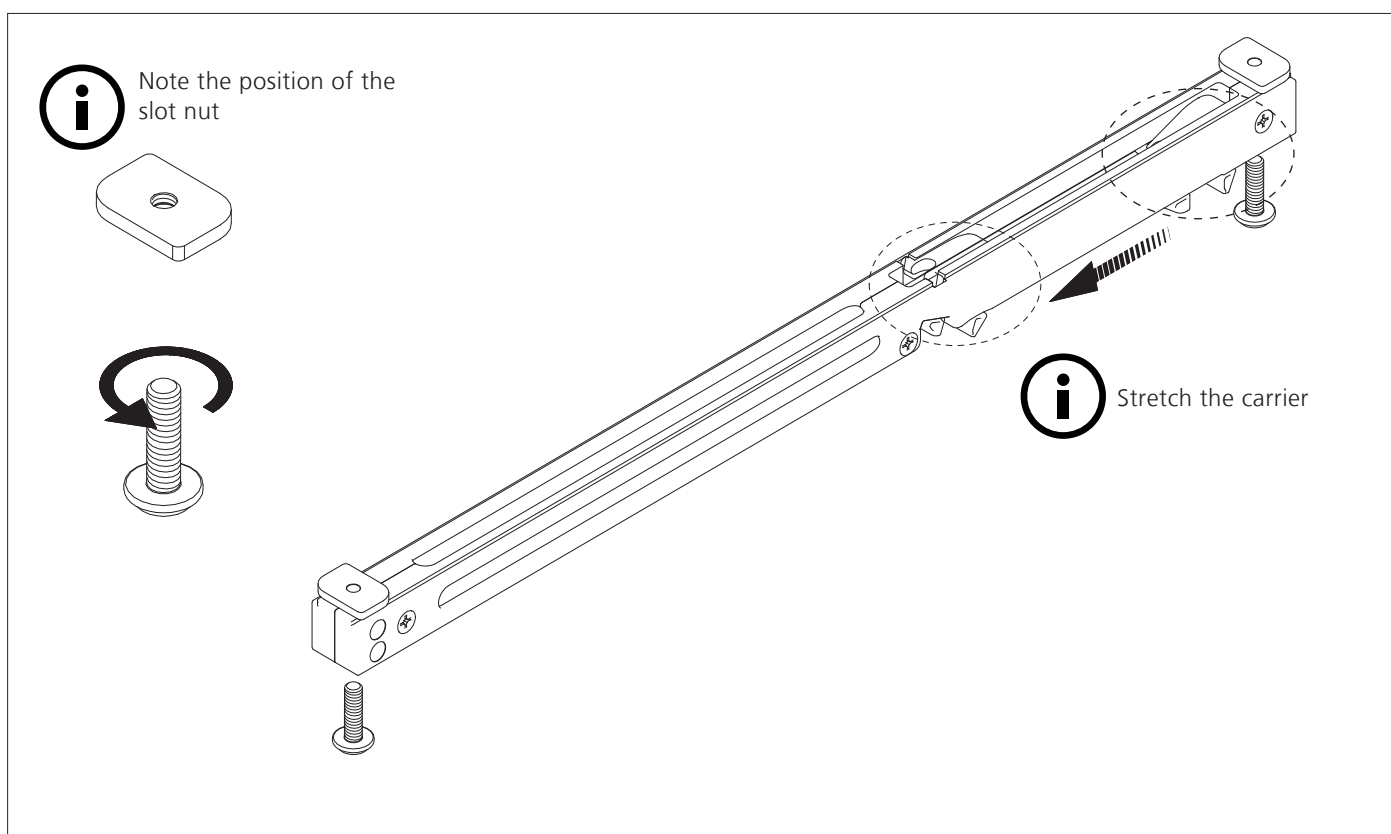


**4\_ Mark position of ground plate (masking tape/pencil), unhinge sliding door and mount ground plate**

# INSTALLATION INSTRUCTION

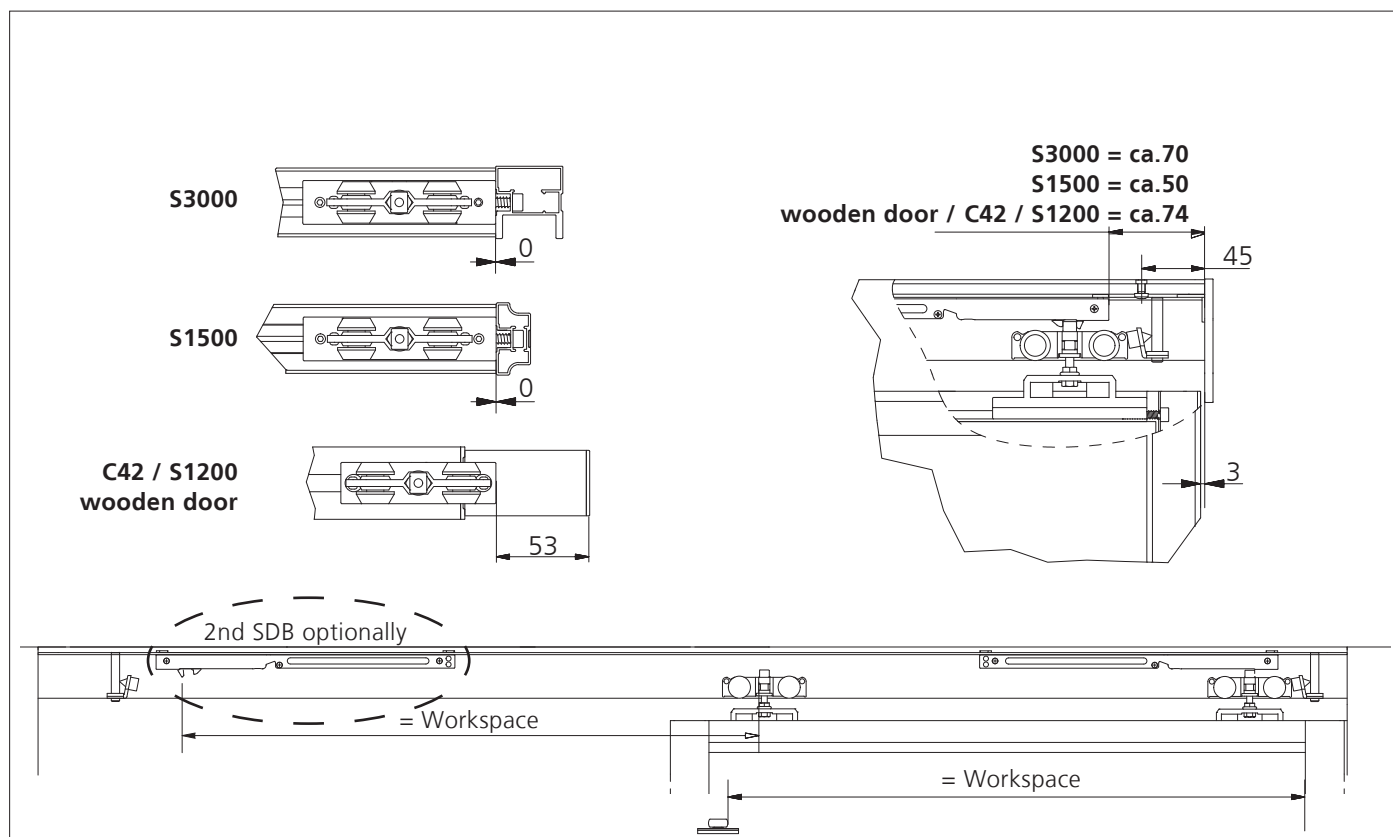


5\_ Mount the sliding door, then tighten fix the counter nuts at the pick up elements!

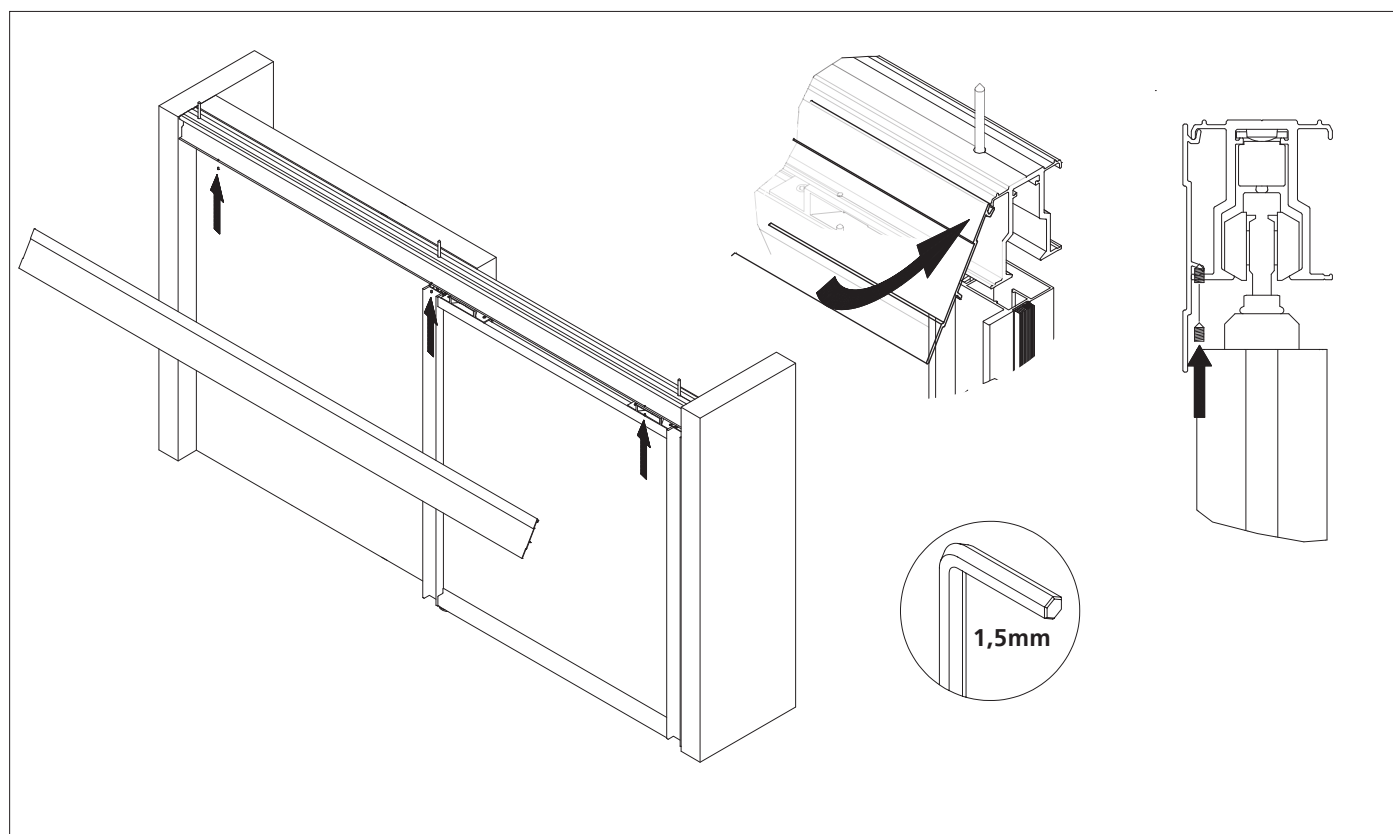


6\_ Preparing the SDB

# INSTALLATION INSTRUCTION



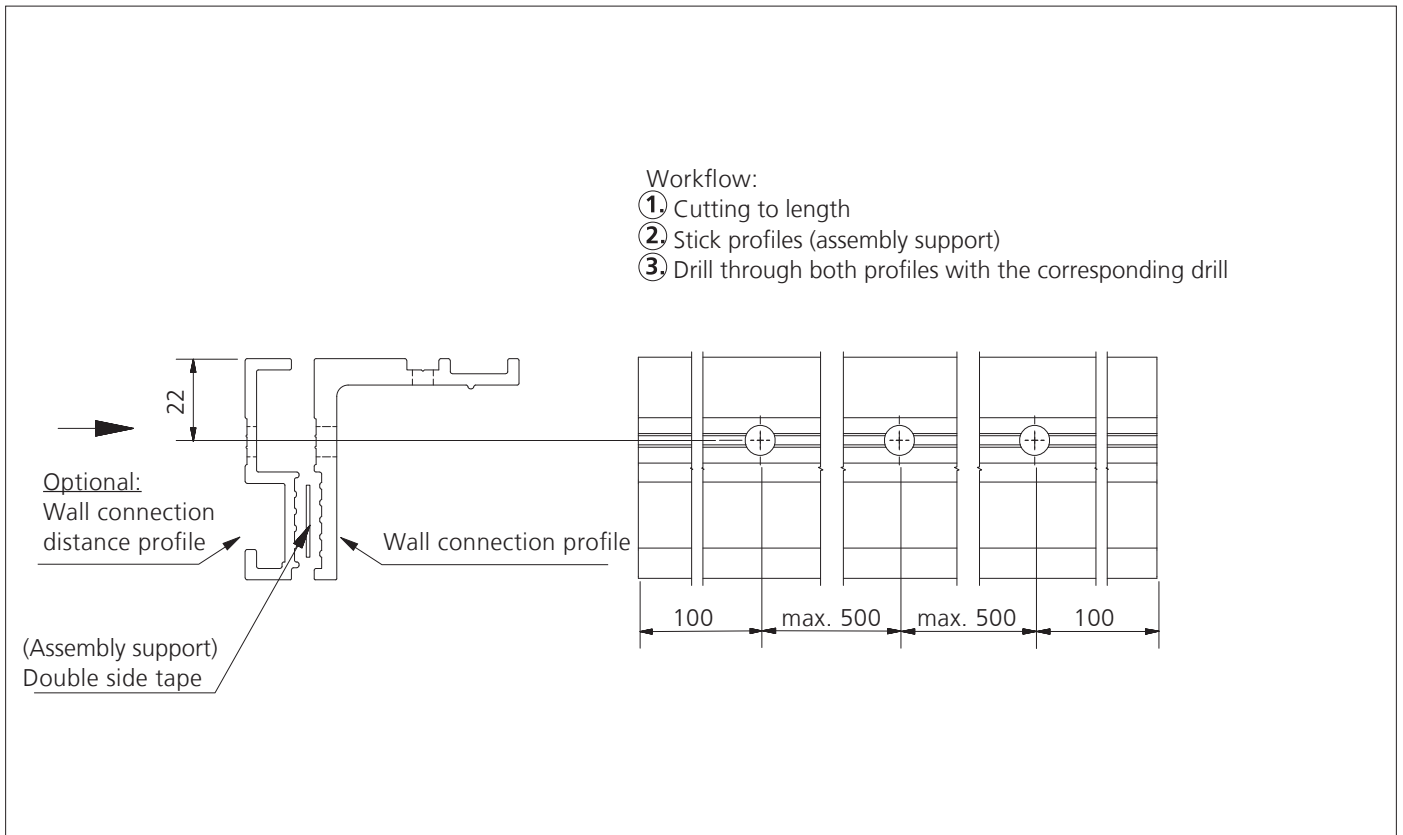
7\_ Positioning of the sliding door brake



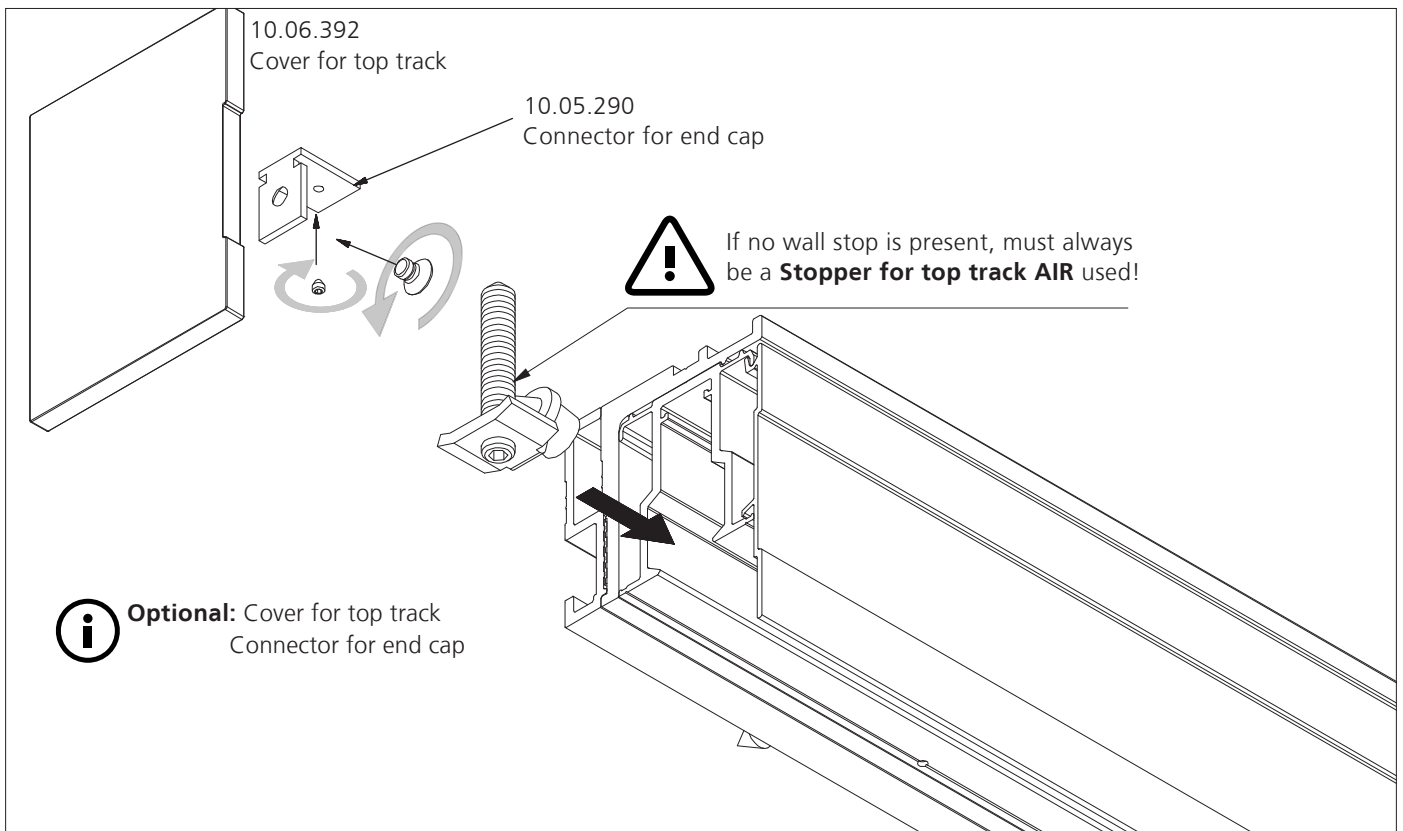
8\_ Mount the cover for top track and fix it with the screws

# INSTALLATION INSTRUCTION

## ACCESSORIES TOP TRACK WALL MOUNTING



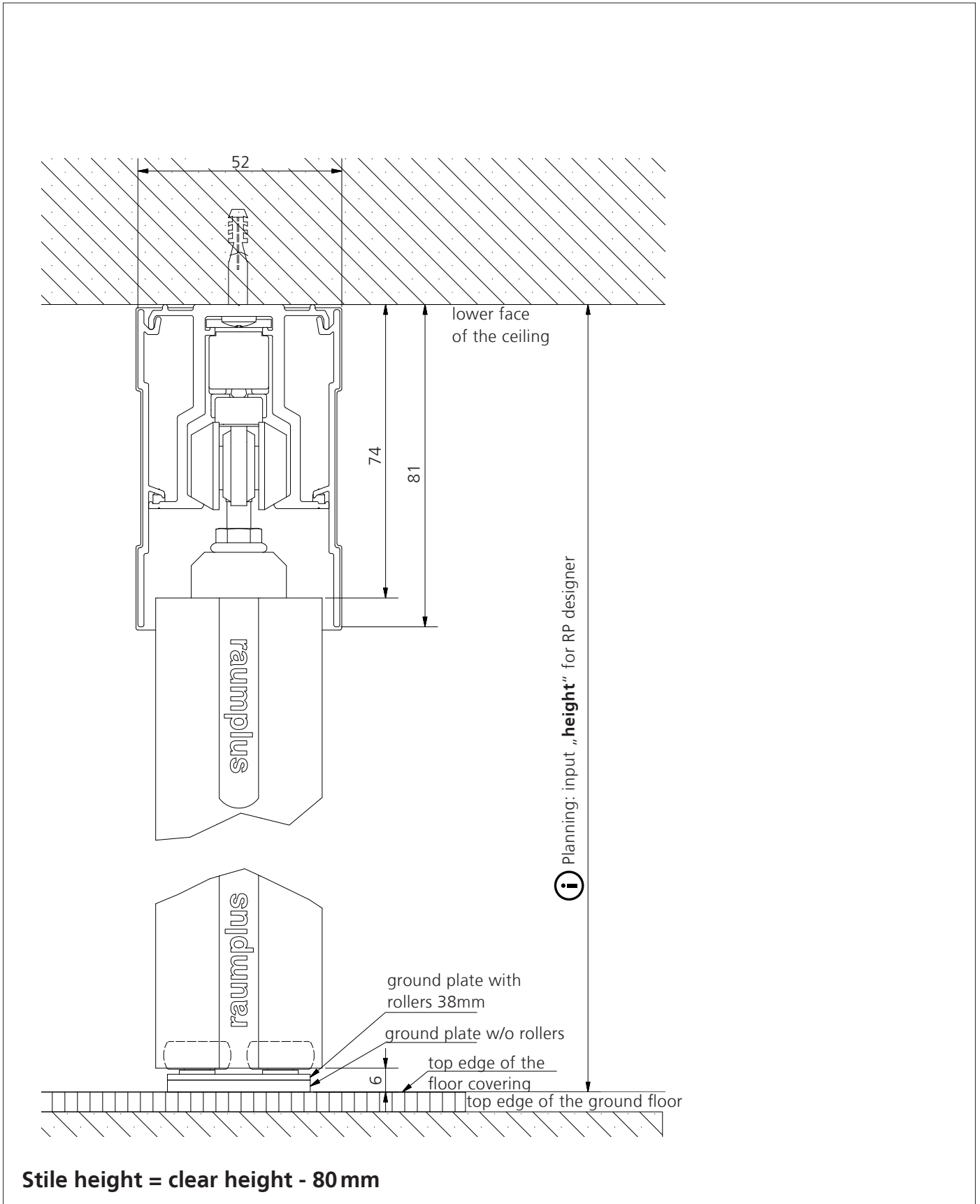
1\_ Drilltemplate wall connection and wall connection distance profile



2\_ End cap for wall connection profile, left

# DETAIL DRAWING

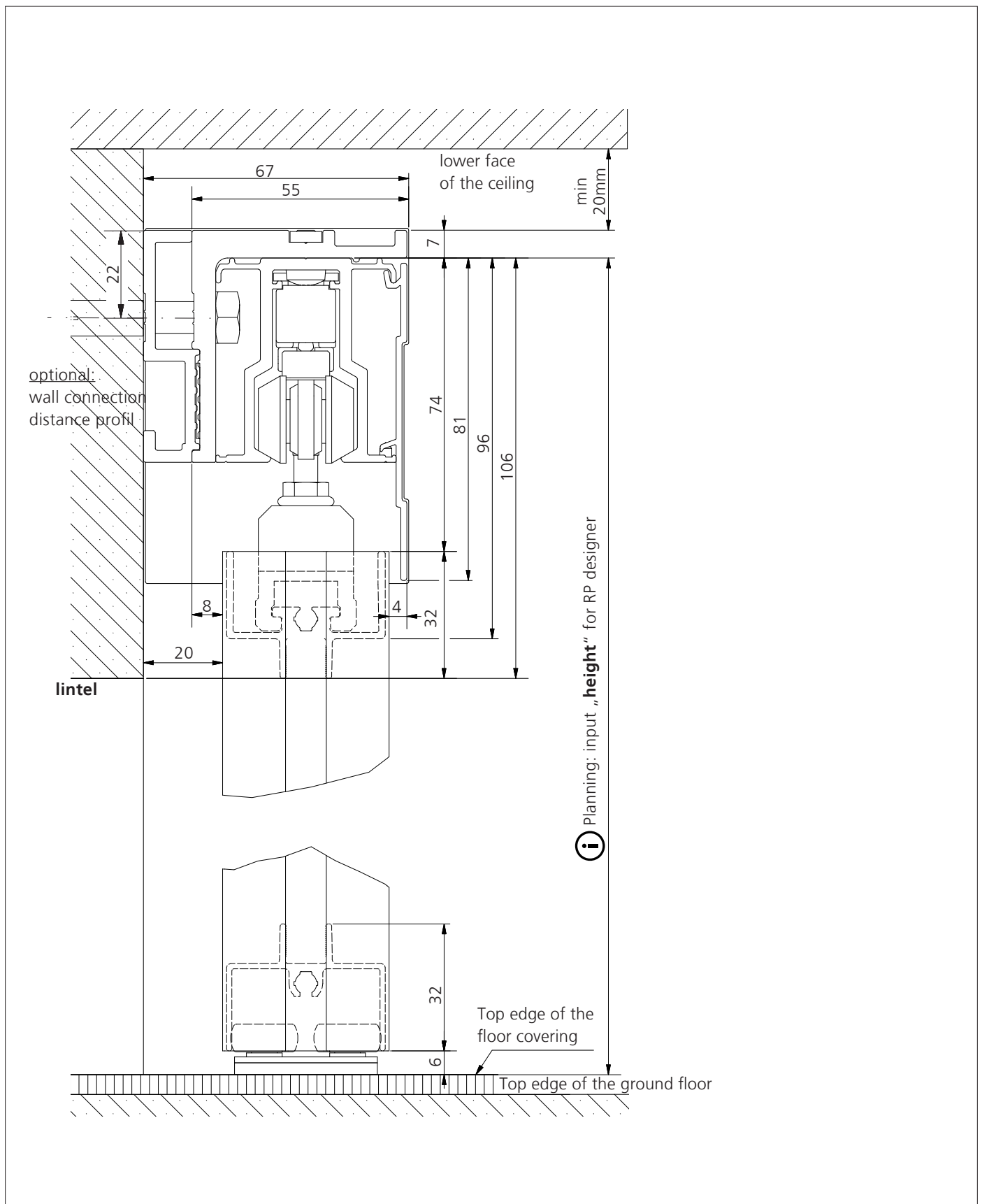
## CEILING MOUNTING



1\_

# DETAIL DRAWING

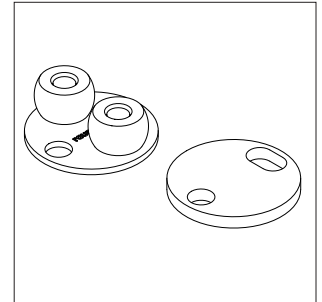
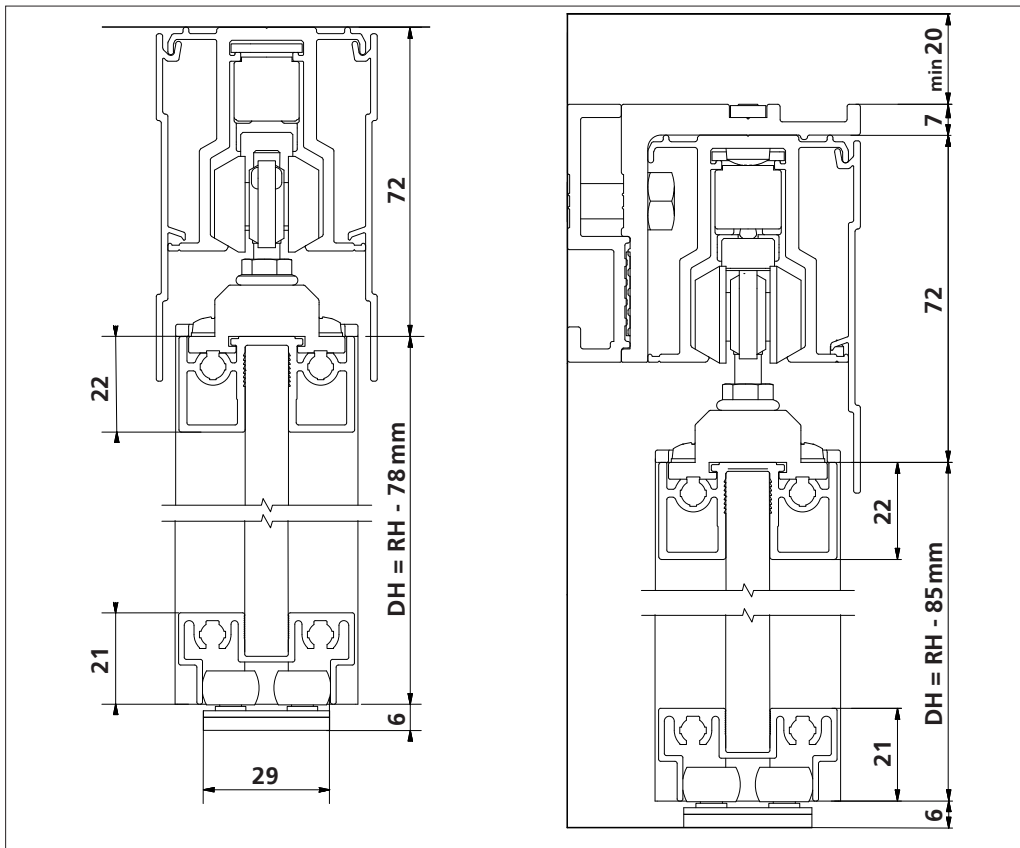
## WALL MOUNTING



2\_ Determine the planned view underneath the lintel

# INSTALLATION INSTRUCTION

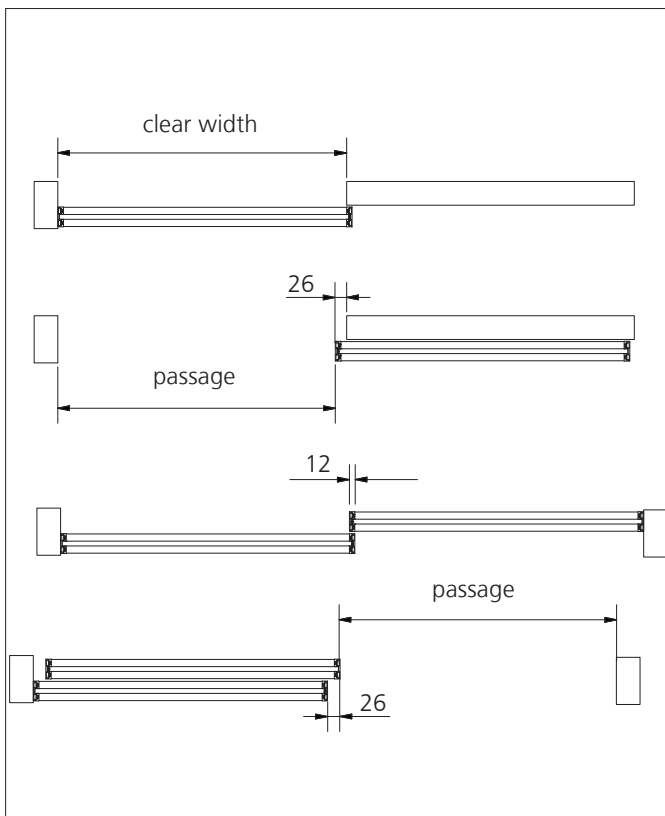
SERIES 1200



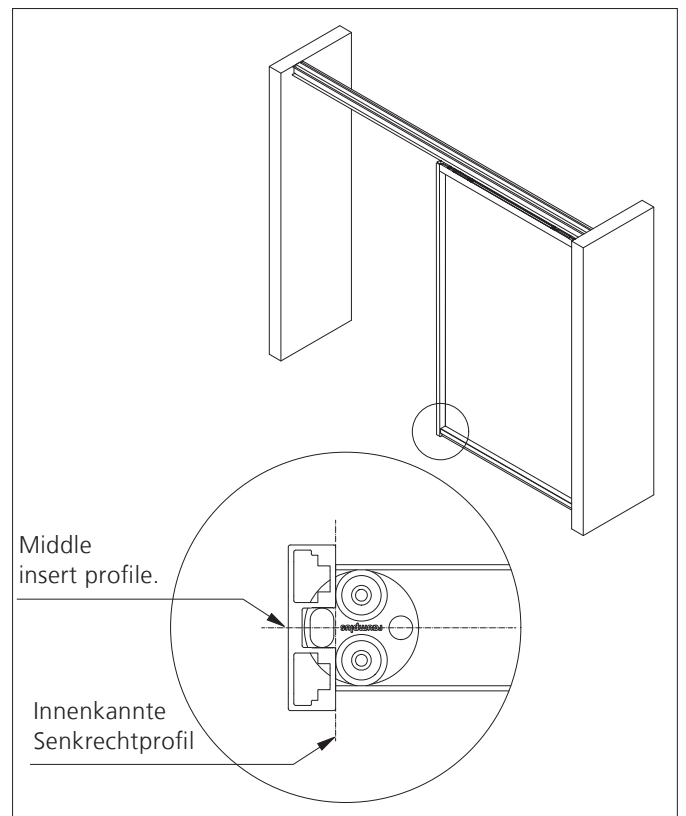
Ground plate with bearing /  
distance plate 3 mm  
10.06.033 / 10.06.035

DH = door height  
RH = room height

1\_ S1200 mounted to the ceiling / to the wall.



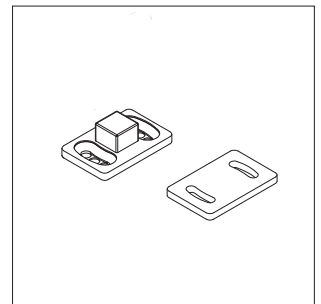
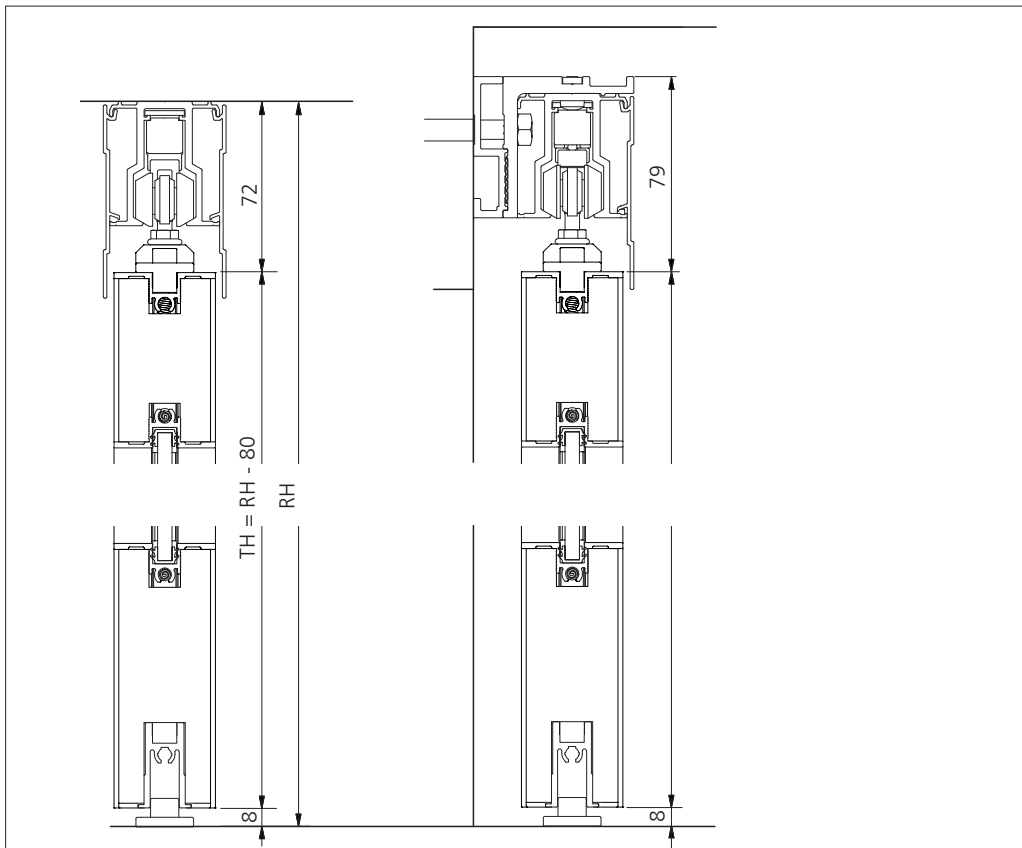
2\_ Overlapping



3\_ Position of the bottom guiding.

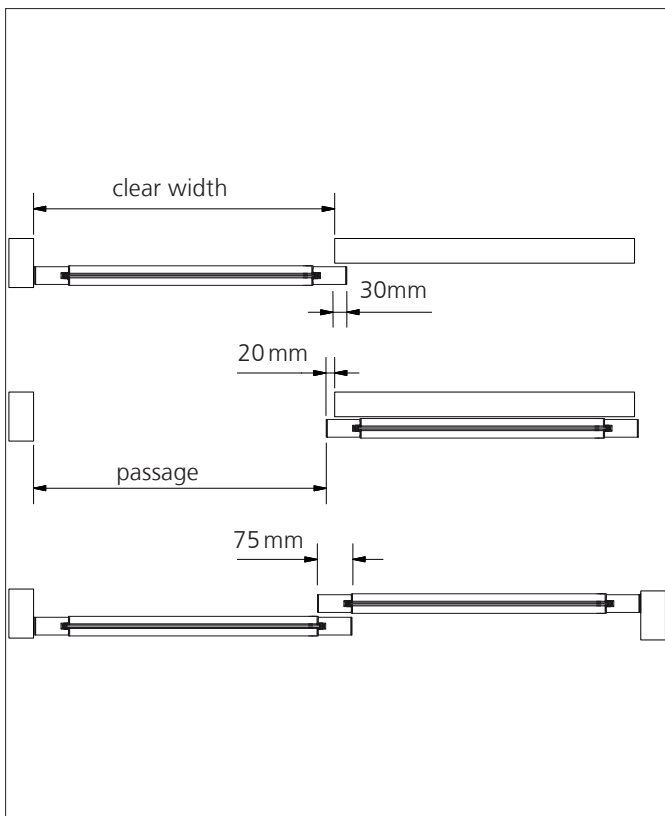
# INSTALLATION INSTRUCTION

SERIES C 42

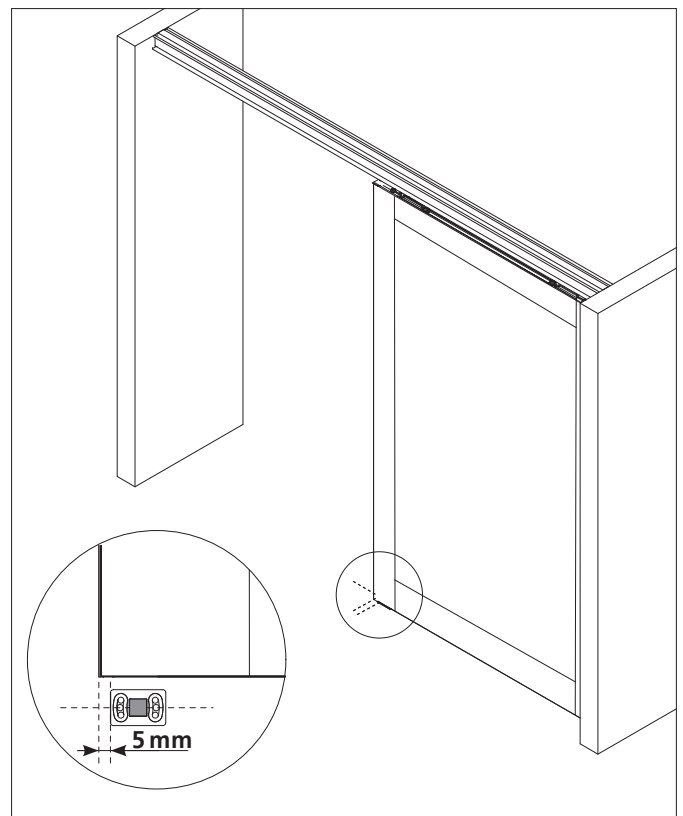


bottom guiding 12 mm AIR /  
distance plate for guiding  
10.05.047 / 10.05.048

1\_ C 42 mounted to the ceiling / to the wall.



2\_ Overlapping

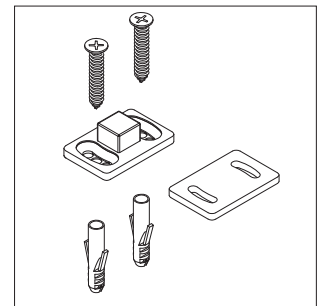
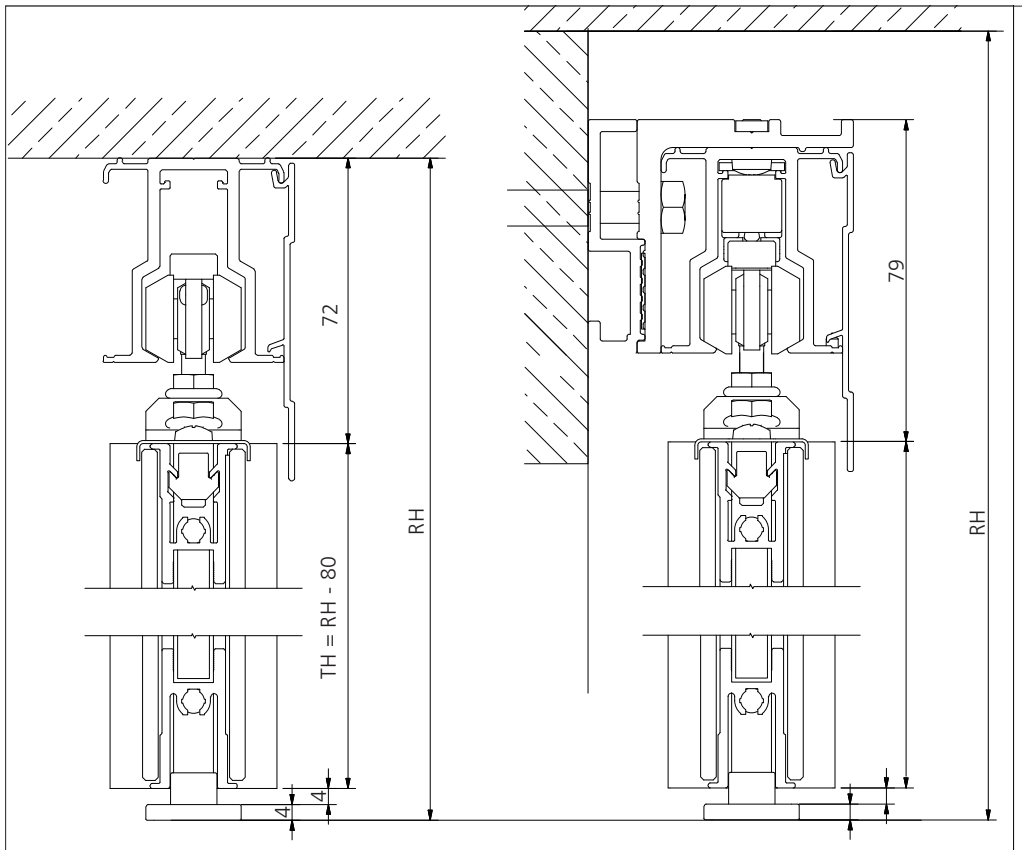


3\_ Position of the bottom guiding.



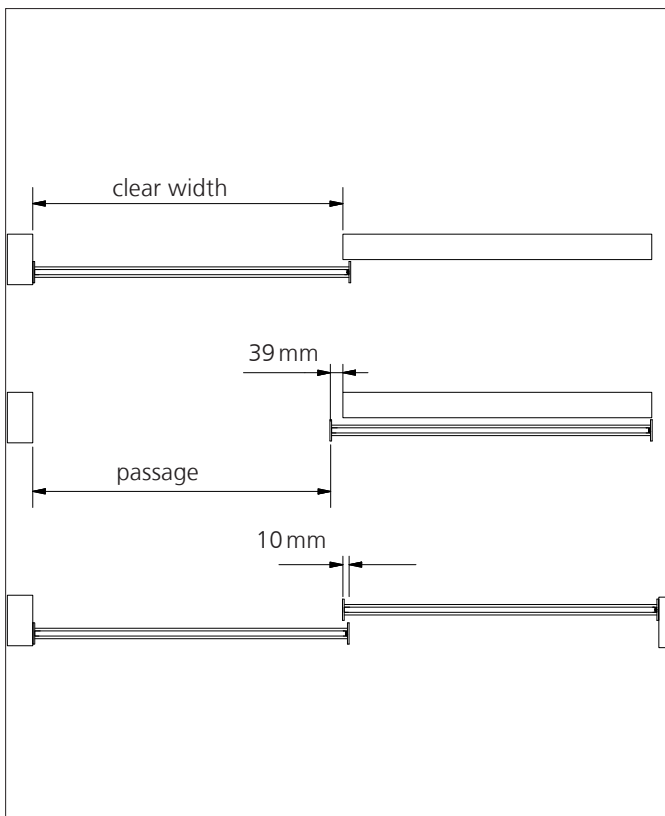
# INSTALLATION INSTRUCTION

SERIES C 42

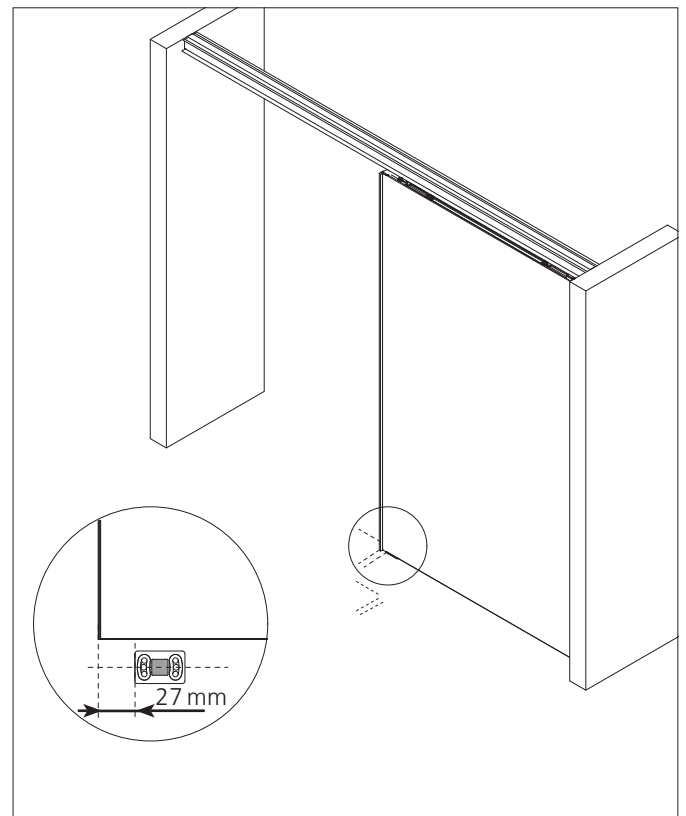


bottom guiding 12 mm AIR /  
distance plate for guiding  
10.05.047 / 10.05.048

1\_ C 42 mounted to the ceiling / to the wall.



2\_ Overlapping



3\_ Position of the bottom guiding.