

# HINGE DOOR: INSTALLATION INSTRUCTION

## ALUMINUM FRAME HINGE DOOR RPS

Version 1.1 (2017-03-30)

2.30.2.c



Subject to technical changes.

**raumplus**

# CONTENT AND TOOLS

## CONTENT:

Content and tools	page	02
Product information	page	03
Accessories	page	05
Detail drawings	page	06
Installation instruction	page	07
Detail drawings Release device application	page	09

## TOOLS:

(without claim of completeness)

- Allen key set
- Screwdriver set
- Water level



### VERSION INFORMATION:












Version 1.1: System information adapted

# PRODUCT INFORMATION

## GENERAL INFORMATION: Preparation

- This manual is part of the product and describes the safe and proper installation of the system. Please read the instructions carefully before installation
- Please note that the assembly should only be done by qualified and trained staff in strict compliance with all details indicated in this document. Improper installation in variation from manufacturer's specification may cause defects and danger, thus endangering the safe fixing of the product as well as the safety of the prospective user. The liability of the manufacturer shall be excluded in case of defects and consequential damages resulting from incorrect assembly of this product.
- Please check the completeness of the delivered parts and check carefully if any transport damages are visible.
- If any parts are damaged or lost, please immediately contact the responsible supplier.
- It is assumed that you have exactly identified all cutting dimensions according to the measurement instruction for **raumplus** products.

## SYMBOLE:

Symbol	Importance	Symbol	Importance
	Risk or danger!		During the installation do not use a striking tool
	Advice and information		No leverage tool for disassembly of fittings
	Additional information / other documents		Be aware of the risk of entrapment.
	Directional data / direction of movement		do not enter!
	„yes“ and „right“		
	„no“ and „wrong“		
	Follow the order		

## SYSTEM:

### System Information: RPS

- max. weight of element = **20 kg**
- min./max. door height = **300 mm / 2500 mm**
- min./max. door width = **300 mm / 620 mm**

# PRODUCT INFORMATION

## GENERAL INFORMATION: **Product safety**

- The system complies with the prior of the art and the authorized safety rules at the time of delivery.

## USE:

### Intended use

- The prerequisite for the intended use of our products is the professional installation according to our installation instruction. Sufficient fittings must be available and durably installed to all relevant places. The function of the fittings must not be hindered or altered during installation.
- Special solutions are only possible in consultation with **raumplus**.

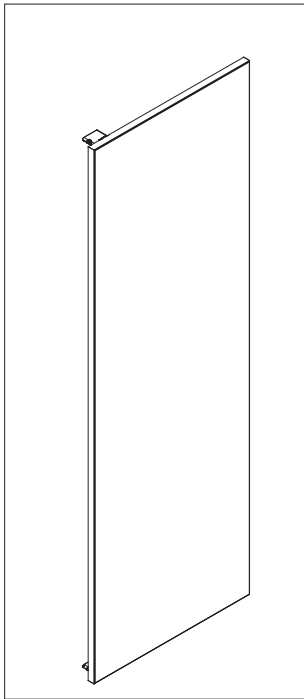
### Incorrect use

- Risk or danger may occur in the following cases:
  - the door system has improperly been installed or maintained
  - the safety and installation instructions have not been followed.
  - after improper installation or inadequate fixing (e.g. to parts of buildings)
  - the maximum weight of the doors has been exceeded.
  - improper shock and case loads or other additional loads on the fittings have occurred
  - the fittings have been used outside.
  - body parts or objects got into the closing edges or door runnings during use of the door wing.
  - the door system is not used as intended.

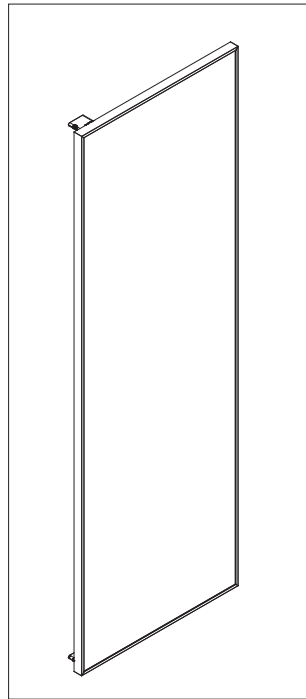
### Structural modifications

- Structural modifications that are not offered as an accessory from **raumplus** may only be attached or installed with permission of **raumplus GmbH!**

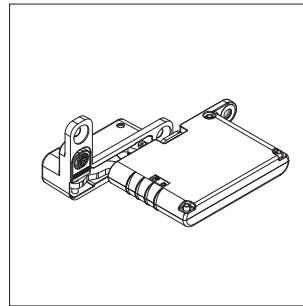
# ACCESSORIES



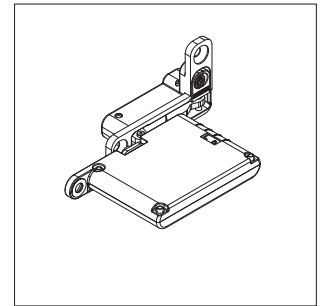
1\_



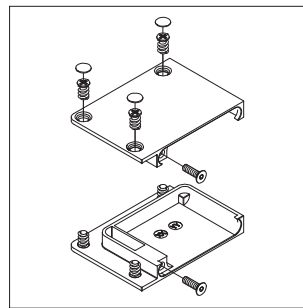
2\_



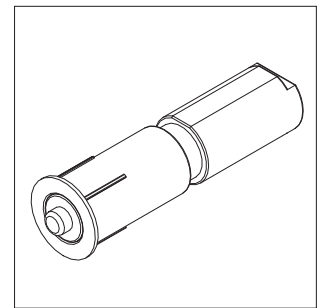
3\_



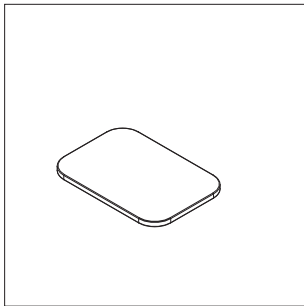
4\_



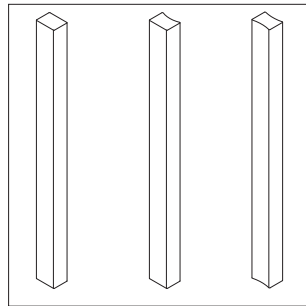
5\_ 10.52.01x



6\_ 10.52.024



7\_ 10.52.025



8\_

1\_ Frame profile **22,5** mm, RPS

2\_ Frame profile **29** mm, RPS

3\_ Hinge bottom right/top left nickel fin./ p2o (10.52.021)  
 Hinge bottom right / top left titanium fin./ p2o (10.52.023)  
 Hinge bottom right / top left nickel fin./soft close (10.52.031)  
 Hinge bottom right / top left titanium fin./soft close (10.52.033)

4\_ Hinge bottom left / top right nickel fin./ p2o (10.52.020)  
 Hinge bottom left / top right titanium fin./ p2o (10.52.022)  
 Hinge bottom left / top right nickel fin./ soft close (10.52.030)  
 Hinge bottom left / top right titanium fin./soft close (10.52.032)

5\_ Adapter plate set RPS

6\_ Magnetic push p2o grey

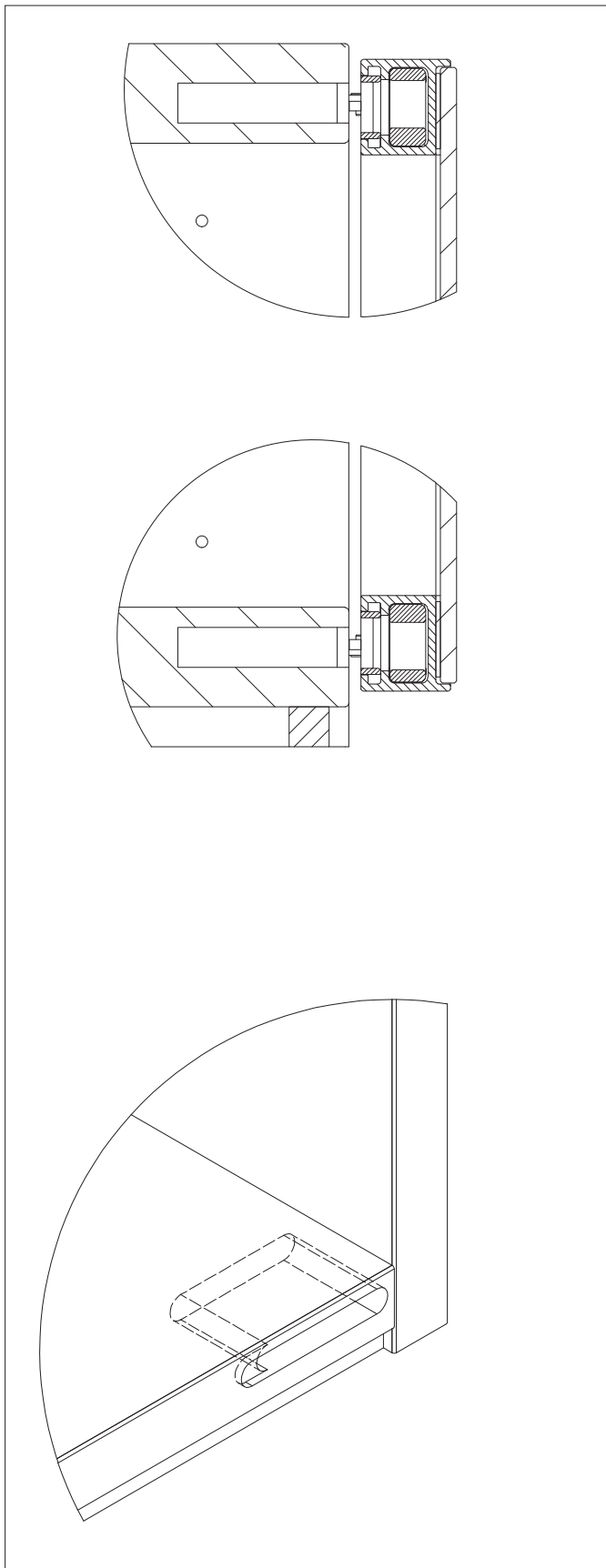
7\_ Locking plate self adhesive p2o

8\_ Handle rectangular (10.01.91x)  
 Concave handle one-sided (10.01.92x)  
 Concave handle both sides (10.01.93x)

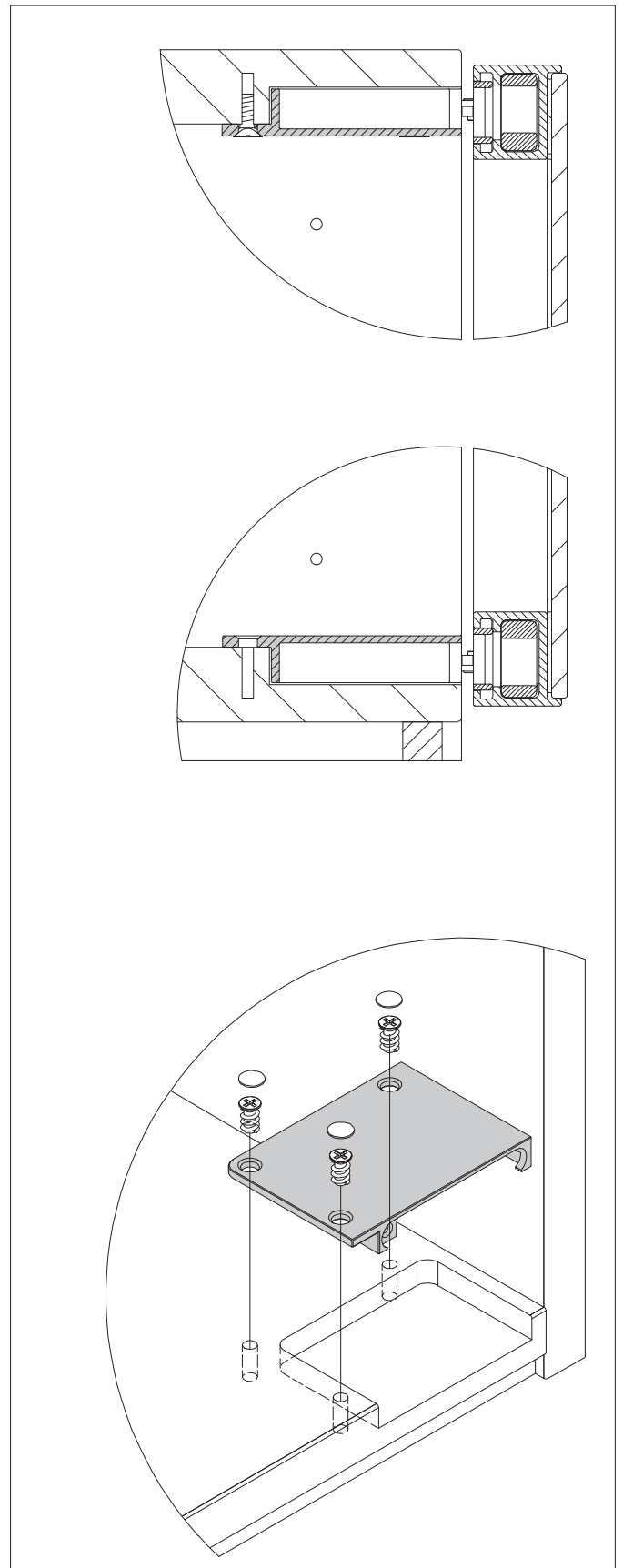
For coloured surfaces please ask your dealer.

# DETAIL DRAWING

## CORPUS VARIANTS



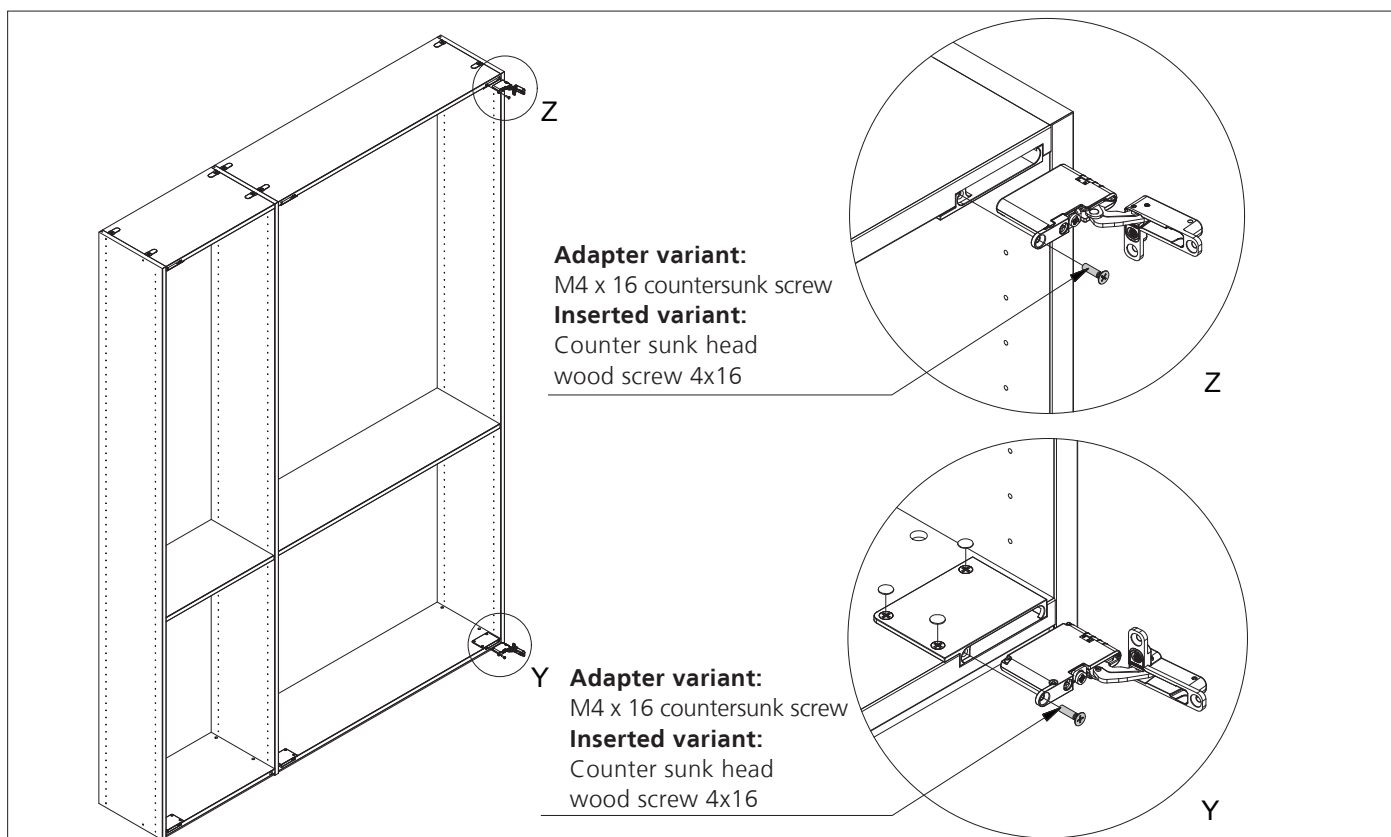
1\_ Inserted variant



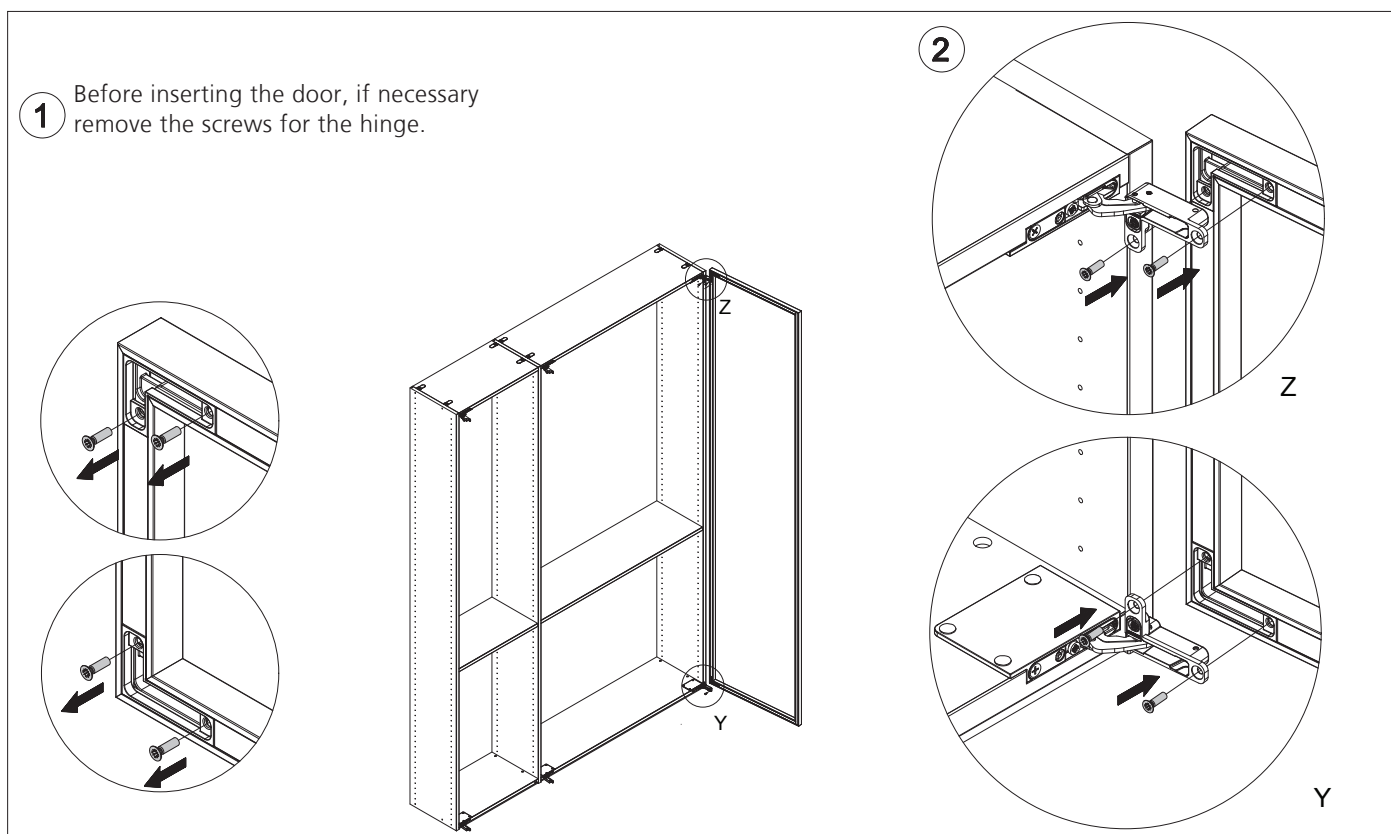
2\_ Adapter variant

# INSTALLATION INSTRUCTION

## INSTALLATION OF DOOR



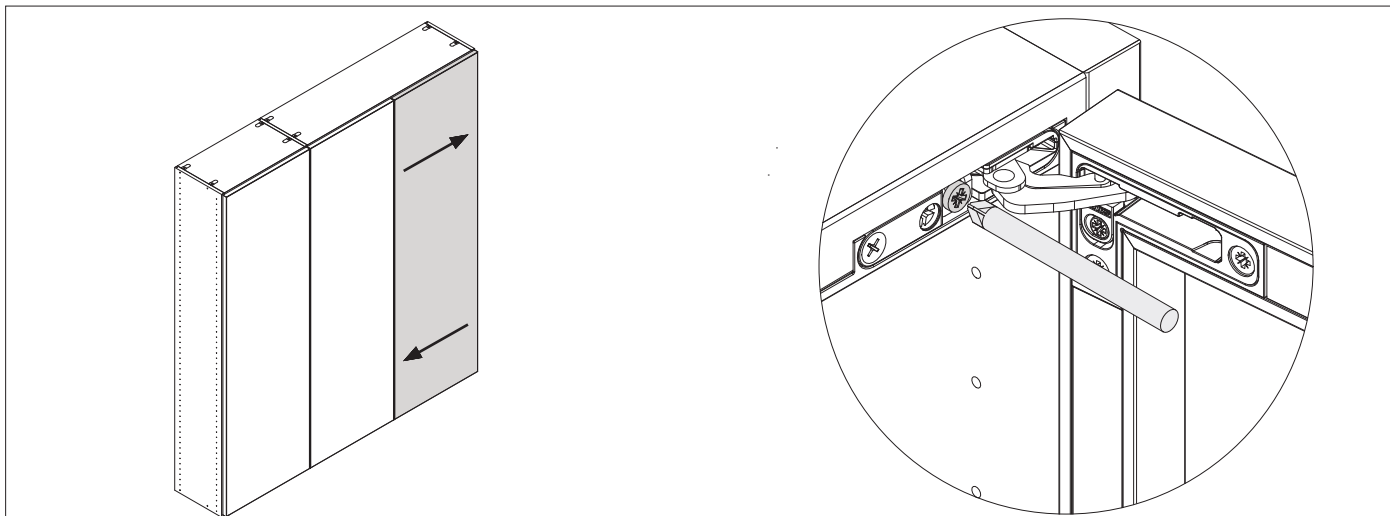
1\_ Insert the hinges in the corpus



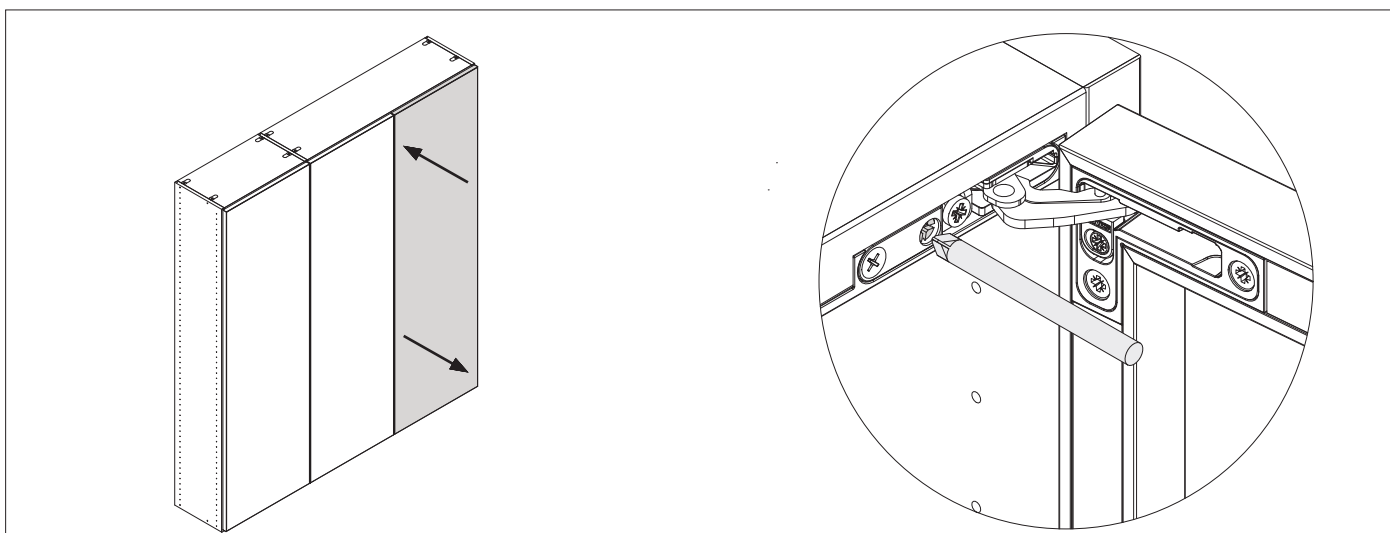
2\_ Insert the door

# INSTALLATION INSTRUCTION

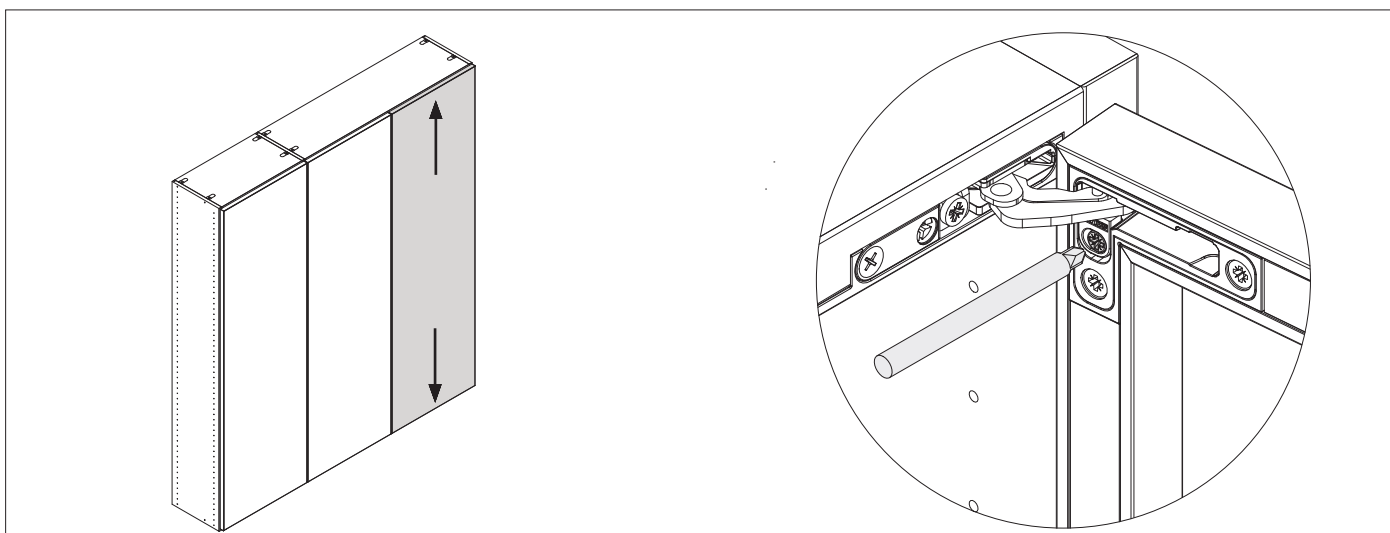
## ADJUST THE DOOR



1\_ Side adjustment **+2 mm** to **-2 mm**



2\_ Depth adjustment **+2 mm** to **-0,5 mm**



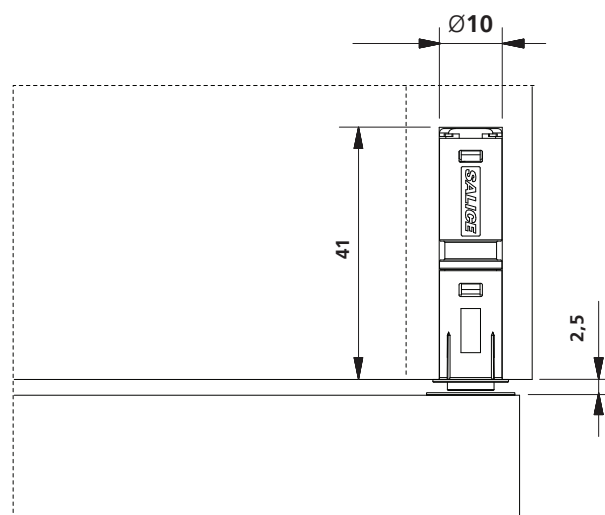
3\_ Height adjustment **+1,5 mm** to **-1,5 mm**



# DETAIL DRAWING

## MAGNETIC PUSH P20 GREY

Drill a hole  $\varnothing$  10 mm and min. 40 mm depth in the top, the side or the base panel of the cabinet.  
Insert the release device into the hole..



For the position of the hole note the following instructions:  
Aluminium frame hinge door RPS Planning

### 1\_ Application of the release device

Apply the retaining catch to the magnetic release device. Remove the protective strip from the adhesive. Close the door. In this way the retaining catch is positioned on the door. Reopen the door and apply a firm pressure to the retaining catch to ensure a correct installation.

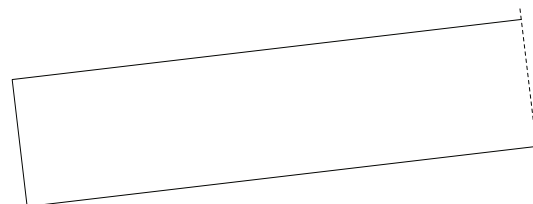
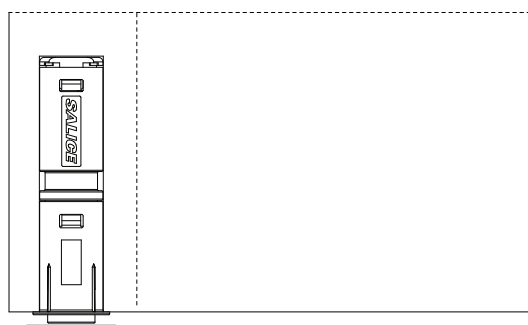
#### ATTENTION:

For a correct application and to ensure optimal endurance, we suggest these guidelines are followed:

- 1 - clean and degrease the door surface where the retaining catch is to be installed;
- 2 - remove the protective strip from the adhesive;
- 3 - place the retaining catch in position, in a place that is at room temperature  $\geq 10^\circ$  and apply a firm pressure for 10-15 seconds.

After few seconds from the installation the retaining catch is suitable for the use.

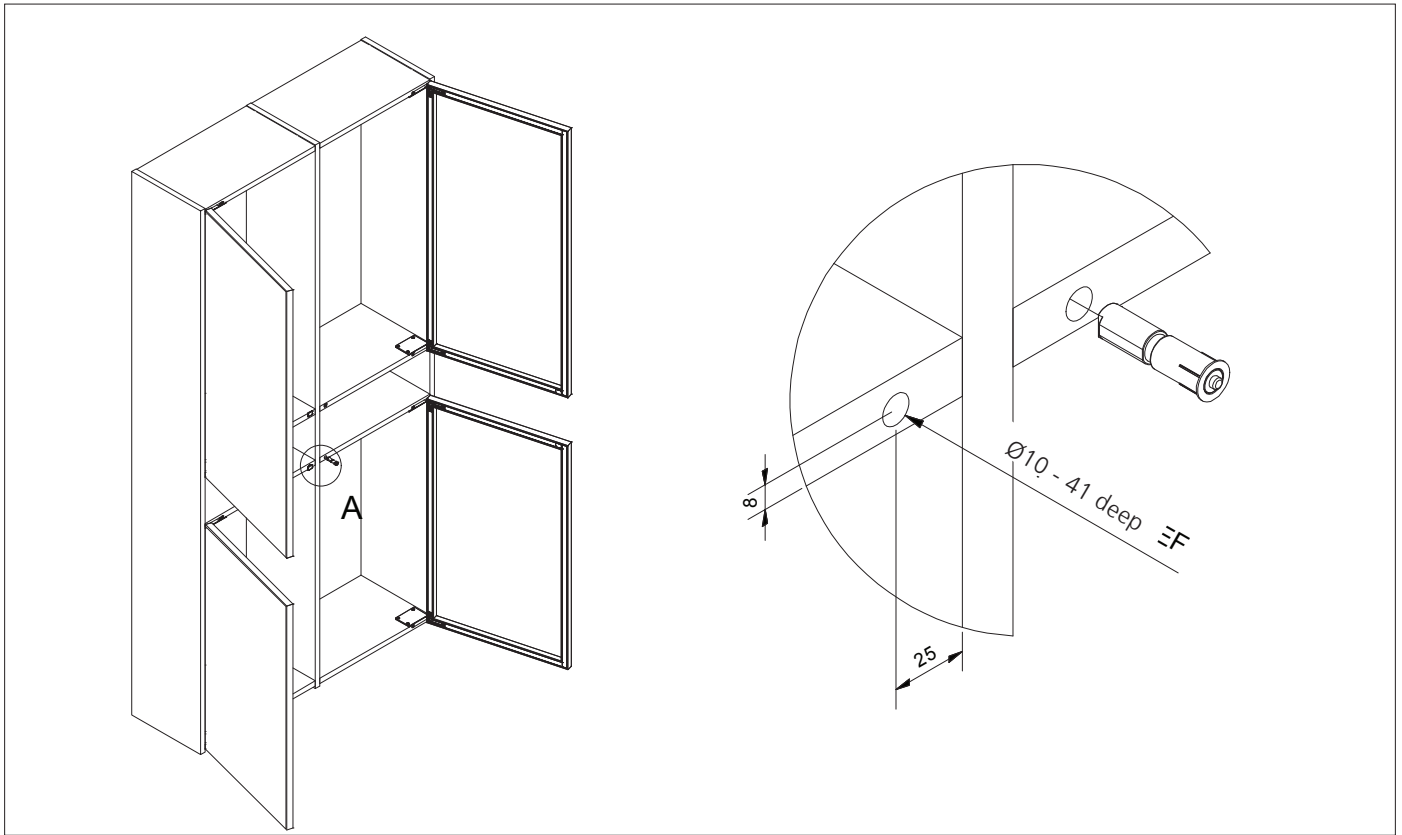
After 24h the max. hold is attained.



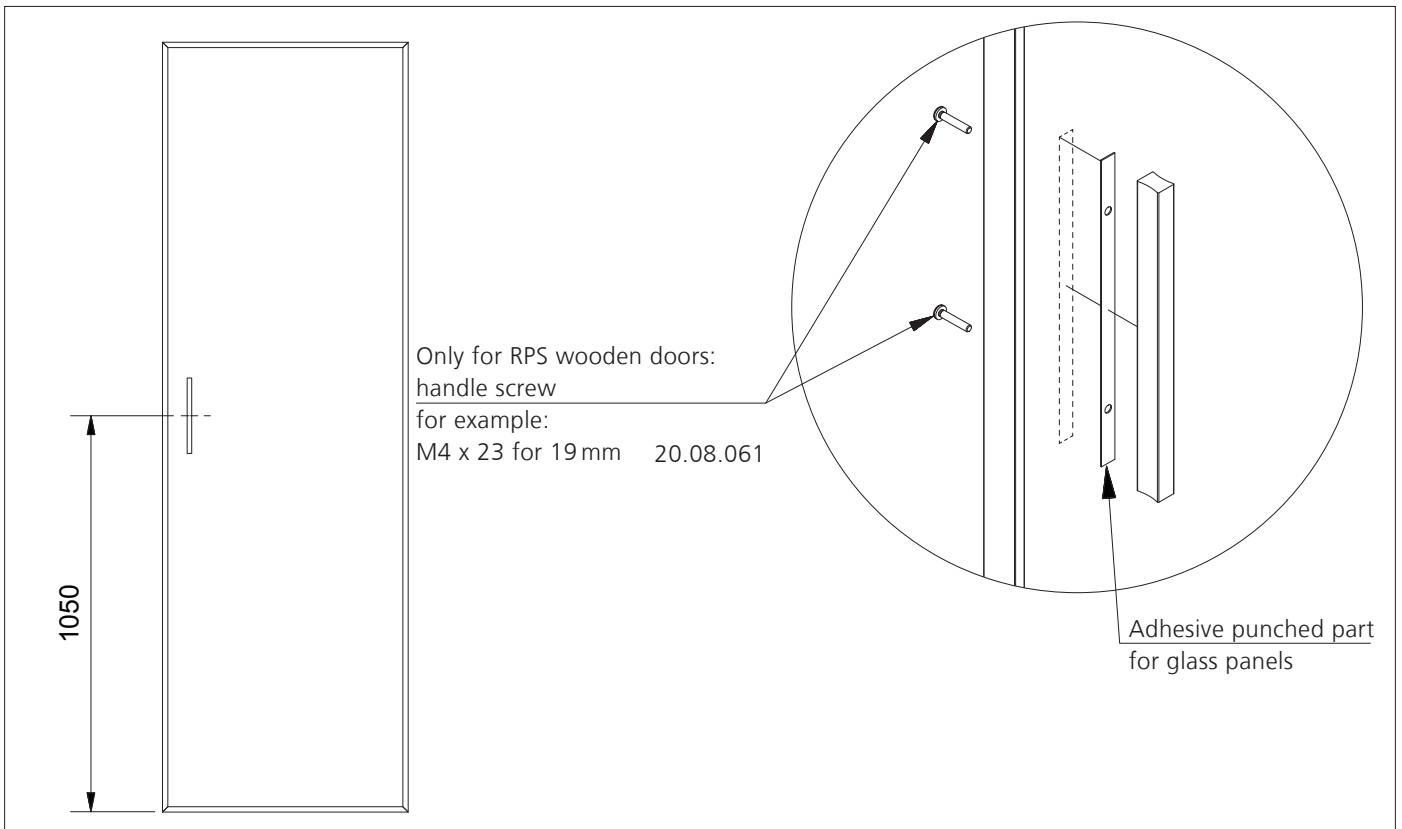
### 4\_ Retaining catch with adhesive strip

# DETAIL DRAWING

PUSH TO OPEN / HANDLE



1\_ Installation release device for push to open hinges



2\_ Sticking the handle