

SLIDING DOOR: PLANNING

SYSTEM AIR-B SYNCHRO S 1200

Version 1.1 (2018-01-21)

1.03.4.c



Subject to technical changes.

raumplus[®]

CONTENT AND TOOLS

CONTENT:

Content and tools	page	02
Product information	page	03
Accessories AIR-B Synchro S1200	page	05
Accessories AIR-B Synchro S1200 with GTB	page	06
Measurement	page	07
Detail drawings	page	09
AIR-B Synchro S1200	page	14
AIR-B Synchro S1200 with GTB	page	15
Cutting dimensions profiles	page	16
Cutting dimension panel / mirror	page	17
Stopper for top track	page	18

TOOLS:

(without claim of completeness)

Aluminium saw
Pencil
Drill set (metall)
Drilling machine
Rubber mallet

Allen key set
Straight edge (optionally)
Wire cutting pliers
Water level



VERSION INFORMATION:








Version 1.1: S 1200 with bearing / data & illustration added & Instruction for stoppoint

PRODUCT INFORMATION

GENERAL INFORMATION: Preparation

- This manual is part of the product and describes the safe and proper installation of the system. Please read the instructions carefully before installation
- Please note that the assembly should only be done by qualified and trained staff in strict compliance with all details indicated in this document. Improper installation in variation from manufacturer's specification may cause defects and danger, thus endangering the safe fixing of the product as well as the safety of the prospective user. The liability of the manufacturer shall be excluded in case of defects and consequential damages resulting from incorrect assembly of this product.
- Please check the completeness of the delivered parts and check carefully if any transport damages are visible.
- If any parts are damaged or lost, please immediately contact the responsible supplier.
- It is assumed that you have exactly identified all cutting dimensions according to the measurement instruction for **raumplus** products.

SYMBOLE:

Symbol	Importance
	Risk or danger!
	Advice and information
	Additional information / other documents
	Directional data / direction of movement
	„yes“ and „right“
	„no“ and „wrong“
	Follow the order

SYSTEM:

System Information: System AIR-B S1200

- max. weight of element = **60 kg**
- min./max. door height = **700 mm / 2750 mm**
- min./max. door width = **500 mm / 1400 mm**

PRODUCT INFORMATION

GENERAL INFORMATION: **Product safety**

- The System AIR-B S 1200 complies with the prior of the art and the authorized safety rules at the time of delivery.

USE:

Intended use

- The prerequisite for the intended use of our products is the professional installation according to our installation instruction. Sufficient fittings must be available and durably installed to all relevant places. The function of the fittings must not be hindered or altered during installation.
- Special solutions are only possible in consultation with **raumplus**.

Incorrect use

- Risk or danger may occur in the following cases:
 - the door system has improperly been installed or maintained
 - the safety and installation instructions have not been followed.
 - after improper installation or inadequate fixing (e.g. to parts of buildings)
 - the maximum weight of the doors has been exceeded.
 - improper shock and case loads or other additional loads on the fittings have occurred
 - the fittings have been used outside.
 - body parts or objects got into the closing edges or door runnings during use of the door wing.
 - the door system is not used as intended.

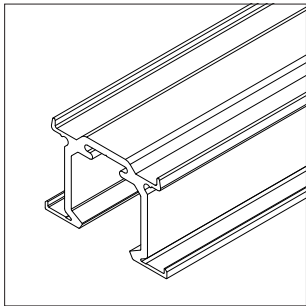
Structural modifications

- Structural modifications that are not offered as an accessory from **raumplus** may only be attached or installed with permission of **raumplus GmbH!**

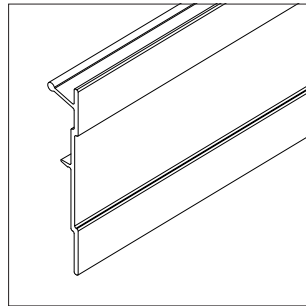
ACCESSORIES

AIR-B SYNCHRO S 1200

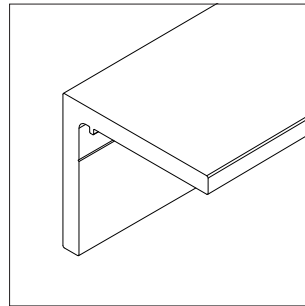
For colored surfaces please ask your dealer.



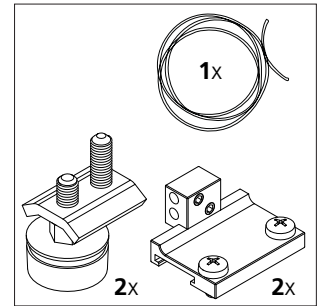
1_ 14.55.0xx



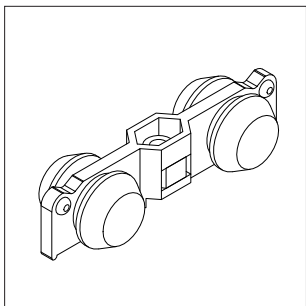
2_ 14.50.0xx



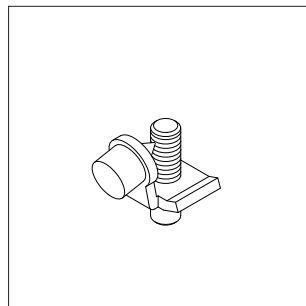
3_ 14.54.020



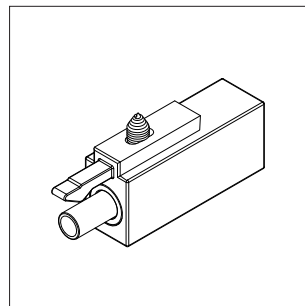
4_ 10.06.065



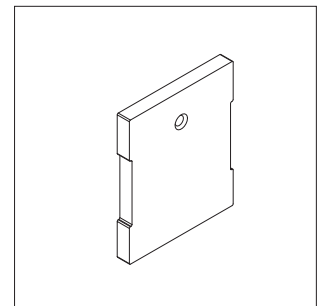
5_ 10.06.200



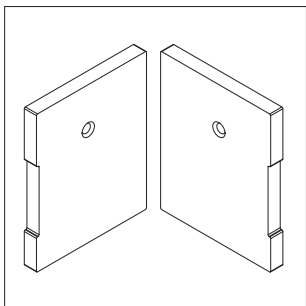
6_ 10.05.060



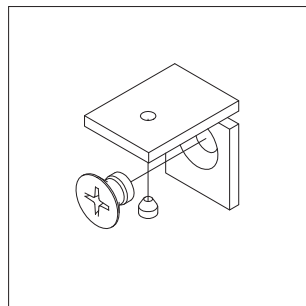
7_ 10.05.017



8_ 10.05.xx1



9_ 10.05.xx6 / 10.05.xx7



10_ 10.05.290

1_ Top track insert AIR

2_ Cover profile, 60mm

3_ Wall connection profile for AIR S42

4_ Synchro fitting S1200 AIR -B

5_ Top roller AIR

6_ Stopper for top roller AIR w/o brake

7_ Stopper for top roller AIR

8_ End cap for top track insert 40mm, AIR S42

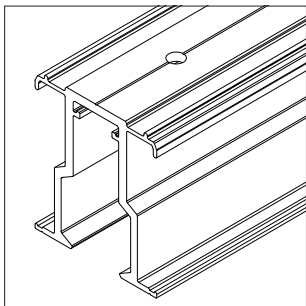
9_ End cap for wall connection profile AIR, left

10_ Connector for end cap AIR

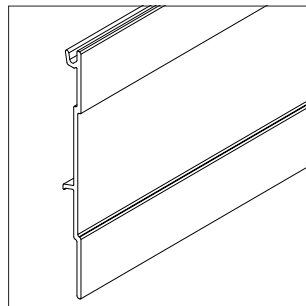
ACCESSORIES

AIR-B SYNCHRO S1200 WITH SLIDING DOOR BRAKE

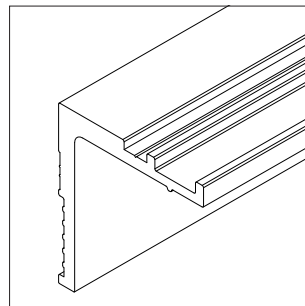
For colored surfaces please ask your dealer.



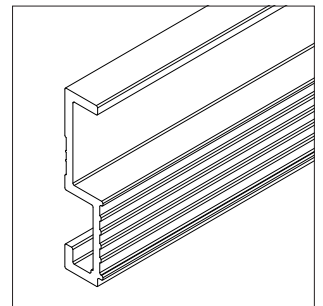
1_ 14.51.0xx



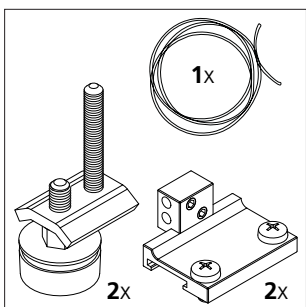
2_ 14.52.0xx



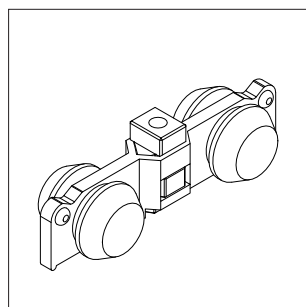
3_ 14.57.020



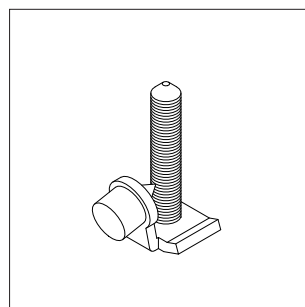
4_ 14.58.020



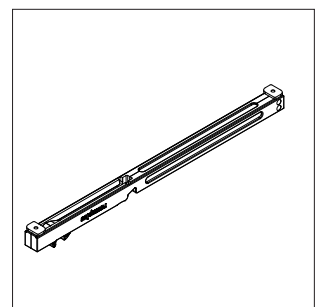
5_ 10.06.066



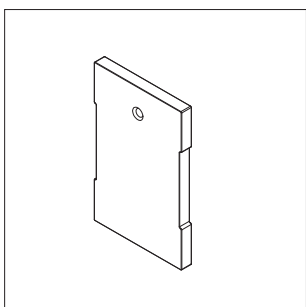
6_ 10.06.300



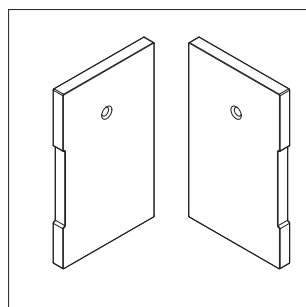
7_ 10.06.360



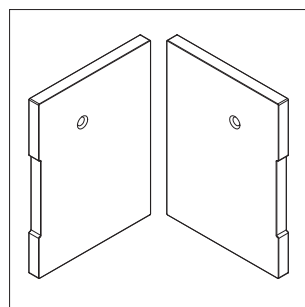
8_ 10.06.365



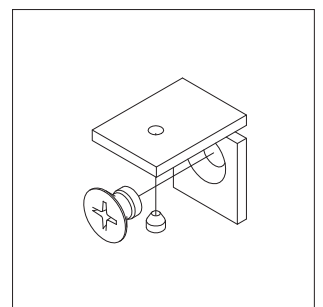
9_ 10.06.xx1



10_ 10.06.xx6 / 10.06.xx7



11_ 10.06.xx2 / 10.06.xx3



12_ 10.05.290

1_ Top track insert for AIR S42 with SDB

2_ Cover for insert profile AIR S42 with SDB 80 mm

3_ Wall connection profile S42 AIR SDB

4_ Wall connection distance profile AIR S 42 with SDB

5_ Synchro fitting S 1200 AIR with SDB

6_ Top roller SDB AIR

7_ Stopper for top roller with SDB AIR

8_ Sliding door brake AIR

9_ End cap for top track insert S42 SDB, single, 80 mm

10_ End cap for wall connection profile, left / right

11_ End cap for wall connection & distance profile, left / right

12_ Connector for end cap AIR

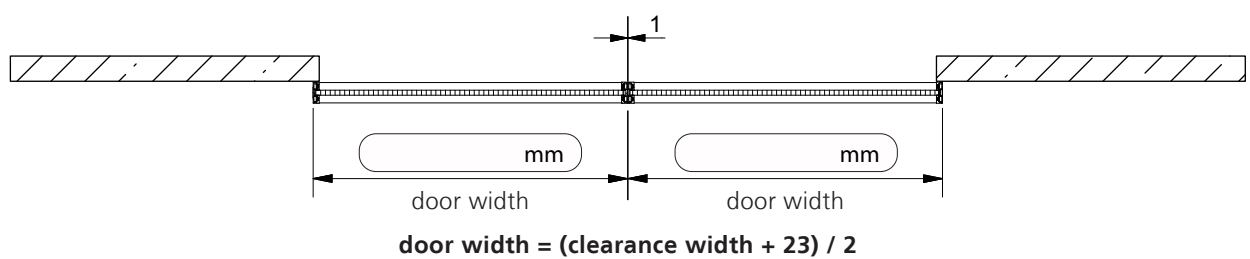
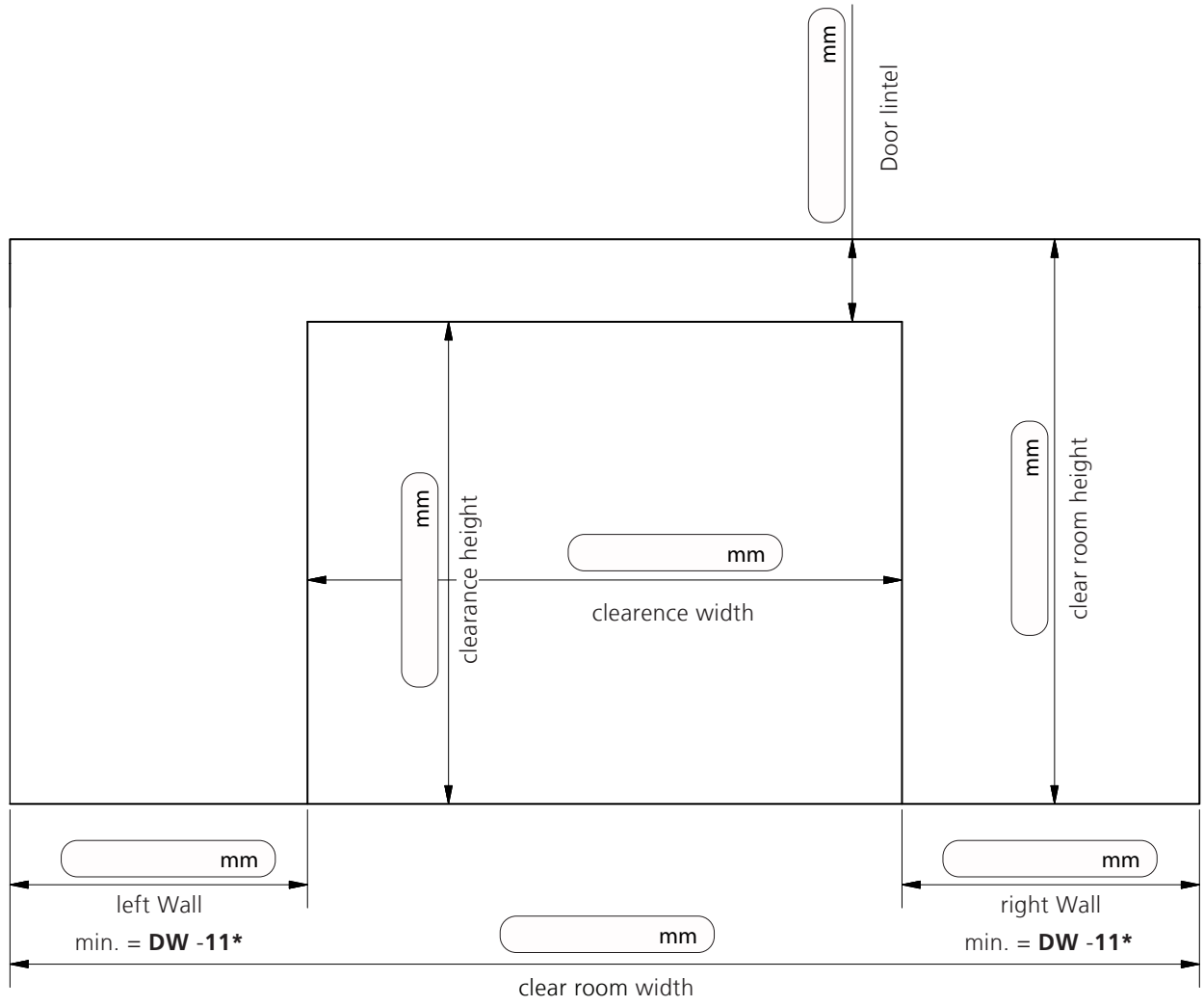
— **without illustration:**

13_ Screw DIN 914 M3x5
for attachment of the cover at the top track (10.06.350)

14_ Screw DIN 571 8 x 50
for Wall connection- and distance profile (recommended)

MEASUREMENT

AIR-B SYNCHRO S 1200

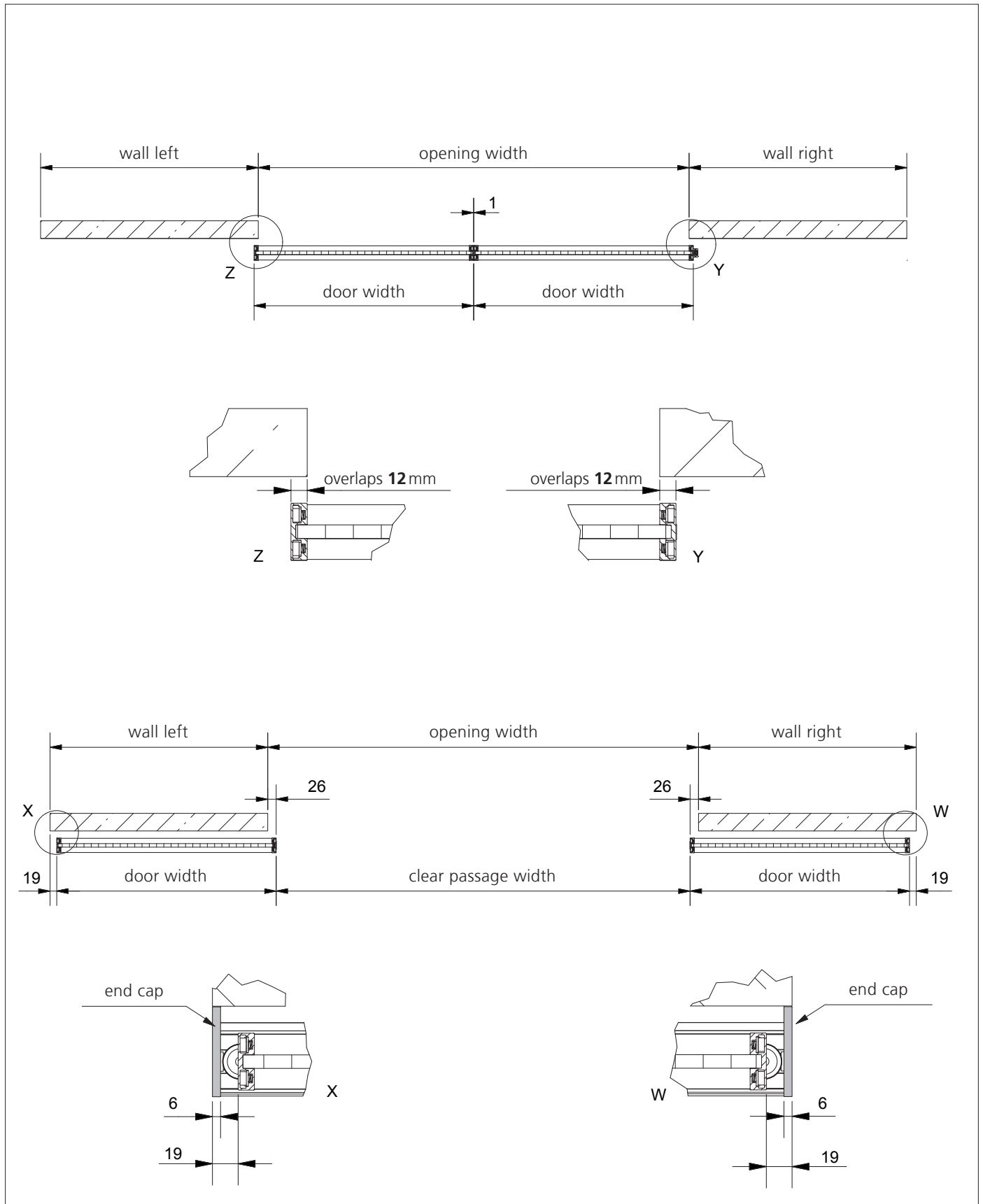


i If necessary + 6 mm for endcaps

1_ Calculation of the door width

OVERLAP RANGE

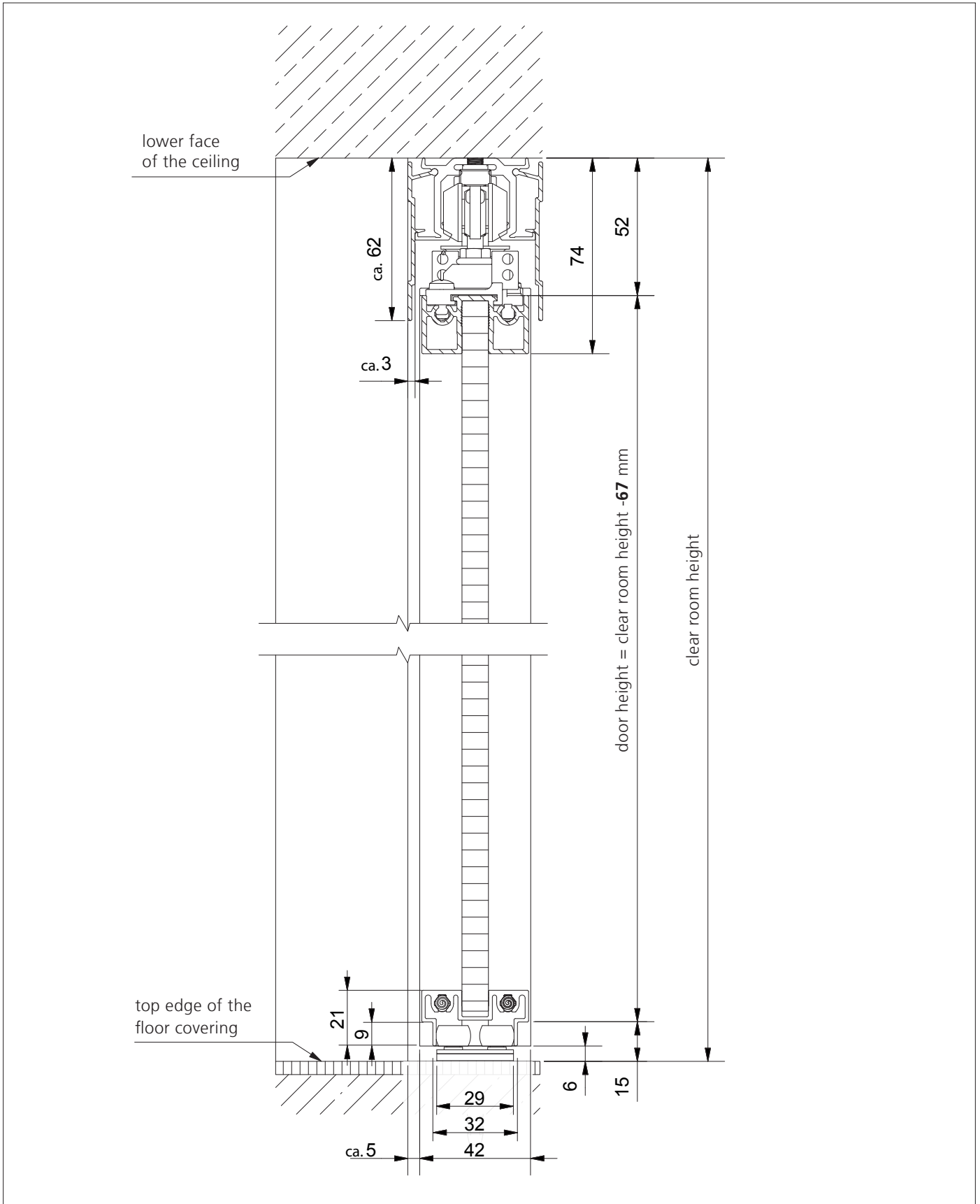
AIR-B SYNCHRO S 1200



1_ Calculation the passage width

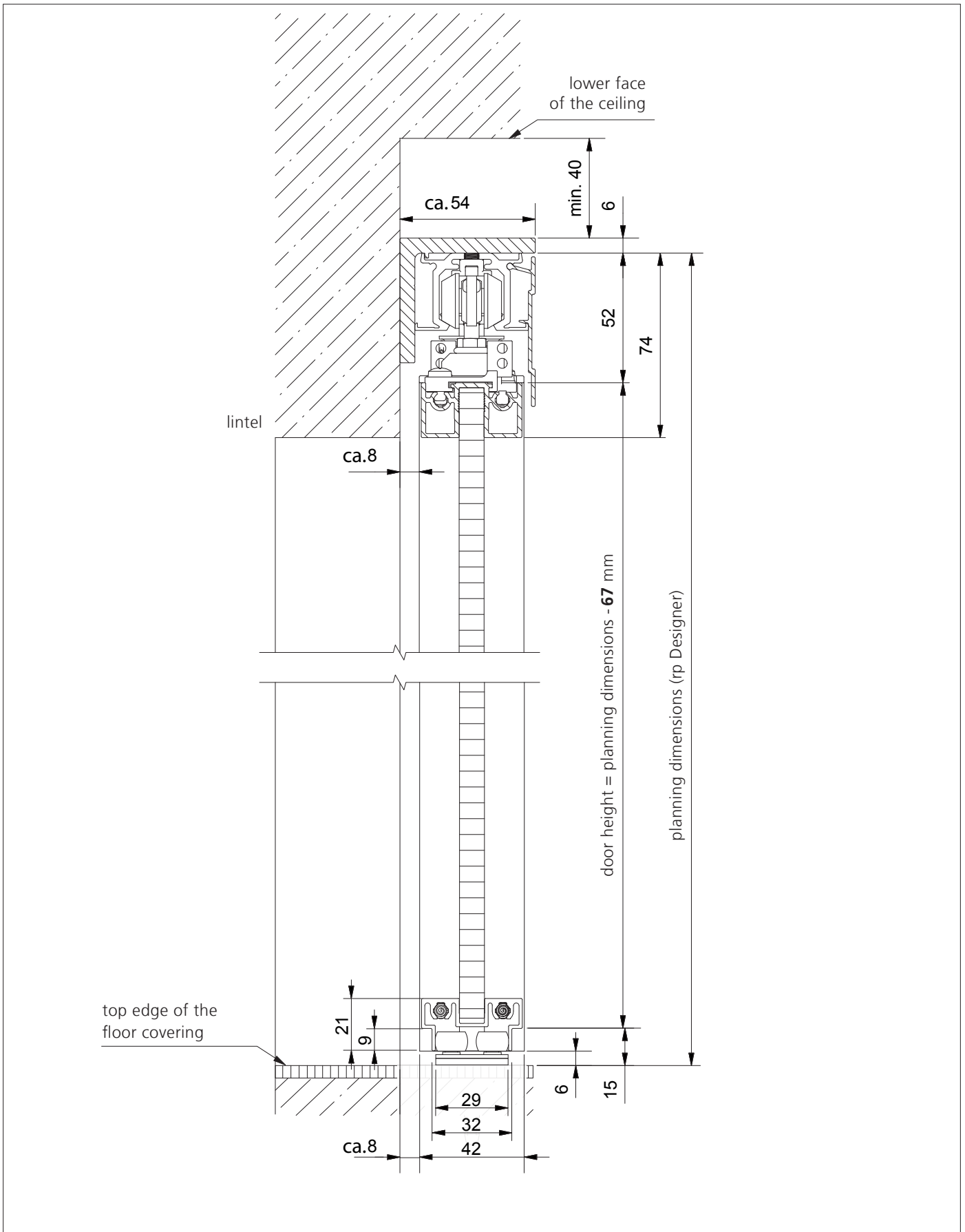
DETAIL DRAWING

VERTICAL SECTION AIR-B SYNCHRO S 1200



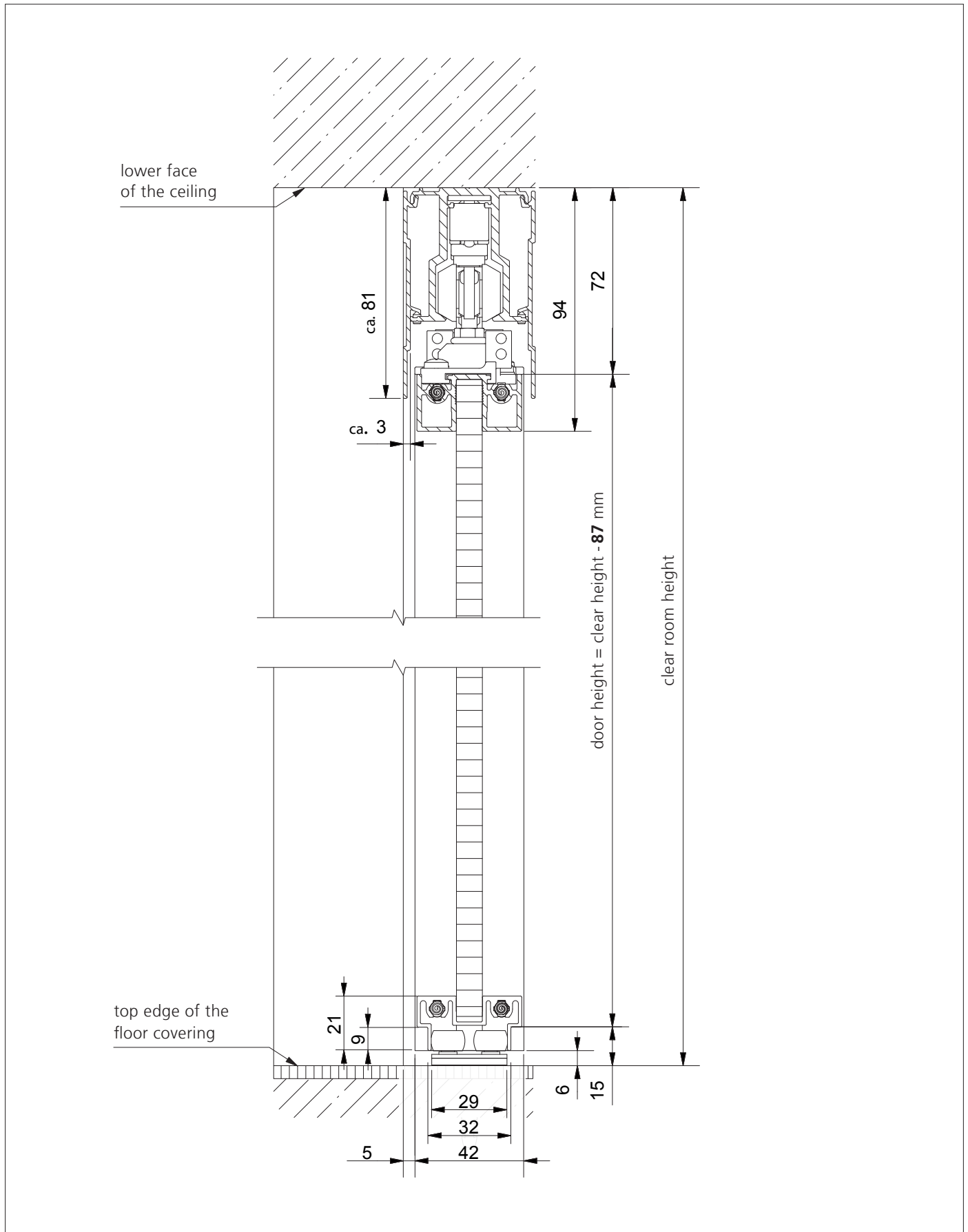
DETAIL DRAWING

VERTICAL SECTION AIR-B SYNCHRO S 1200 WITH WALL CONNECTION PROFILE



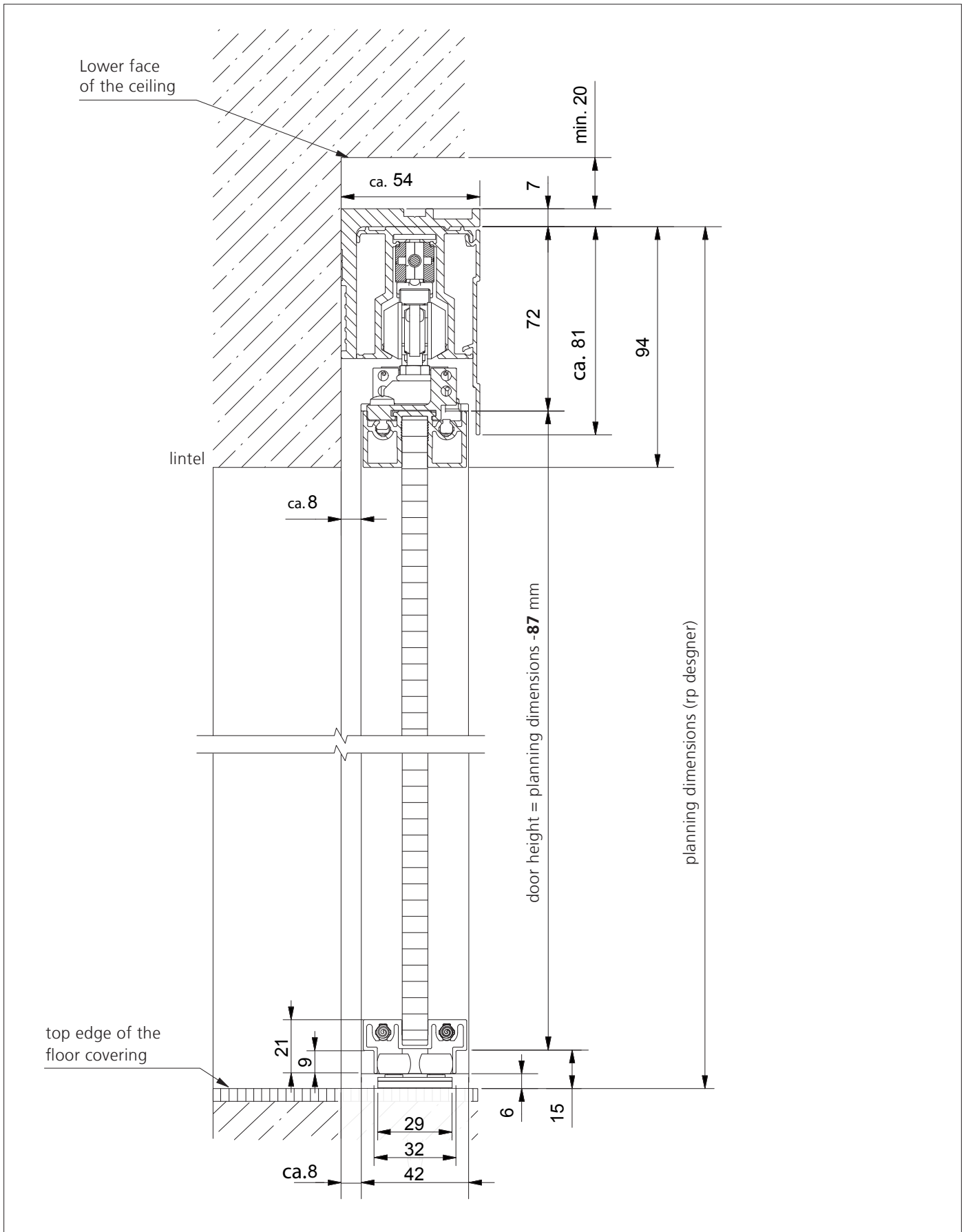
DETAIL DRAWING

VERTICAL SECTION AIR-B SYNCHRO S1200 WITH SLIDING DOOR BRAKE



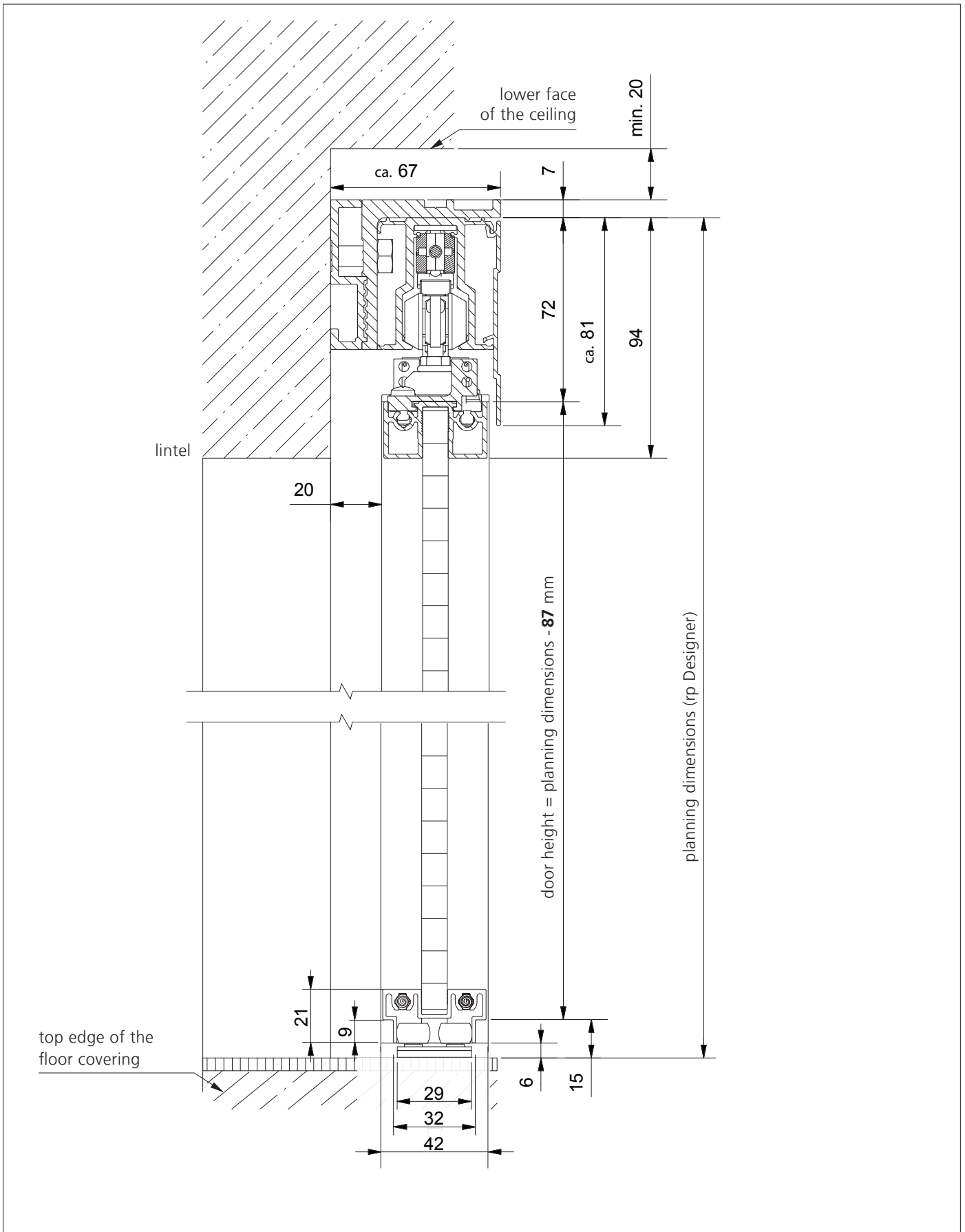
DETAIL DRAWING

VERTICAL SECTION AIR-B SYNCHRO **S1200** WITH **SLIDING DOOR BRAKE** AND **WALL CONNECTION** PROFILE



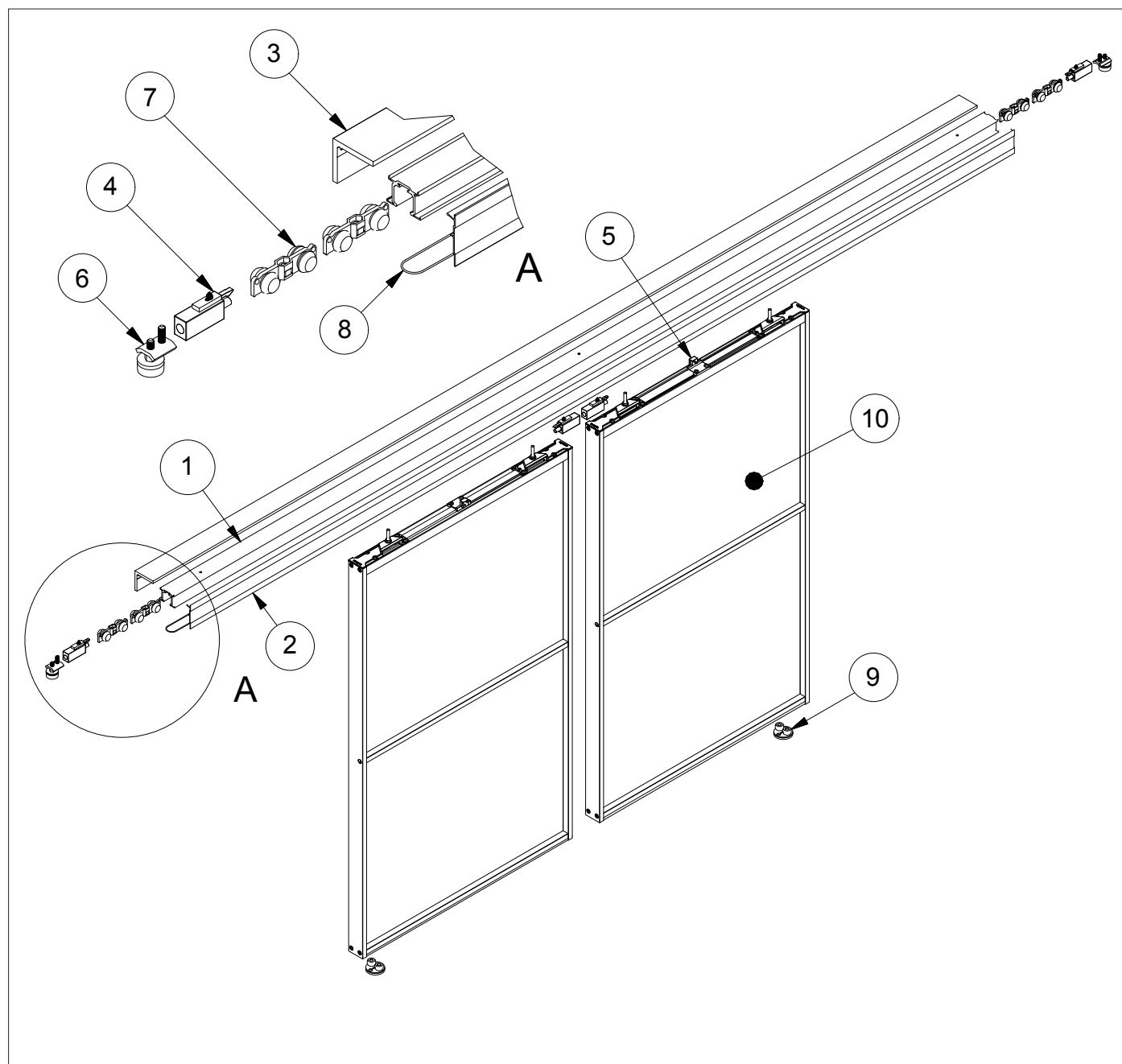
DETAIL DRAWING

VERTICAL SECTION AIR-B SYNCHRO **S1200** WITH **SLIDING DOOR BRAKE**, WALL CONNECTION
DISTANCE PROFILE AND WALL CONNECTION PROFILE



AIR-B SYNCHRO S 1200

EXPLODED DRAWING

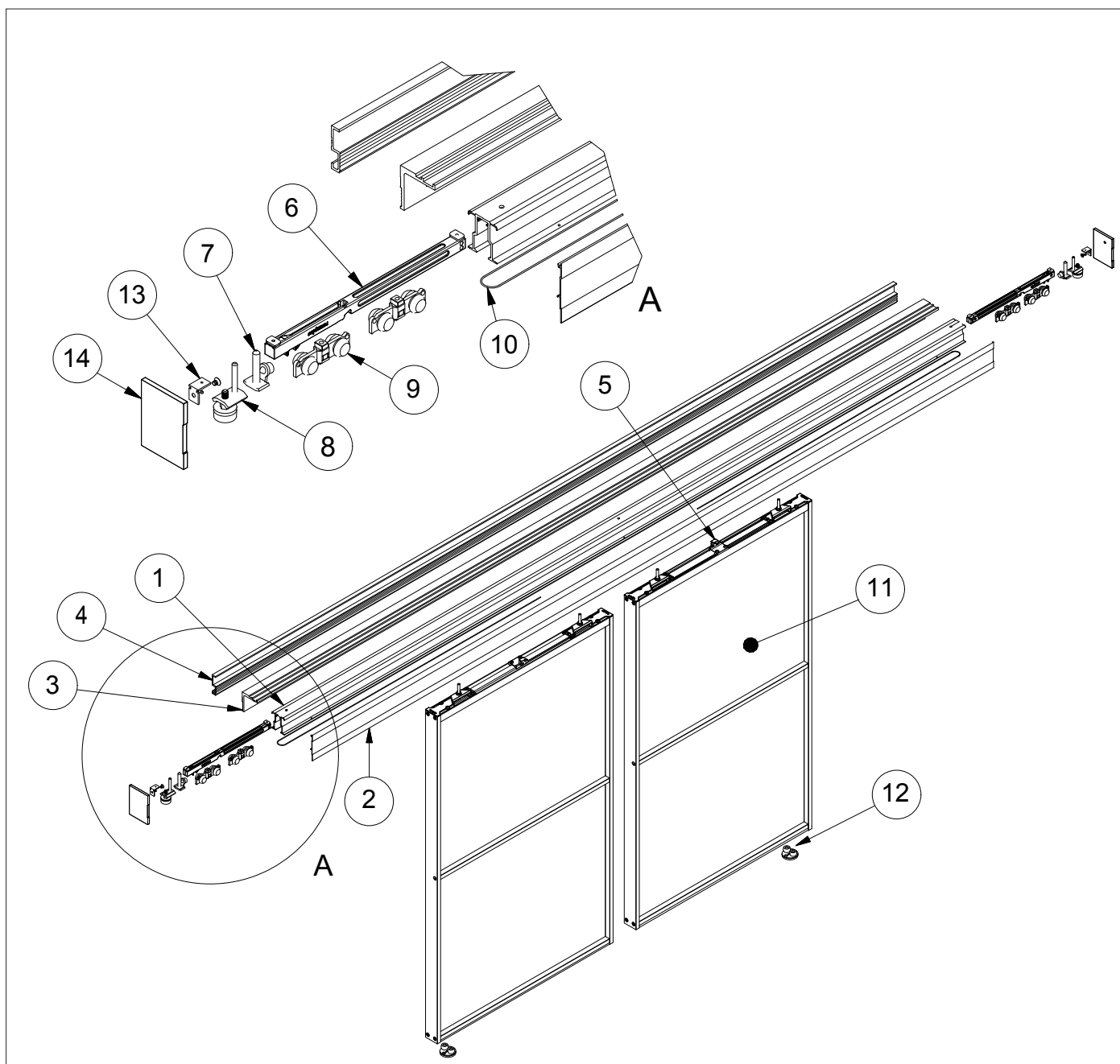


Item list

Object	Quantity	Item	Item no.
1	1	Top track insert AIR S 42	14.55.0xx
2	1	Cover profile, 60mm AIR	14.50.0xx
3	1	Wall conn. profile for air S 42	14.54.020
4	4	Stopper for top roller AIR	10.05.017
5	2	Door connector S 1200 for synchro fitting air, complete	10.06.065A
6	1	Synchro fitting S 1200 AIR	10.06.065
7	4	Top roller AIR	10.06.200
8	1	Wire for synchro	
9	2	Ground plate with bearing air S34 / air S1200 / Distance plate air S34 / S1200	10.06.033 / 10.06.035
10	2	AIR-B S 1200	/

AIR-B SYNCHRO S 1200 WITH SDB

EXPLODED DRAWING

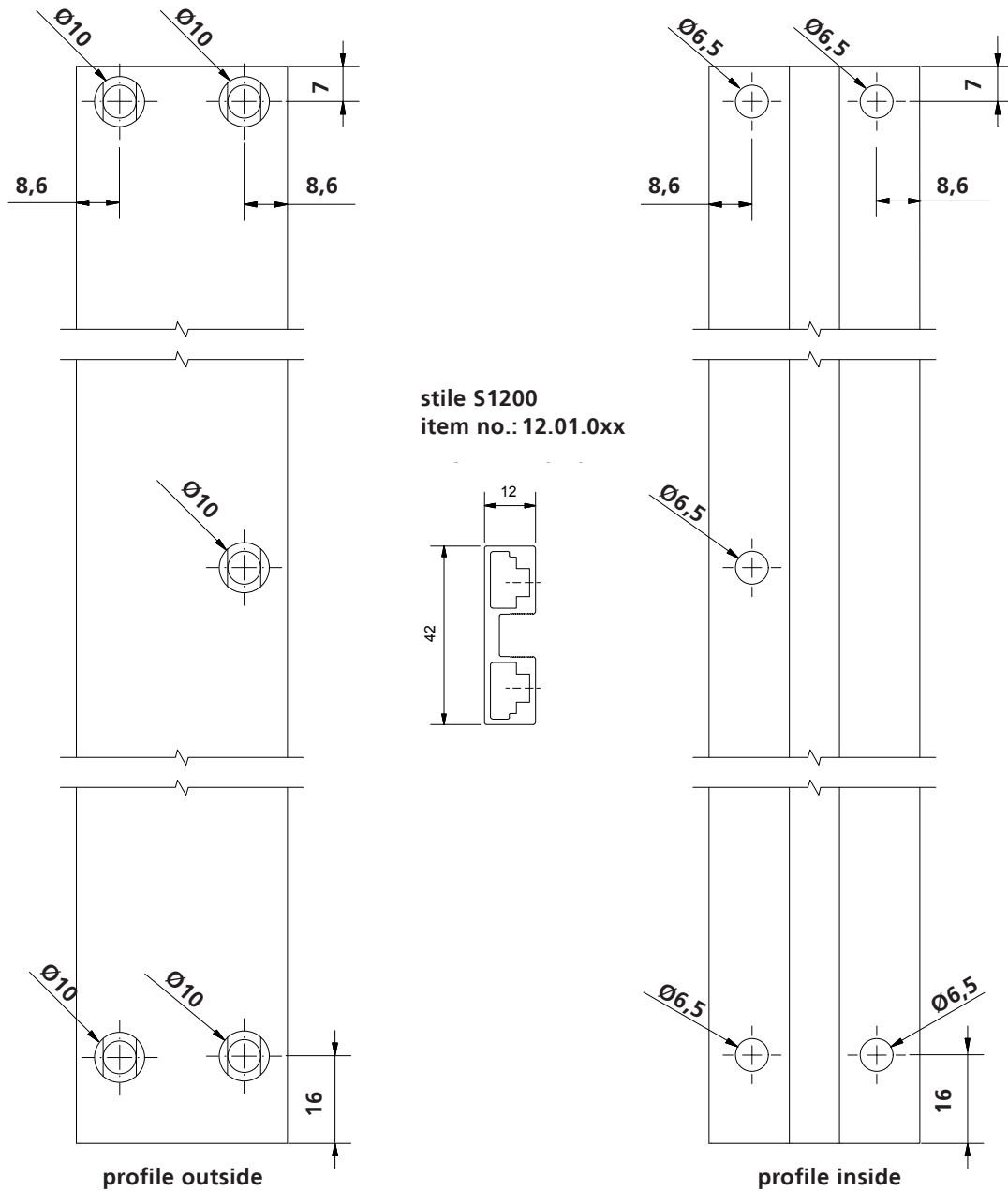


Item list

Object	Quantity	Item	Item no.
1	1	Top track ins. for AIR S42 SDB	14.51.0xx
2	1	Cover profile, 80mm	14.52.0xx
3	1	Wall conn. profile S42 AIR SDB	14.57.020
4	1	Wall conn.dist. prof. AIR SDB	14.58.020
5	2	Door connector S 1200 for synchro fitting AIR complete	10.06.065A
6	2	Sliding door brake AIR	10.06.365
7	2	Stopper f. top roller with SDB AIR	10.06.360
8	1	Synchro fitting S 1200 AIR with SDB	10.06.066
9	4	Top roller SDB	10.06.300
10	1	Wire for synchro	10.06.060A
11	2	AIR-B S 1200	/
12	2	BGround plate with bearing air S34 / air S1200 / Distance plate air S34 / S1200	10.06.033 / 10.06.035

CUTTING MEASURES PROFILES W/O SDB

SITLES AND DRILL PATTERN



CUTTING MEASURES PROFILES

S 1200 AIR:

Door height	= clear room height - 58 mm
Cross rail length	= door width - 24 mm
min. / max. door width	= 500 mm / 1400 mm
min. / max. door height	= 700 mm / 2750 mm
max. door weight	= 60 kg
Overlap	= 12 mm

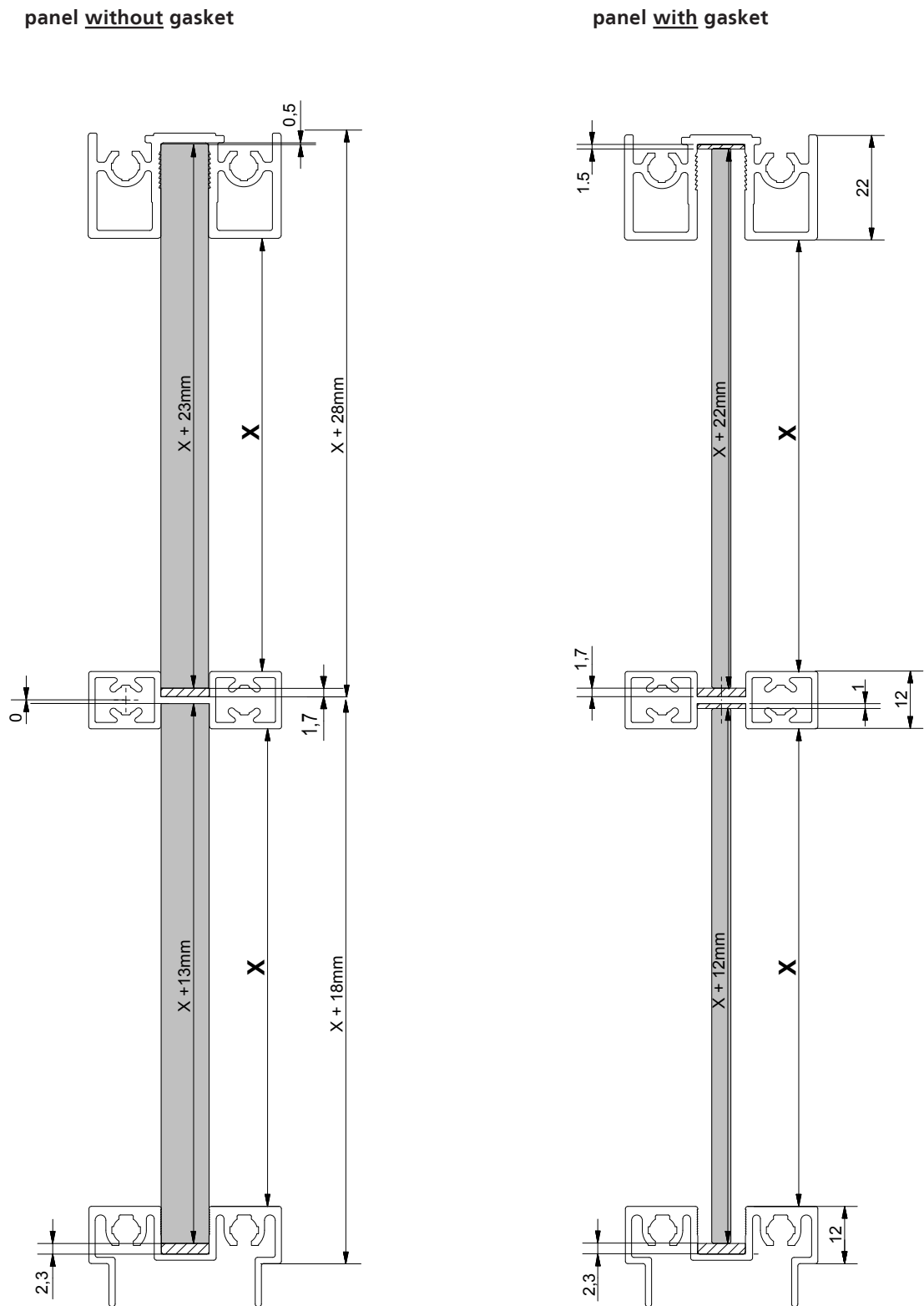
CUTTING MEASURES PANEL

S 1200 AIR (w/o dividing rail):

Panel height	= door height - 16 mm (10 mm)
Panel height	= door height - 17 mm (with gasket)
Panel width	= door width - 11 mm

CUTTING DIMENSIONS PANEL / MIRROR

HEIGHT MEASUREMENT



DETAIL DRAWING

STOPPER FOR TOP ROLLER

