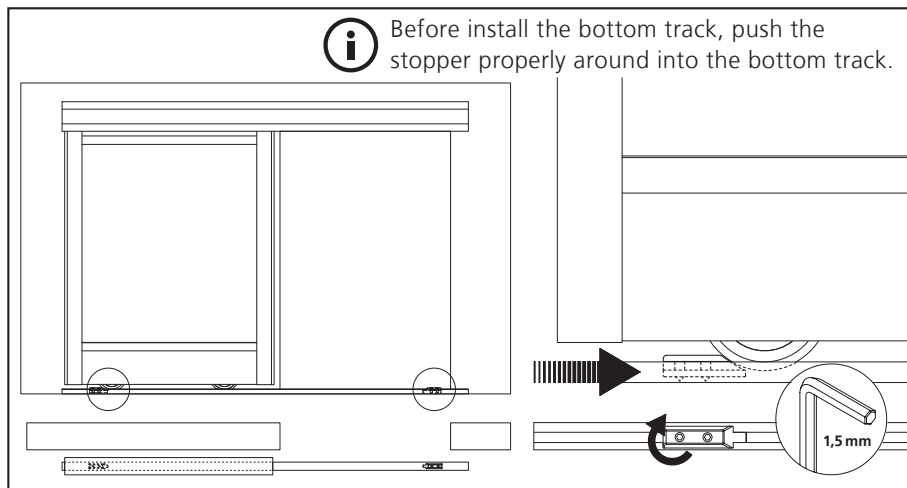


SLIDING DOOR SYSTEM: INSTALLATION INSTRUCTION

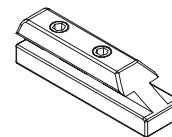
TOP AND BOTTOM STOPPER

Version 7.2 (Up to date: December 2012)

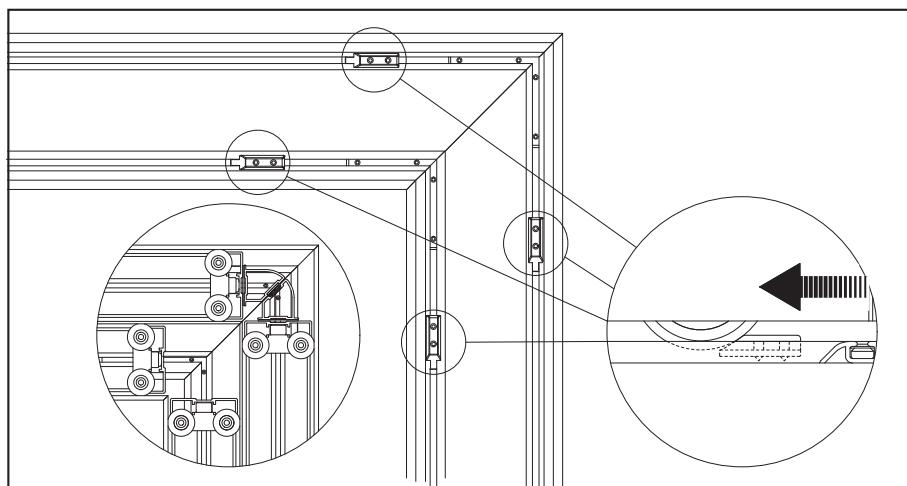
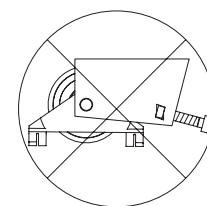


Stopper for bottom track

Item No.:
10.01.031 - grey
10.01.038 - white
10.01.034 - black

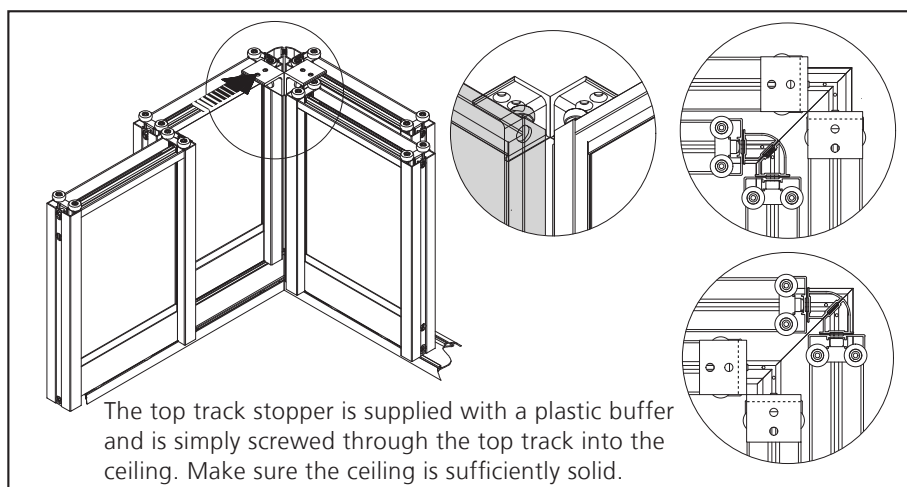


PLEASE NOTE: Bottom door stopper cannot be used with security bottom rollers or position springs!



For corner solutions the use of bottom stoppers, at double- / triple corner solutions and additionally the use of top track stoppers are intended or the corner stop for double top track

Corner stop for double top track S34
Item No.: 10.08.260 w/o Fig.
Corner stop for double top track S42
Item No.: 10.08.298 w/o Fig.



Stopper for top track S34 - 40 mm
Item No.: 10.08.280
Stopper for top track S42 - 40 mm
Item No.: 10.08.290
Stopper for top track S42-60 mm
Item No.: 10.08.297
Stopper for top track S34 60 mm
Item No.: 10.08.330

Fixing material
Chipboard screw 4,5 x 35
Item No.: 10.05.046
plugs 6x30
Item No.: 10.07.099

8.21.3.c

Install

Subject to technical changes.

raumplus