

SLIDING DOOR: ASSEMBLY INSTRUCTION

SYSTEM AIR-A S 42

Version 1.1 (2015-07-06)

1.03.1.c

Assemble  easy medium difficult

Subject to technical changes.

raumplus

CONTENT AND TOOLS

CONTENT:

Content and tools	page	02
Product information	page	03
Accessories	page	05
Exploded drawing	page	06
Cutting dimensions	page	07
Assembly instruction	page	08
Installation instruction	page	10
Detail drawings	page	16

TOOLS:

(without claim of completeness)

- Wire cutting pliers
- Aluminium saw
- Allen key set
- Drilling machine
- Drill set (metall)
- Straight edge (optionally)
- Rubber mallet
- Pencil
- Water level



VERSION INFORMATION:








Version 1.1: Redesign of manual and drilling template added

PRODUCT INFORMATION

GENERAL INFORMATION: Preparation

- This manual is part of the product and describes the safe and proper installation of the system. Please read the instructions carefully before installation
- Please note that the assembly should only be done by qualified and trained staff in strict compliance with all details indicated in this document. Improper installation in variation from manufacturer's specification may cause defects and danger, thus endangering the safe fixing of the product as well as the safety of the prospective user. The liability of the manufacturer shall be excluded in case of defects and consequential damages resulting from incorrect assembly of this product.
- Please check the completeness of the delivered parts and check carefully if any transport damages are visible.
- If any parts are damaged or lost, please immediately contact the responsible supplier.
- It is assumed that you have exactly identified all cutting dimensions according to the measurement instruction for **raumplus** products.

SYMBOLE:

Symbol	Importance
	Risk or danger!
	Advice and information
	Additional information / other documents
	Directional data / direction of movement
	„yes“ and „right“
	„no“ and „wrong“
	Follow the order

SYSTEM:

System Information: AIR-A S42

- max. weight of element = **60 kg**
- min./max. door height = **700 mm / 2750 mm**
- min./max. door width = **500 mm / 1200 mm**

PRODUCT INFORMATION

GENERAL INFORMATION: **Product safety**

- The door system system complies with the prior of the art and the authorized safety rules at the time of delivery.

USE:

Intended use

- The prerequisite for the intended use of our products is the professional installation according to our installation instruction. Sufficient fittings must be available and durably installed to all relevant places. The function of the fittings must not be hindered or altered during installation.
- Special solutions are only possible in consultation with **raumplus**.

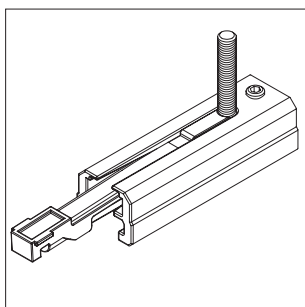
Incorrect use

- Risk or danger may occur in the following cases:
 - the door system has improperly been installed or maintained
 - the safety and installation instructions have not been followed.
 - after improper installation or inadequate fixing (e.g. to parts of buildings)
 - the maximum weight of the doors has been exceeded.
 - improper shock and case loads or other additional loads on the fittings have occurred
 - the fittings have been used outside.
 - body parts or objects got into the closing edges or door runnings during use of the door wing.
 - the door system is not used as intended.

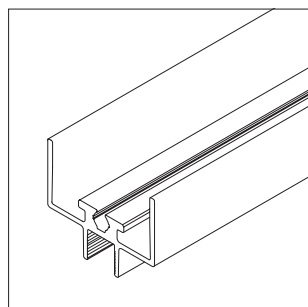
Structural modifications

- Structural modifications that are not offered as an accessory from **raumplus** may only be attached or installed with permission of **raumplus GmbH!**

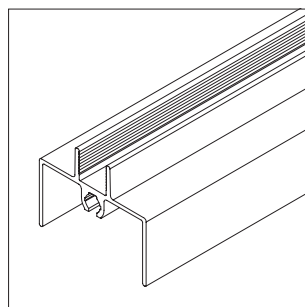
ACCESSORIES



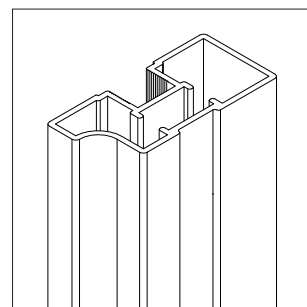
1_ 10.05.035



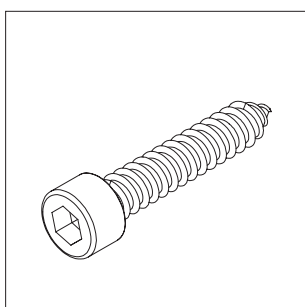
2_ 14.12.0xx



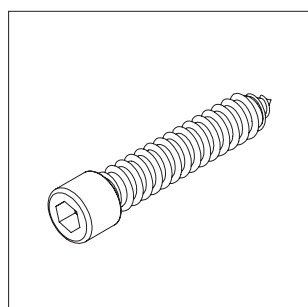
3_ 14.14.0xx



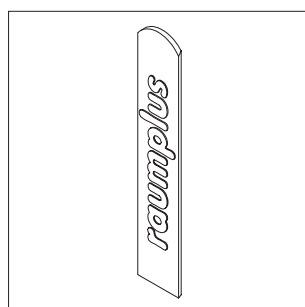
4_ 13.11.0xx



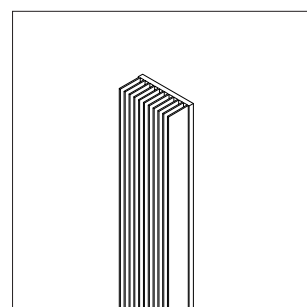
5_ 10.07.012



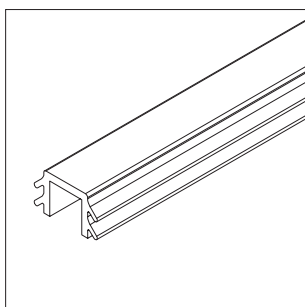
6_ 10.07.008



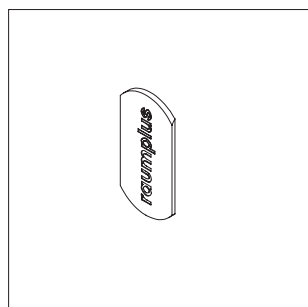
7_ 10.07.05x



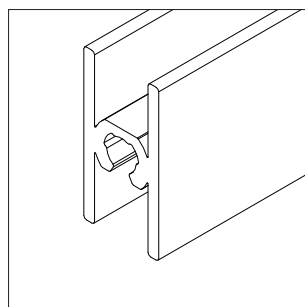
8_ 10.07.020



9_ 10.07.03x



10_ 10.07.35x



11_ 13.22.0xx

1_ Pick up element, adjustable system AIR-A

2_ Top rail for AIR system

3_ Bottom rail for AIR system

4_ Stile S1500 asy. example

5_ Screw for wall connection profile

6_ Frame screws

7_ Plugs for punching holes

8_ Dust excluding brush grey

9_ Gasket
only necessary for panels with less than 10mm thickness

10_ Plug for dividing rail 27mm, optionally

11_ Dividing rail 27mm, optionally

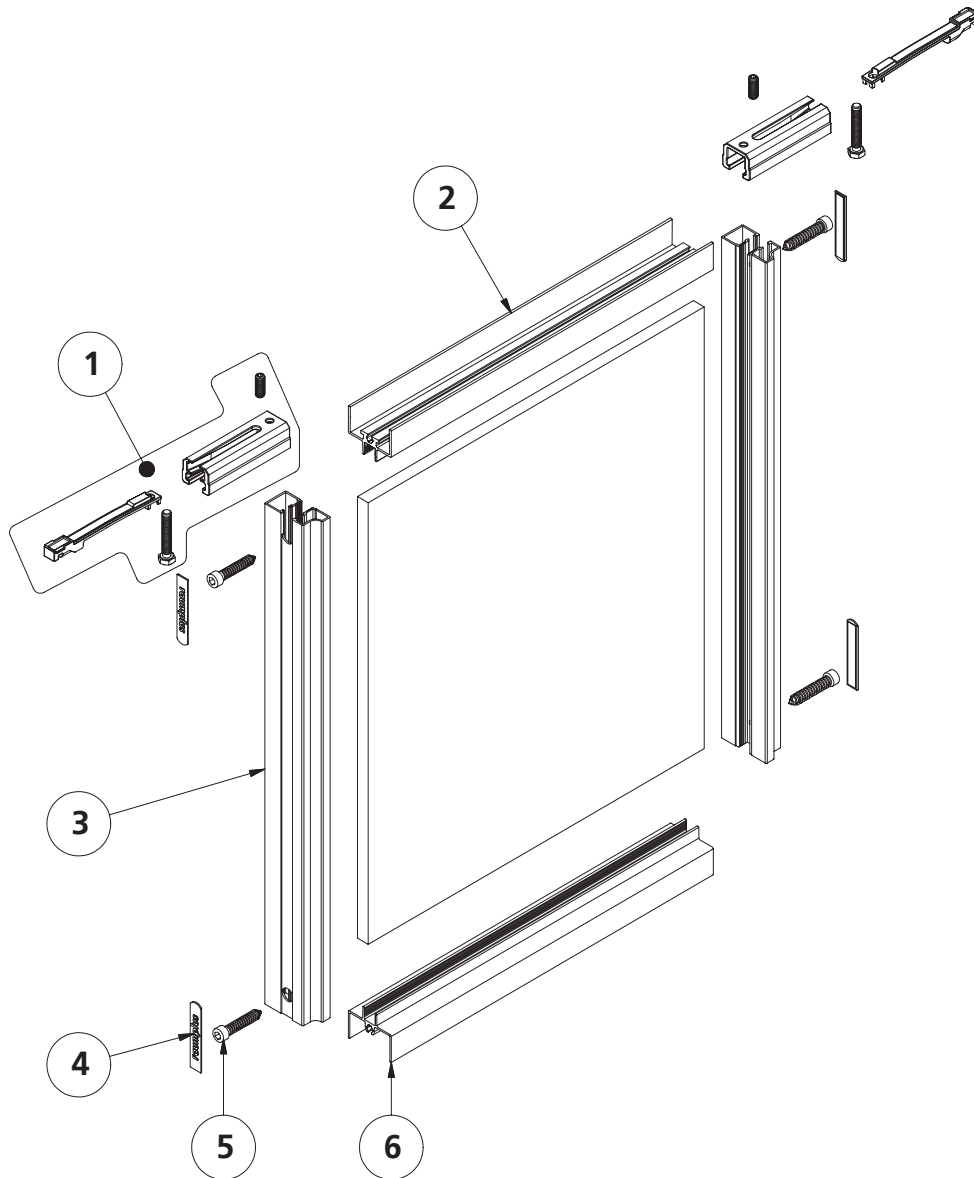
without illustration:

12_ Bracket for dust excluding brush (10.01.039)

13_ Drilling template (30.14.019)

DETAIL DRAWING

EXPLODED DRAWING

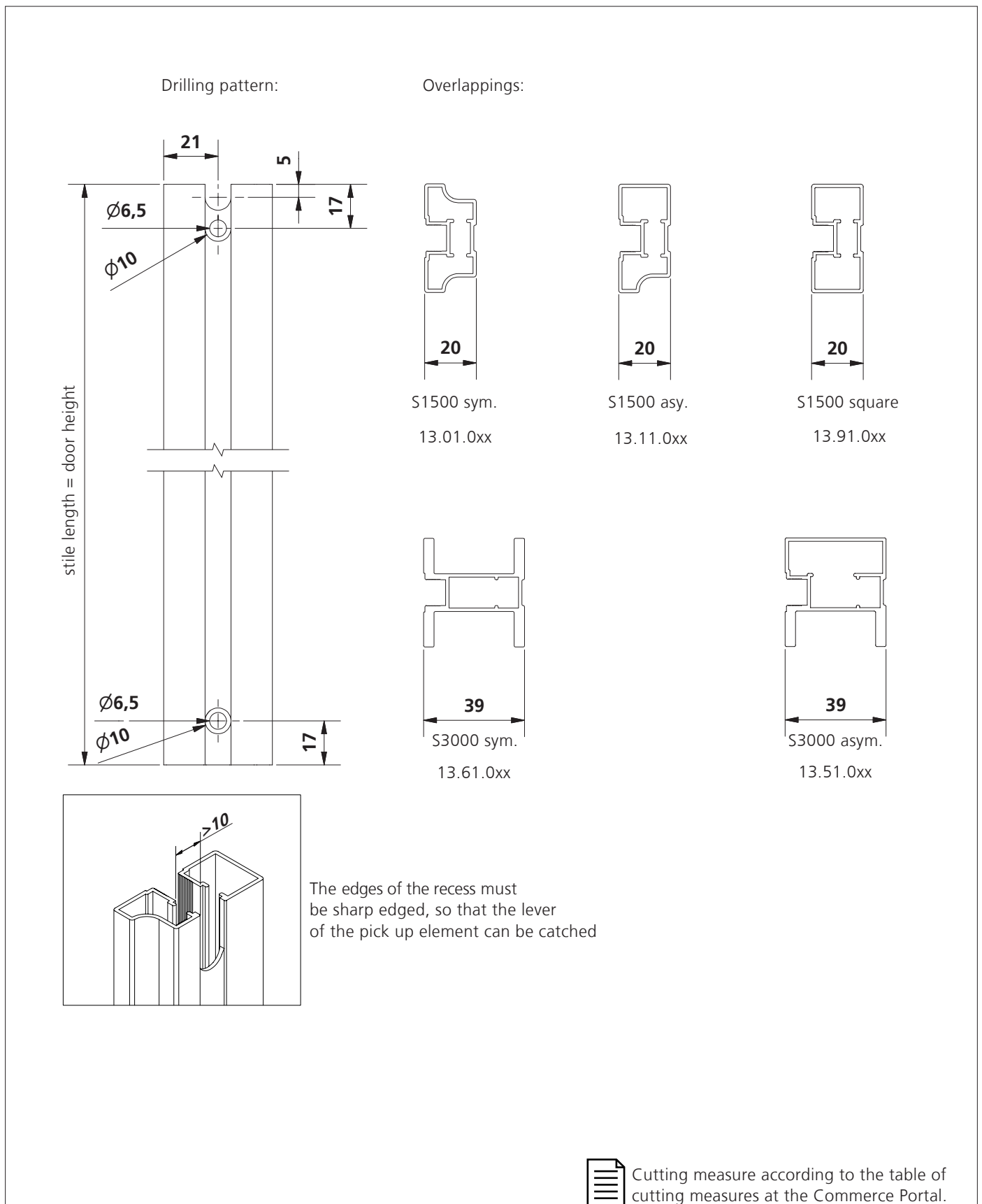


Item list			
Object	Quantity	Description	
1	2	Pick up element, adjustable system AIR-A	10.05.035
2	1	Top rail for air system AIR	14.12.0xx
3	2	Stile S1500 asy.	13.11.0xx
4	4	Plugs for punching holes	10.07.05x
5	4	Screw for wall connection profile	10.07.012
6	1	Bottom rail for AIR system	14.14.0xx

1_ Sliding door AIR-A S42

DETAIL DRAWING

PREPARING STILES

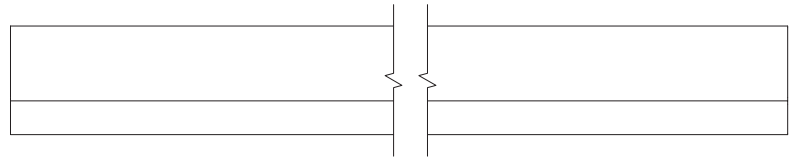
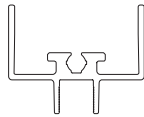


1_ Cutting dimensions for stiles

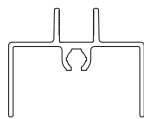
DETAIL DRAWING

EXPLODED DRAWING

(14.12.0xx)
Top rail
System AIR S42

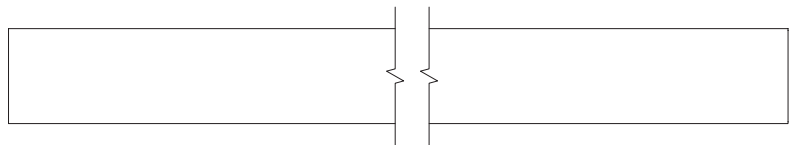


(14.14.0xx)
Bottom rail
System AIR S42

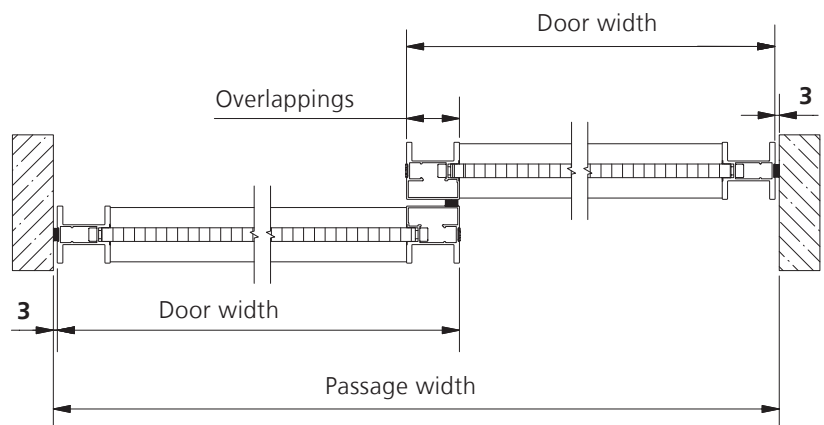


Cutting measure according to the table of cutting measures at the Commerce Portal.

(13.22.0xx)
Dividing rail 27mm,
optionally



For double track systems please consider the overlapping.



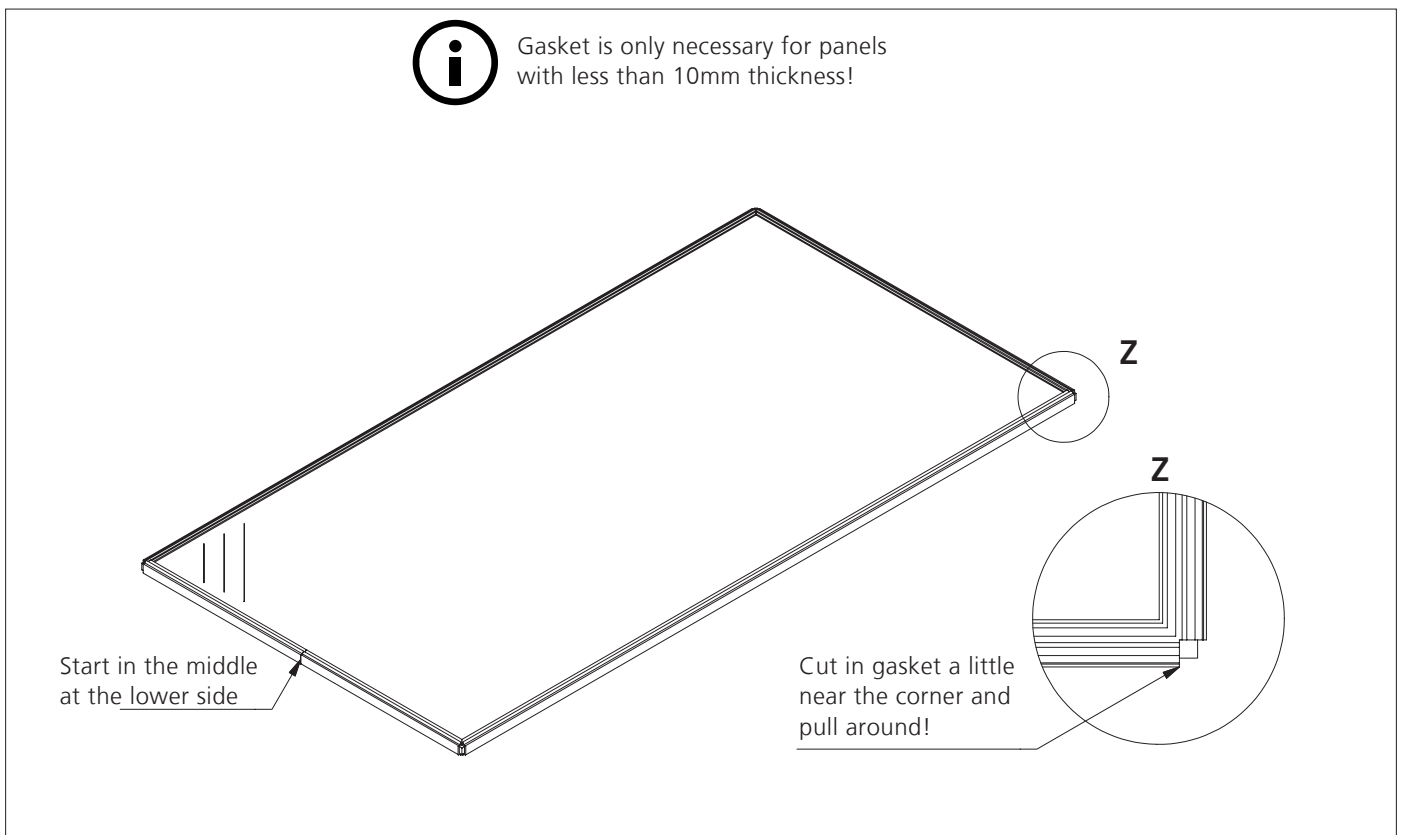
min. / max. door width = **500 mm / 1200 mm**

max. weight of the door = **60 kg**

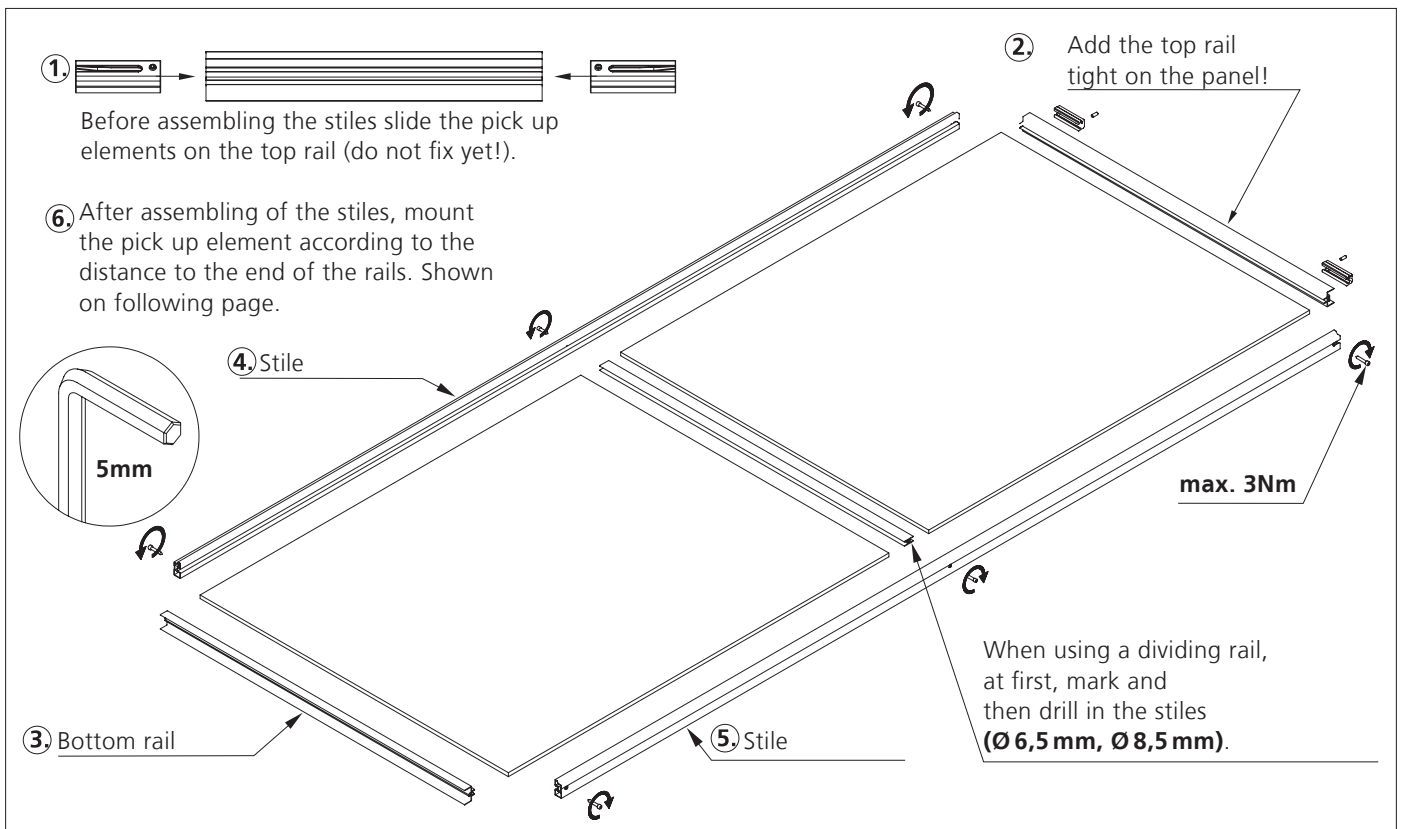
2_ Cutting dimensions for horizontal profiles

ASSEMBLY INSTRUCTION

HORIZONTAL SECTION



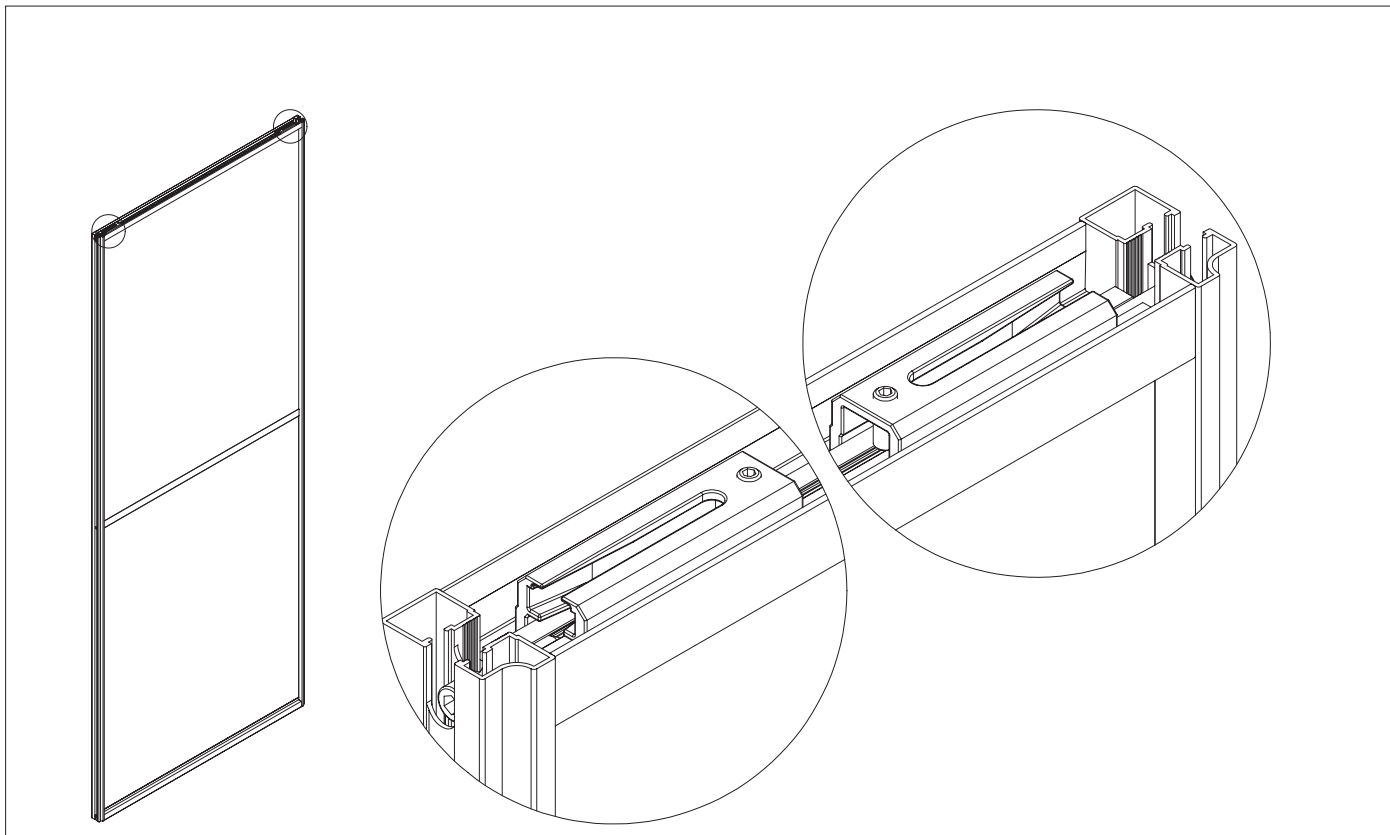
1_ Place the panel on a table, affix the gasket (only at panels with less than 10mm thickness)



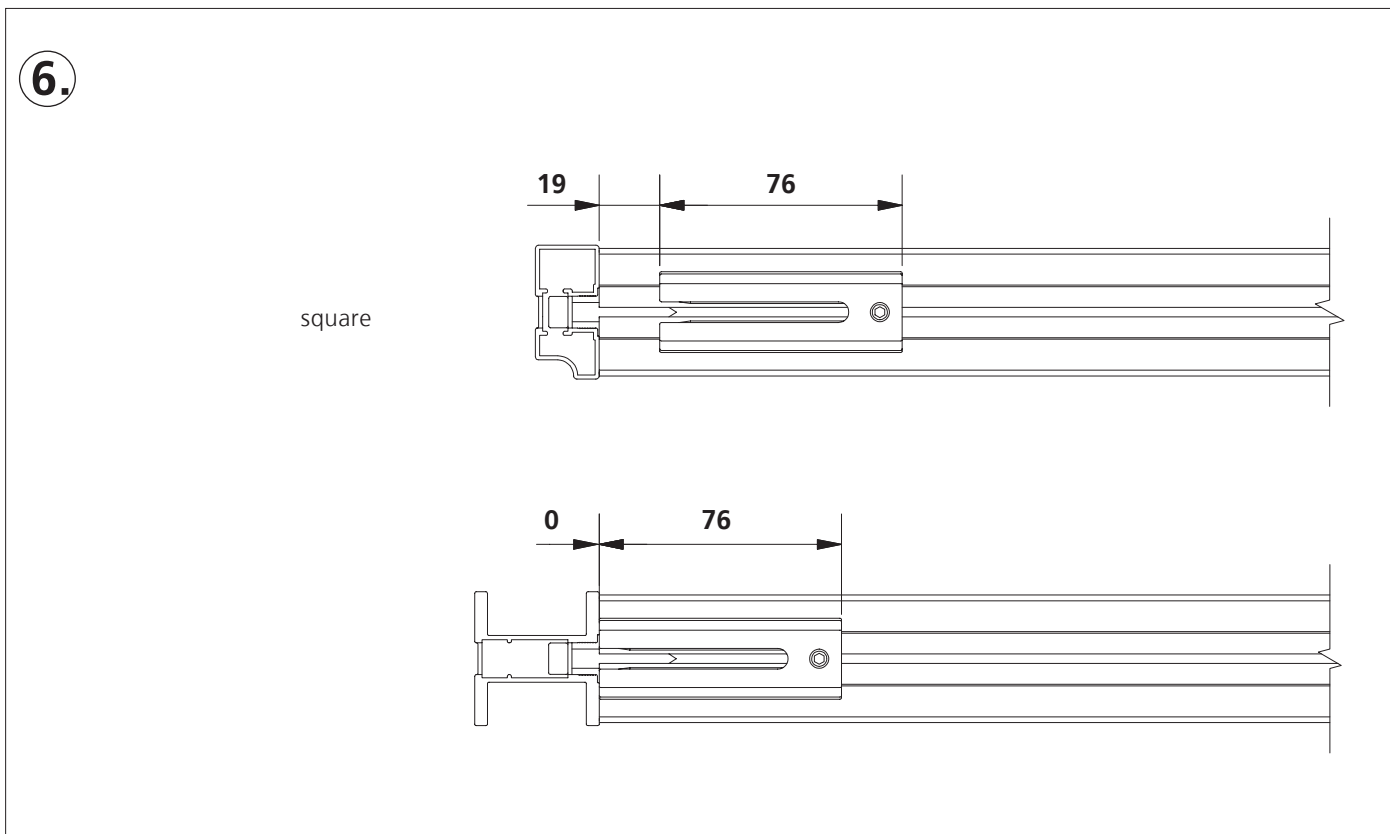
2_ Use a rubber mallet to add stieles (hit carefully), screw together (**max. 3Nm**) then check with straight edge

ASSEMBLY INSTRUCTION

HORIZONTAL SECTION

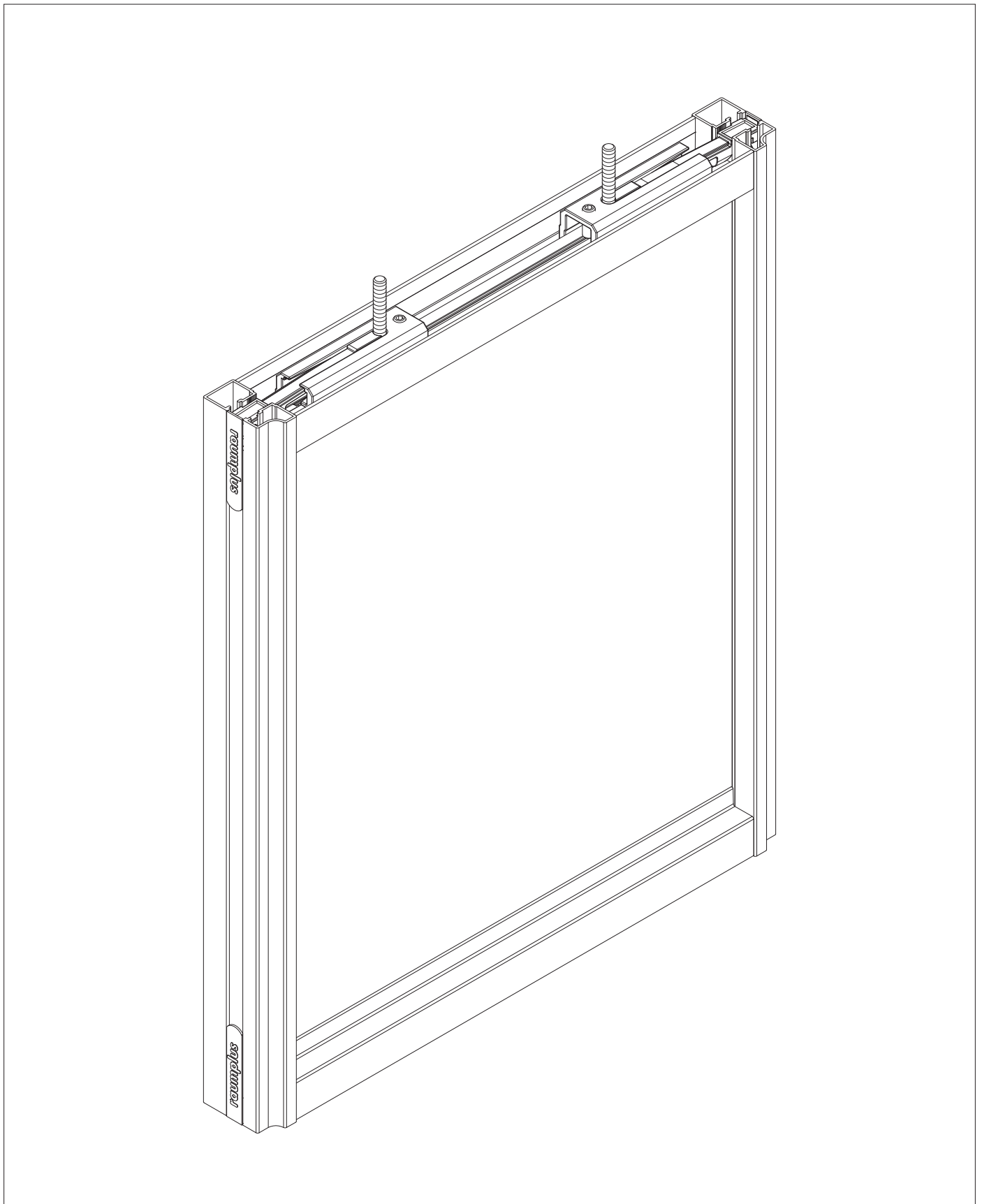


3_ Sliding door AIR-A S42



4_ Distance of the pick up element to the stile, sliding door AIR-A S42

DETAIL DRAWING



1_ AIR-A S42