

# SLIDING DOORS: INSTALL & MANUAL INSTRUCTIONS

## SYSTEM AIR-B S34 WITH SLIDING DOOR BRAKE

Version 1.1 (2018-09-13)

1.02.2.c



Subject to technical changes.

**raumplus**<sup>®</sup>

# CONTENT AND TOOLS

## CONTENT:

Content and tools	page	02
Manual	page	03
Product information	page	04
Accessories	page	06
Installation instruction	page	08
Detail drawings	page	12
Stopper for top track	page	13

## TOOLS:

(without claim of completeness)

- Aluminium saw
- Allen keys set
- Double open-ended spanner (10 mm)
- Drilling machine
- Drills sets (stone / wood)
- Rubber mallet
- Masking tape
- Pencil
- Cross tip screwdriver set
- Water level
- Mounting material by customer  
According to local condition and  
Type of mounting

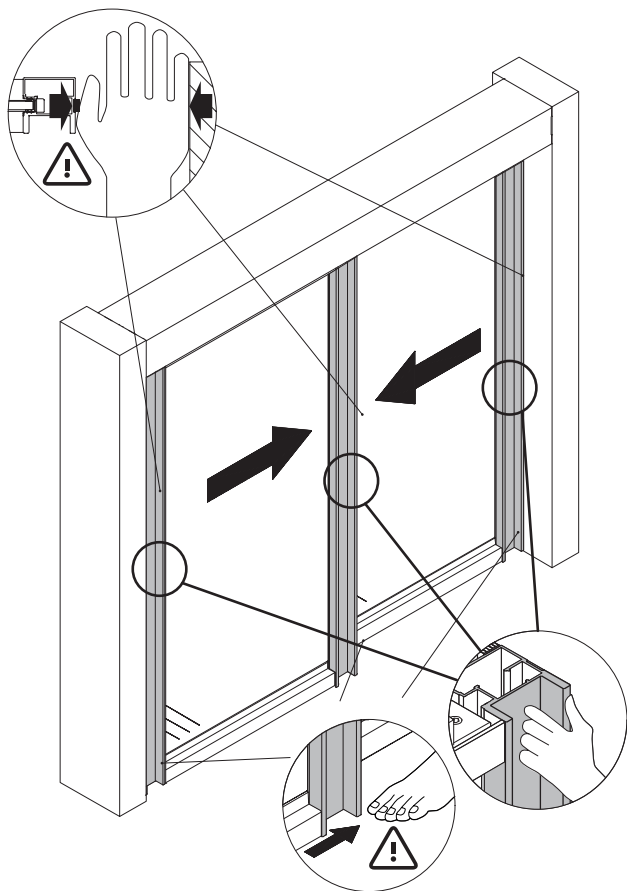


### VERSION INFORMATION:

Version 1.0: Product launch  
" 1.1: Added a instruction for the stoppoint

# MANUAL

This manual is part of the delivered product and describes the safe and proper use.



## Designated use:

The product is designed and manufactured for indoor use.

The product was designed as a hand-guided sliding door that is usually not being moved faster than walking speed and should be stopped manually when reaching the end position. The doors are guided on top and bottom track.

Any other use that deviates from the specific proper use is not according to the **raumplus** regulations.

## Manual:

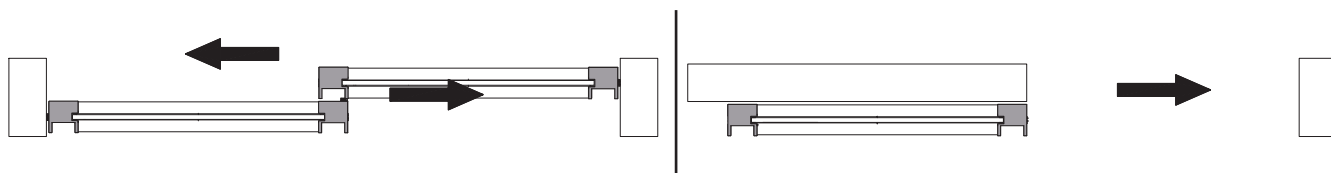
Open the door by using the handle profile or the handle (optional).

Guide the door slowly to the ...  
... opening / closing point, or  
... activating point of the sliding door brake (optional).

## Attention:



Preserve your hands from getting trapped during the movement of the door. When closing or opening the door never take hold of the profile, only use the handle profile or the handle.

Use the door as instructed.



## Safety Information:

The product complies with the prior of the art and the approved safety rules at the time of delivery.

- Pay attention to child safety.
- No additional load to the doors.
- Structural changes, additions or modifications can only be carried out by a distributor.
- In case of malfunctions or irregularities: shut down the system and contact your dealer.
-  For Installation without wall connection: use of top / bottom stopper is obligatory 








As defined in the „Law of Liability for Products“ (§4 Prod-HaftG), for the liability of the manufacturer, for his products, the above information has to be regarded. The disregard of this manual, releases the manufacturer from his liability.

# PRODUCT INFORMATION

## GENERAL INFORMATION: Preparation

- This manual is part of the product and describes the safe and proper installation of the system. Please read the instructions carefully before installation
- Please note that the assembly should only be done by qualified and trained staff in strict compliance with all details indicated in this document. Improper installation in variation from manufacturer's specification may cause defects and danger, thus endangering the safe fixing of the product as well as the safety of the prospective user. The liability of the manufacturer shall be excluded in case of defects and consequential damages resulting from incorrect assembly of this product.
- Please check the completeness of the delivered parts and check carefully if any transport damages are visible.
- If any parts are damaged or lost, please immediately contact the responsible supplier.
- It is assumed that you have exactly identified all cutting dimensions according to the measurement instruction for **raumplus** products.

## SYMBOLS:

Symbol	Importance
	Risk or danger!
	Advice and information
	Additional information / other documents
	Directional data / direction of movement
	„yes“ and „right“
	„no“ and „wrong“
	Follow the order

## SYSTEM:

### System Information: AIR-B S42 Sliding door brake

- max. weight of element = **60 kg**
- min./max. door height = **700 mm / 2750 mm**
- min./max. door width = **500 mm / 1200 mm**
- **cutting measures**  
stile reduction of height = **80 mm**

# PRODUCT INFORMATION

## GENERAL INFORMATION: **Product safety**

- The door system complies with the prior of the art and the authorized safety rules at the time of delivery.

## USE:

### **Intended use**

- The prerequisite for the intended use of our products is the professional installation according to our installation instruction. Sufficient fittings must be available and durably installed to all relevant places.  
The function of the fittings must not be hindered or altered during installation.
- Special solutions are only possible in consultation with **raumplus**.

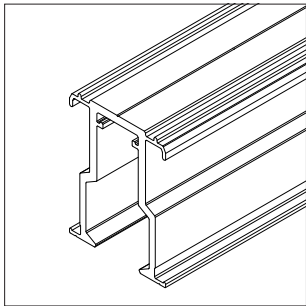
### **Incorrect use**

- Risk or danger may occur in the following cases:
  - the door system has improperly been installed or maintained
  - the safety and installation instructions have not been followed.
  - after improper installation or inadequate fixing (e.g. to parts of buildings)
  - the maximum weight of the doors has been exceeded.
  - improper shock and case loads or other additional loads on the fittings have occurred
  - the fittings have been used outside.
  - body parts or objects got into the closing edges or door runnings during use of the door wing.
  - the door system is not used as intended.

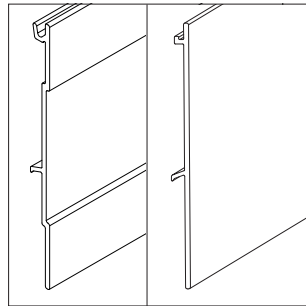
### **Structural modifications**

- Structural modifications that are not offered as an accessory from **raumplus** may only be attached or installed with permission of **raumplus** GmbH!

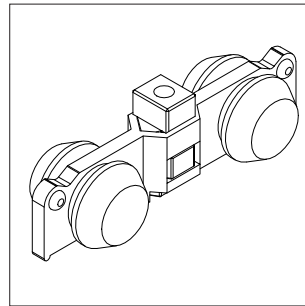
# ACCESSORIES



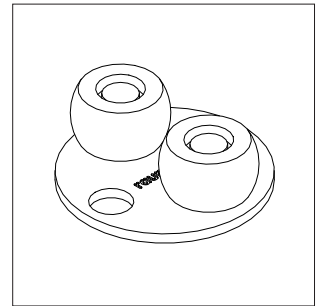
1\_ 17.56.020



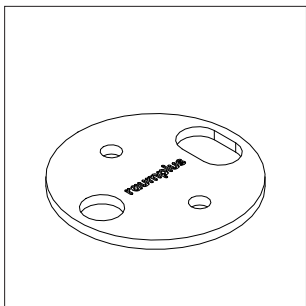
2\_ 14.52.0xx / 14.59.0xx



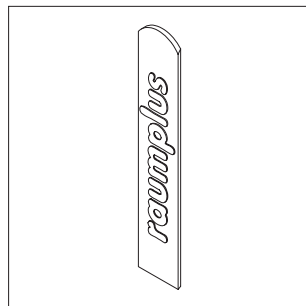
3\_ 10.06.300



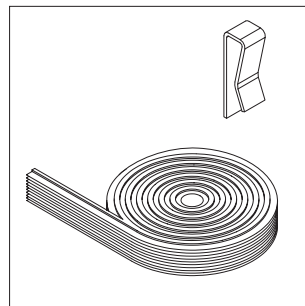
4\_ 10.06.034



5\_ 10.06.035



6\_ 10.07.05x



7\_ 10.07.02x / 10.01.039

1\_ Top track insert for AIR S34 SDB

2\_ Cover for insert profile AIR

Cover/middle insert profile AIR

3\_ Top roller AIR with SDB

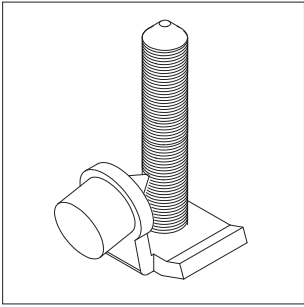
4\_ Ground plate with rollers AIR 38mm

5\_ Ground plate w/o rollers AIR

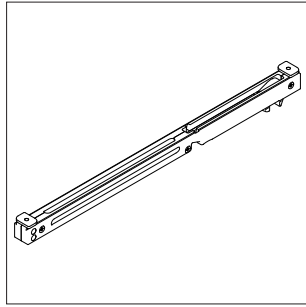
6\_ Plug for punching holes

7\_ Dust excluding brush / bracket for dust excluding brush

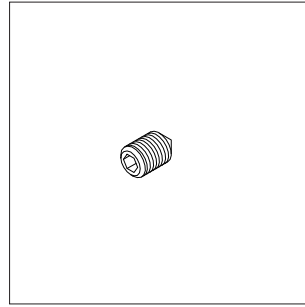
# ACCESSORIES



8\_ 10.06.360



9\_ 10.06.365



10\_ 10.06.350

8\_ Stopper for top track for SDB air must be used when there is no door stop

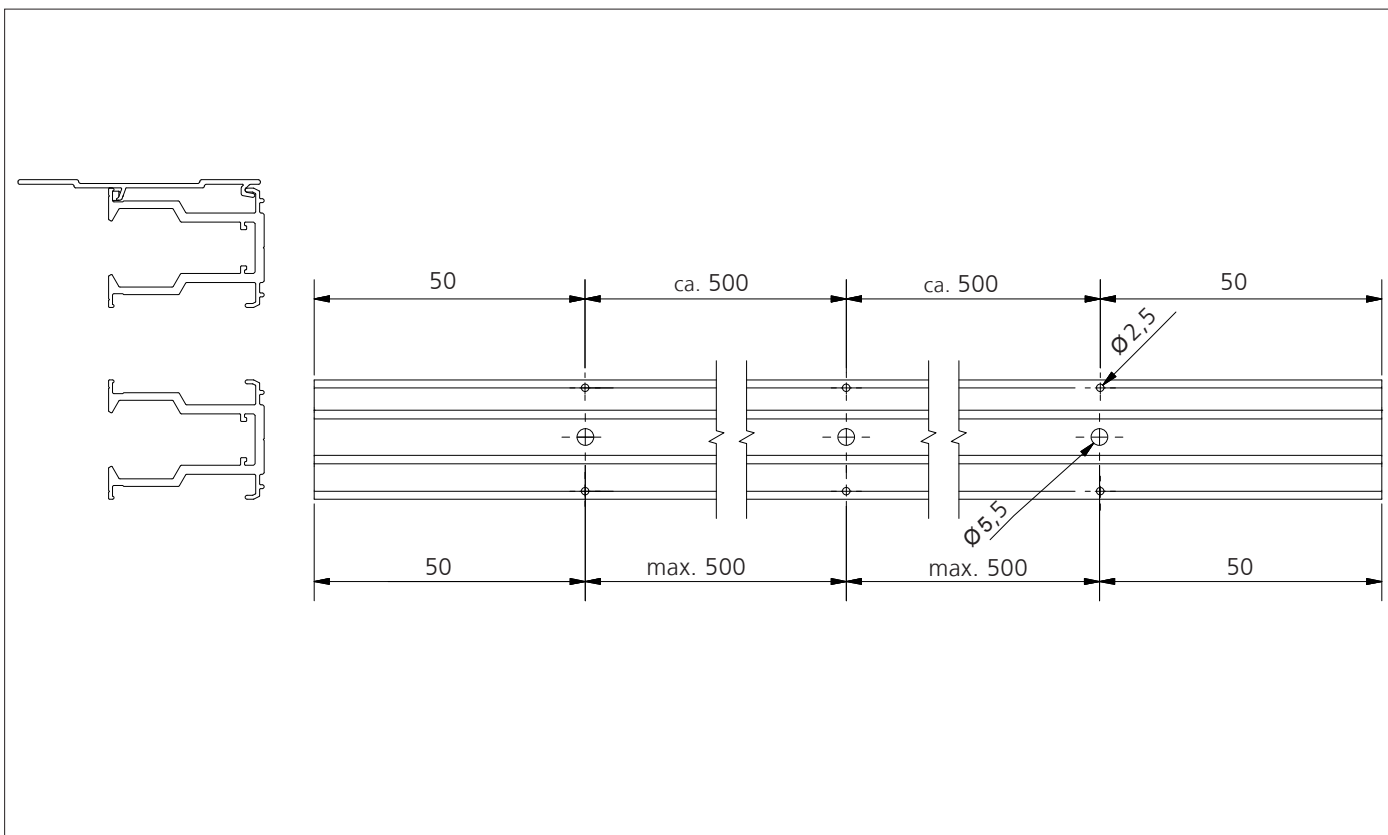
9\_ Sliding Door Brake AIR, set includes 1 x SDB 2 x slot nut  
2 x screw M 4x14

10\_ Screw DIN 914 M3x5 for attachment of the cover at the top track

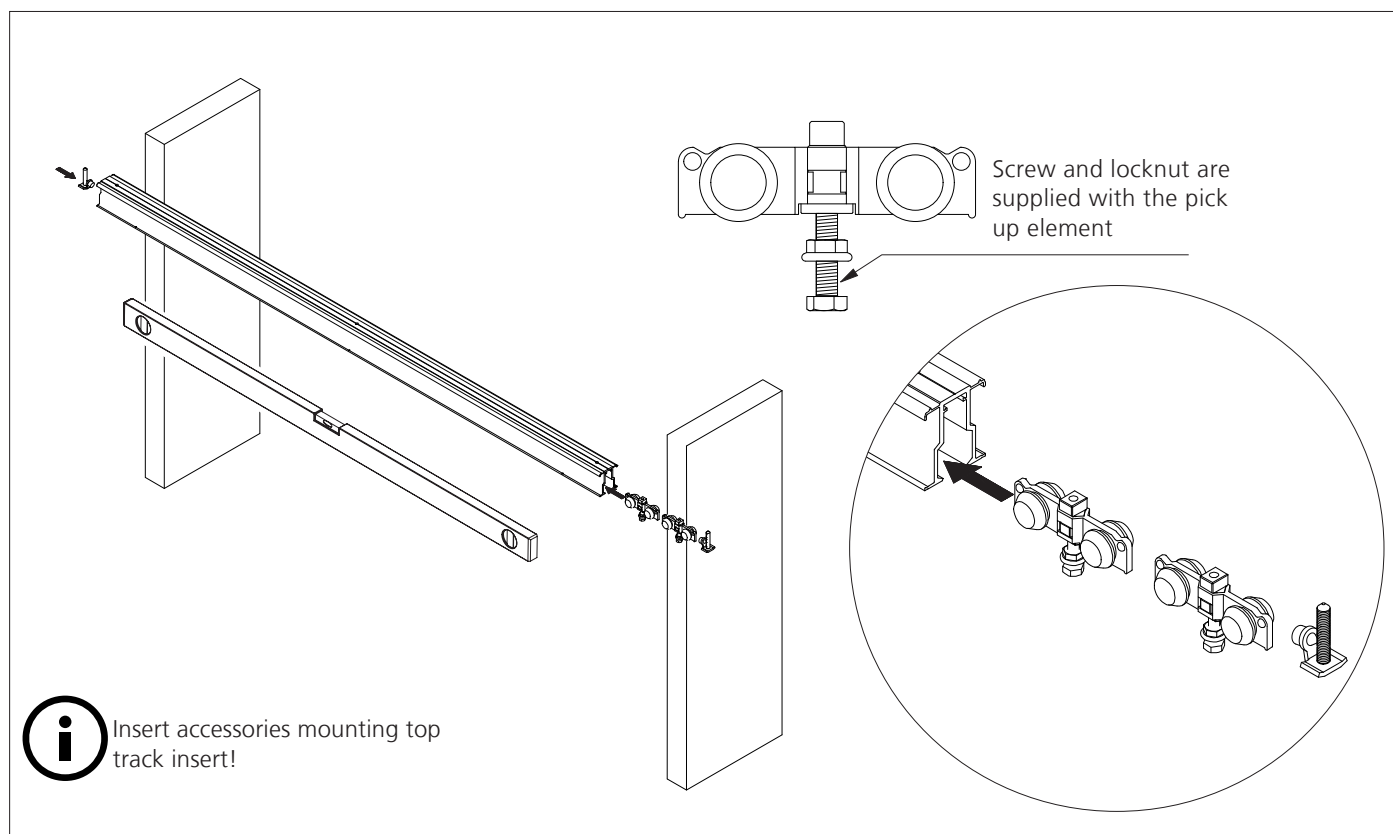
**without illustration:**

11\_ Dust seal gray, insert for stile S230

# INSTALLATION INSTRUCTION



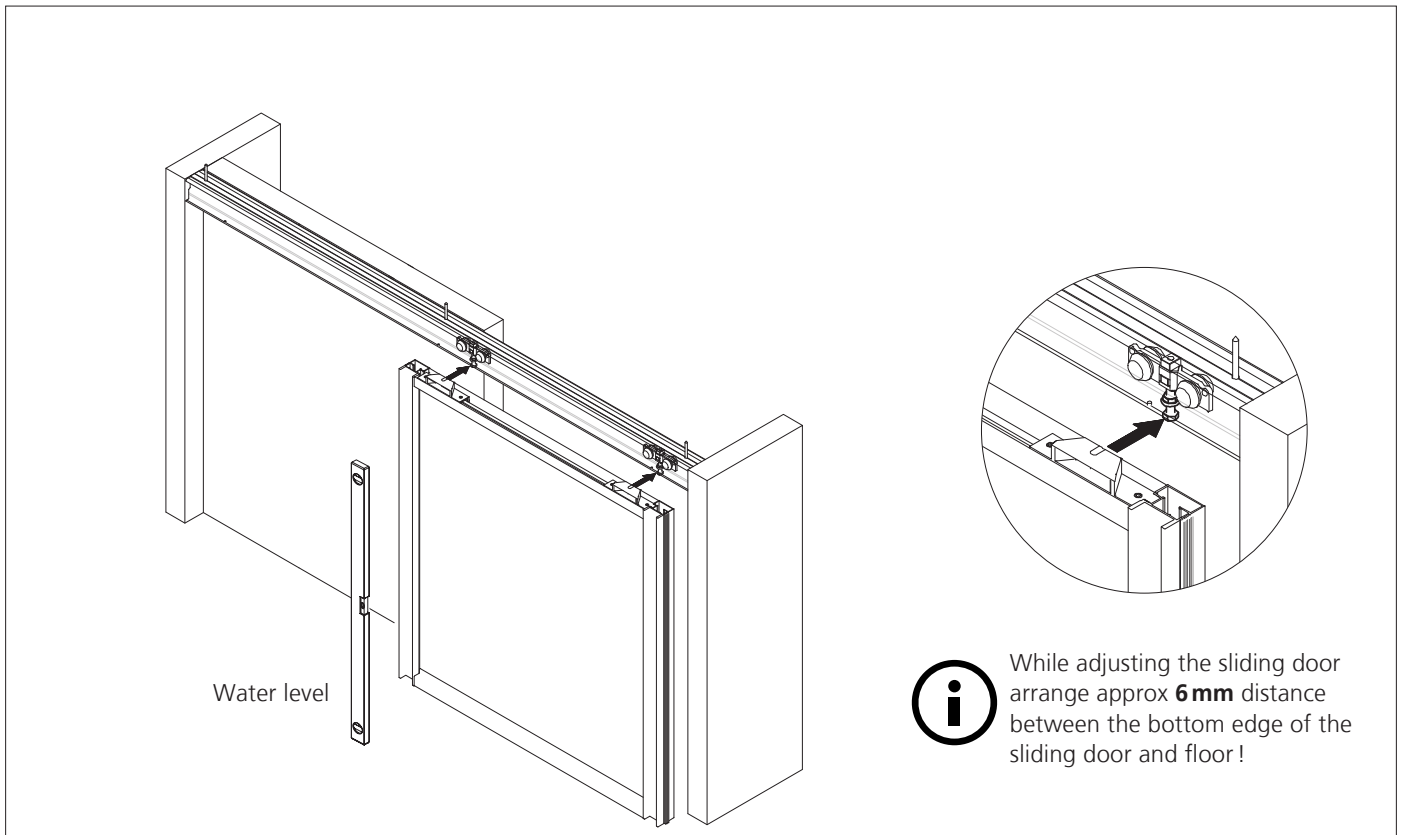
1\_ Cut the profiles to size and drill holes in top track insert and at demand simultaneously in wall connection profile



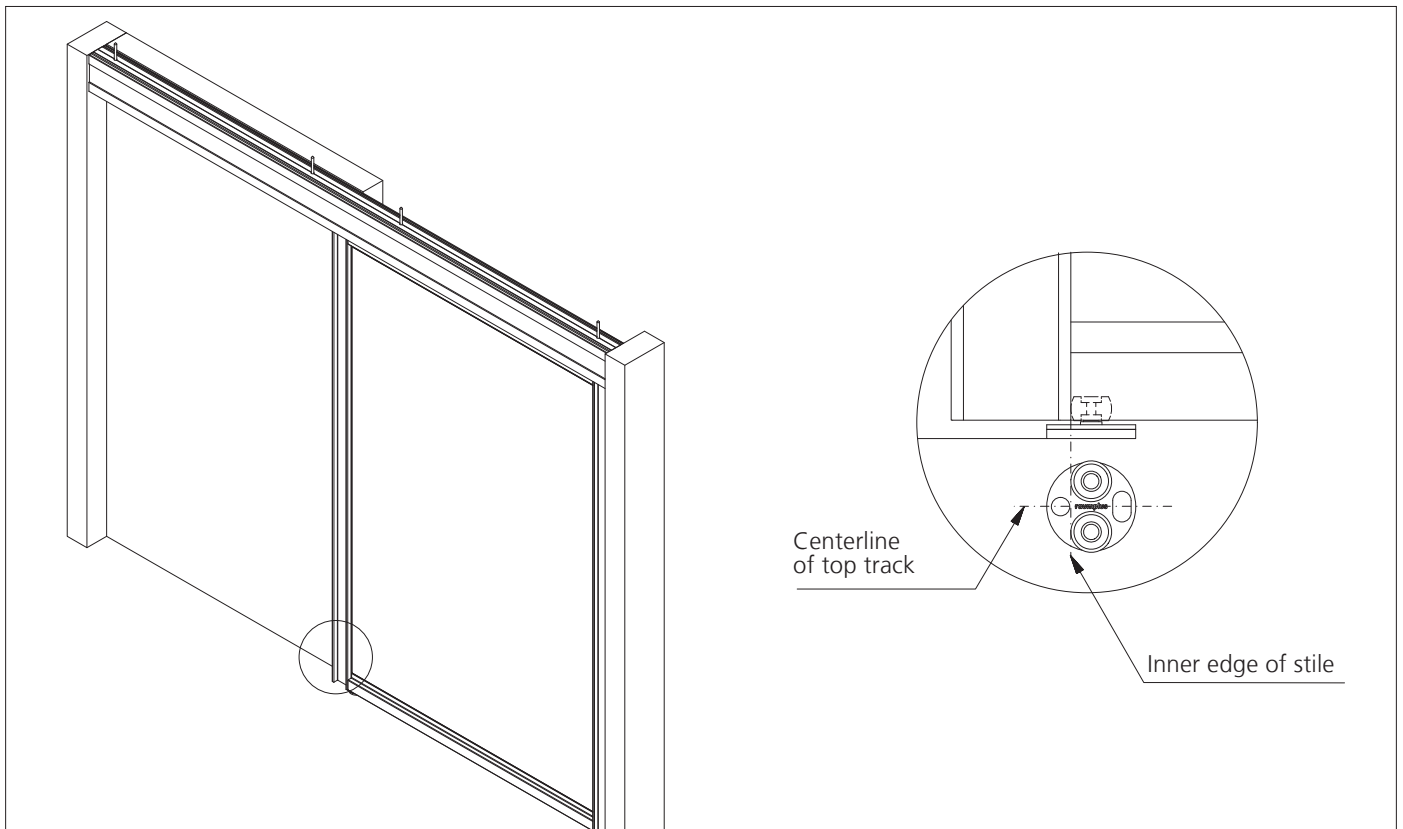
2\_ Drill holes in ceiling / lid for interior systems and mount the top track insert horizontally (fig. w/o ceiling / lid for interior systems)



# INSTALLATION INSTRUCTION

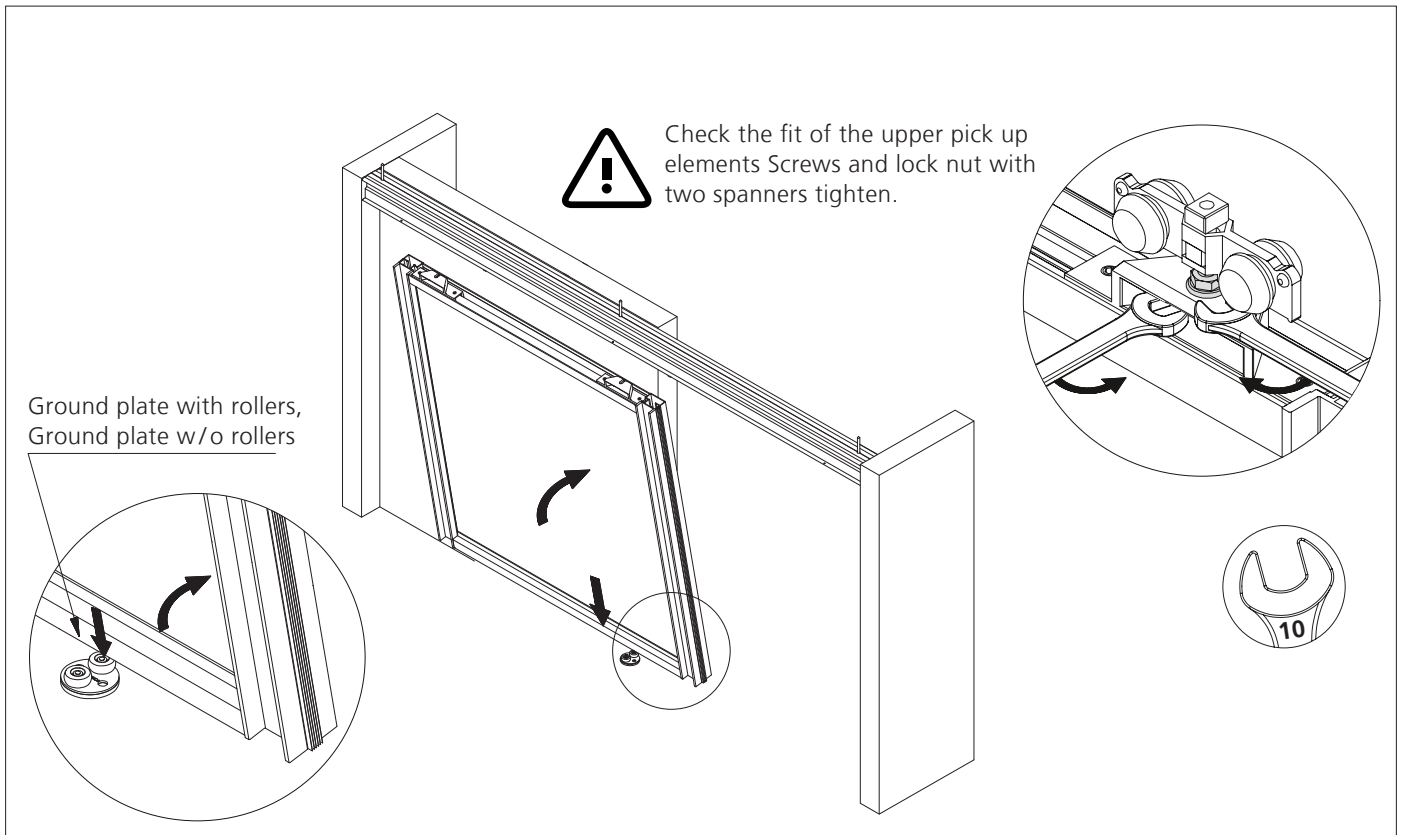


**3\_** Hinge the sliding door and adjust perpendicular with the set screws - do not tighten yet

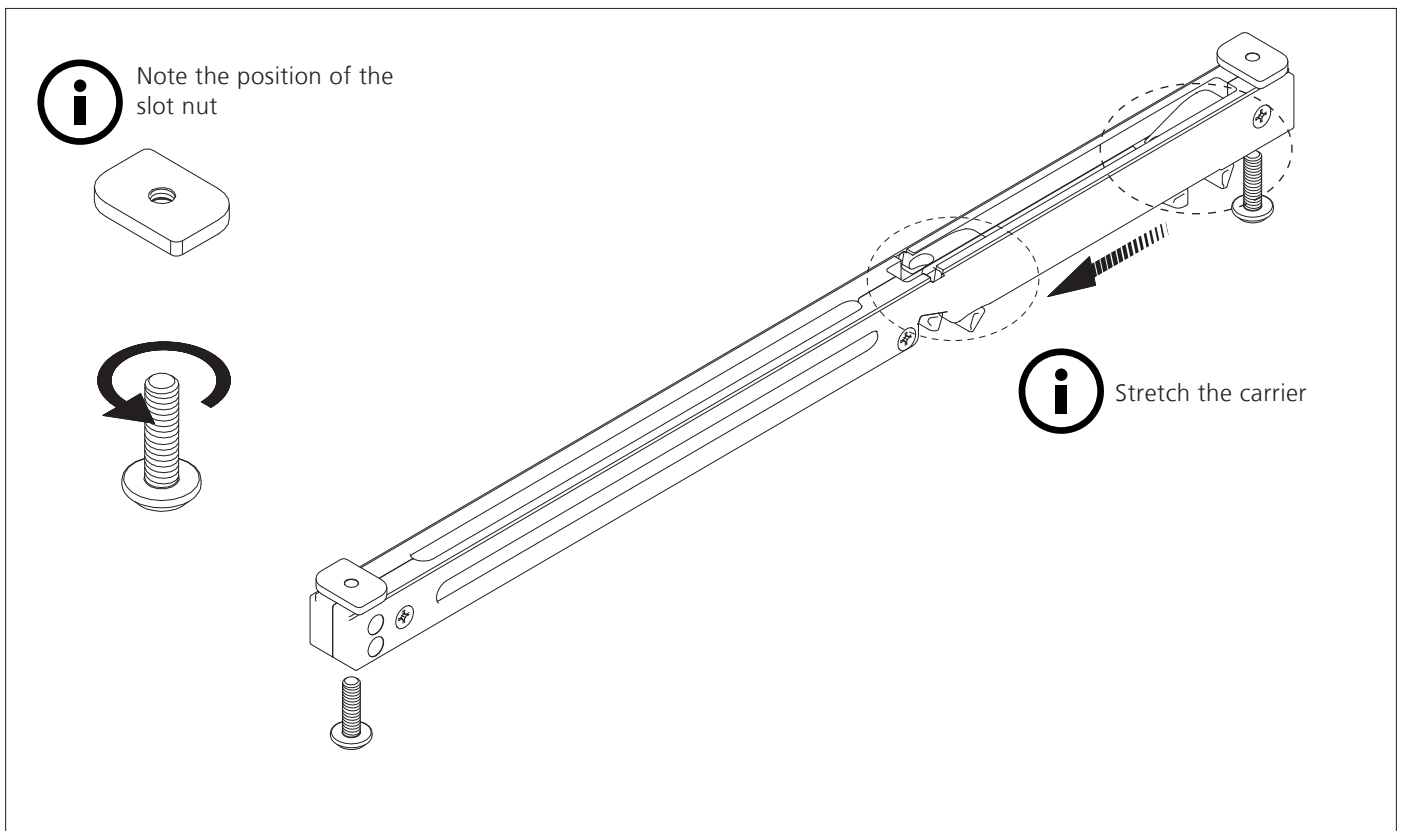


**4\_** Mark position of ground plate (masking tape / pencil), **unhinge sliding door** and mount ground plate

# INSTALLATION INSTRUCTION

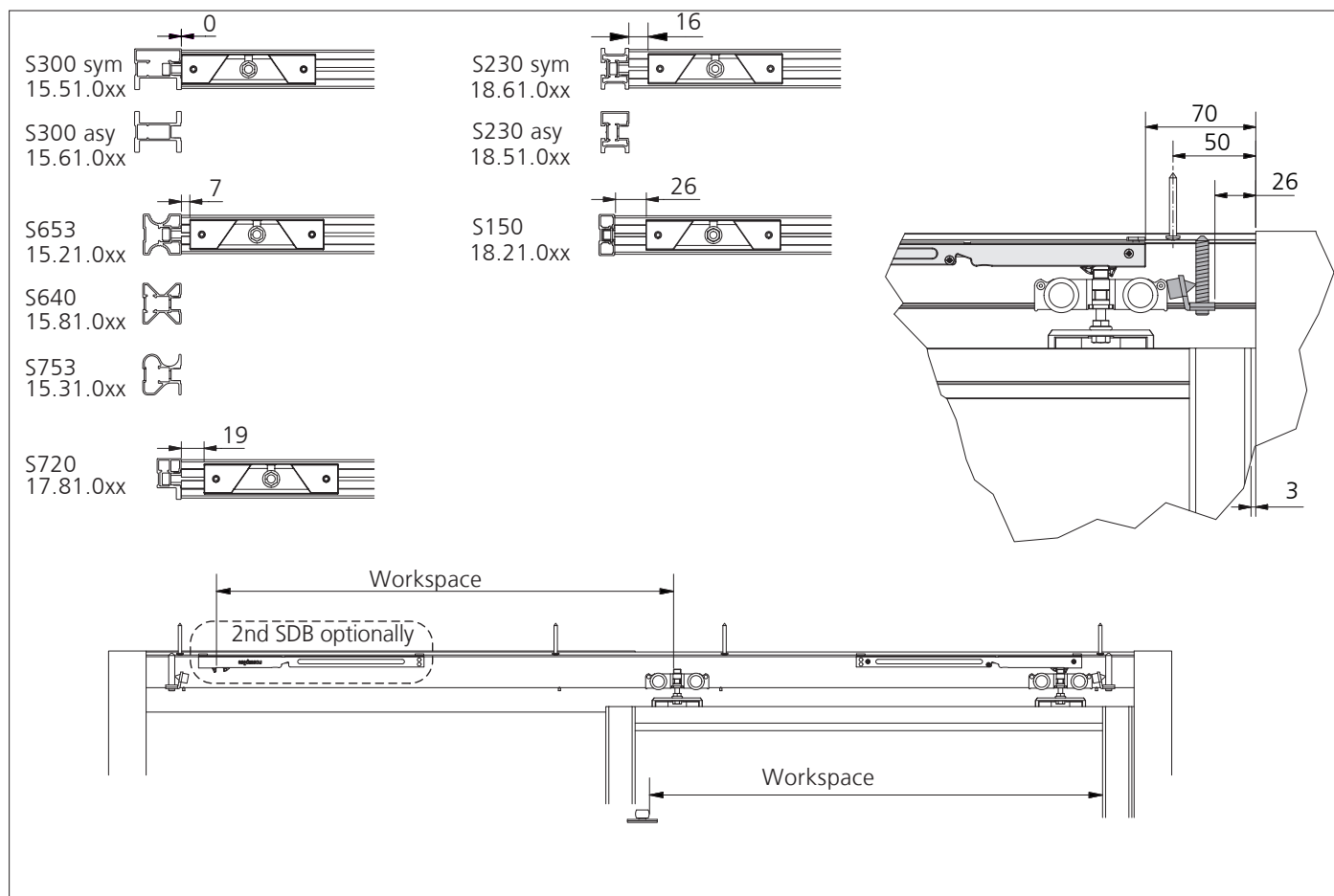


**5\_ Mount the sliding door, then tighten fix the counternuts at the pick up elements!**

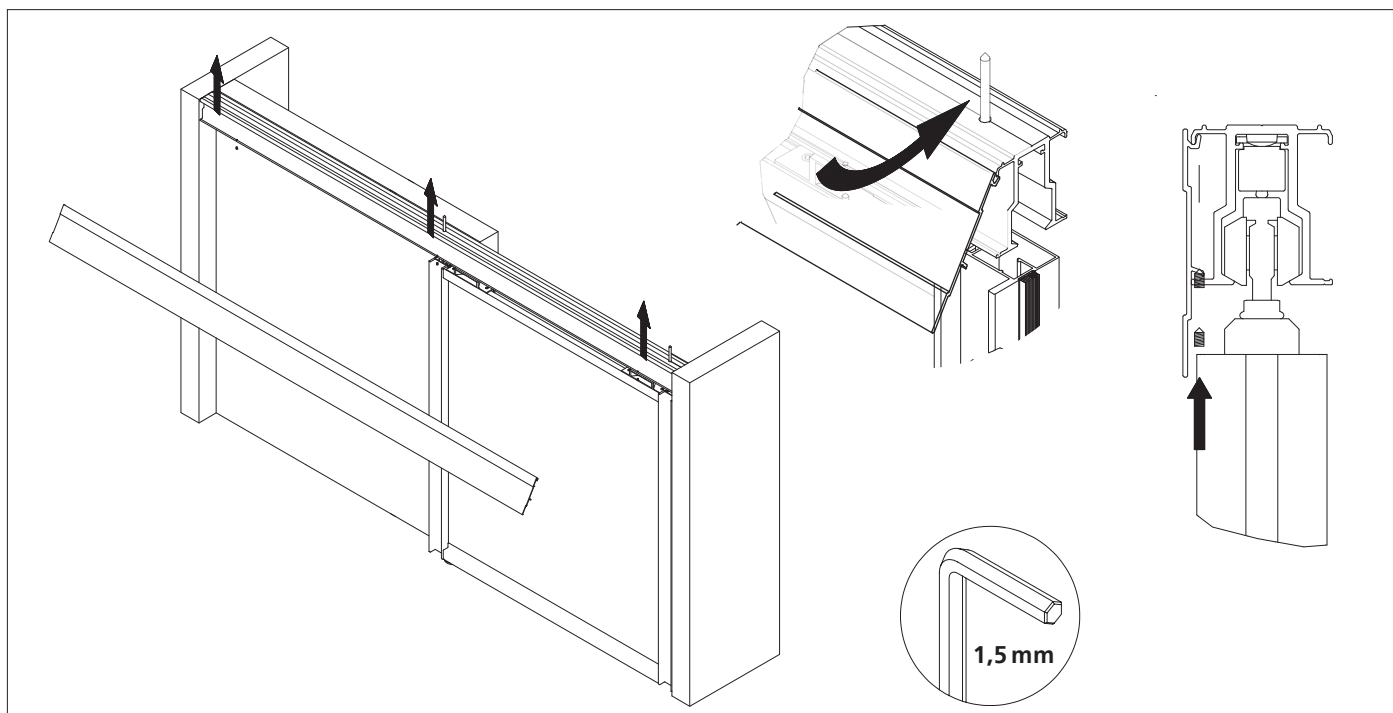


**6\_ Preparing the SDB**

# INSTALLATION INSTRUCTION



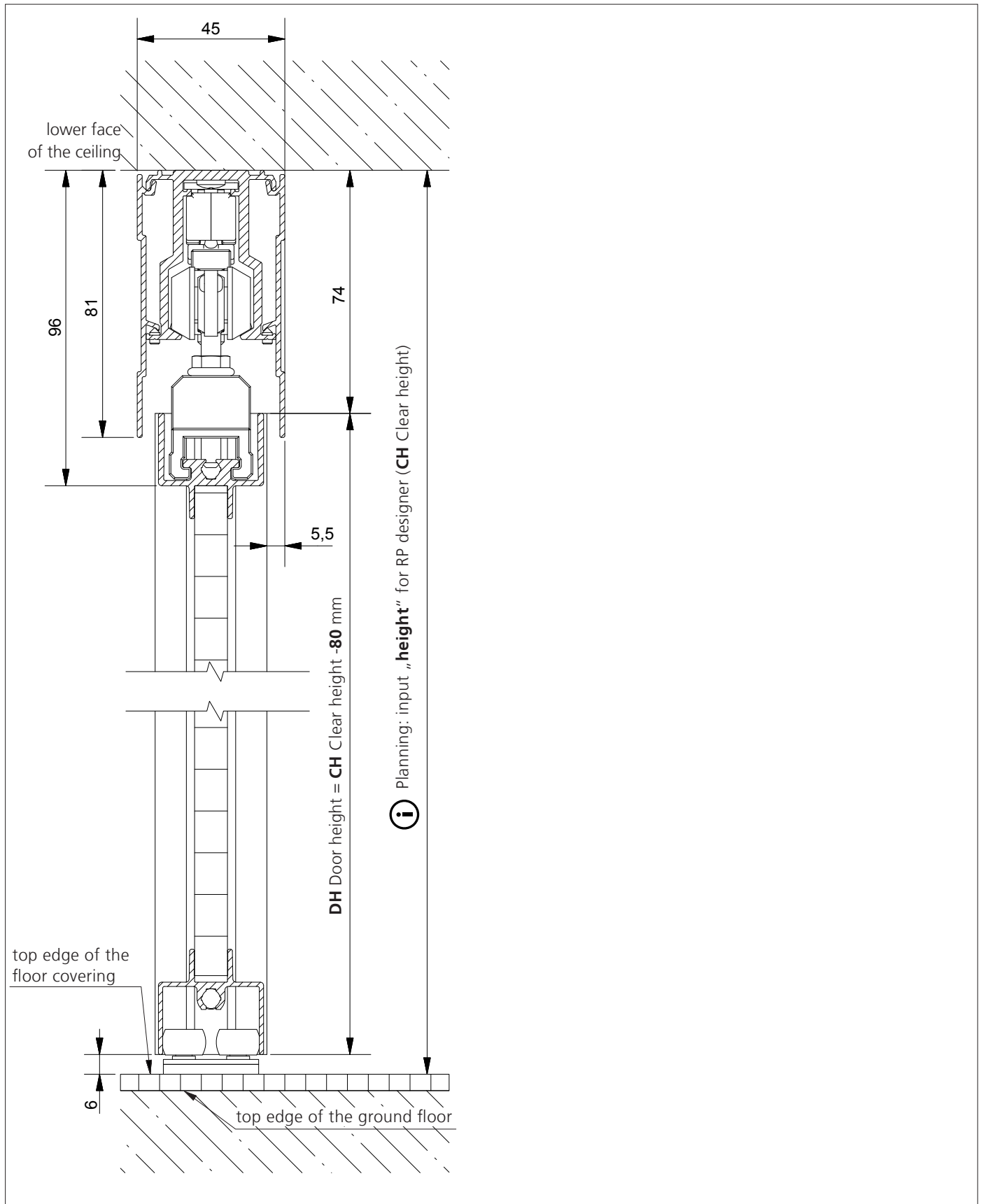
7\_ Positioning of the sliding door brake



8\_ Mount the cover for top track and fix it with the screws

# DETAIL DRAWING

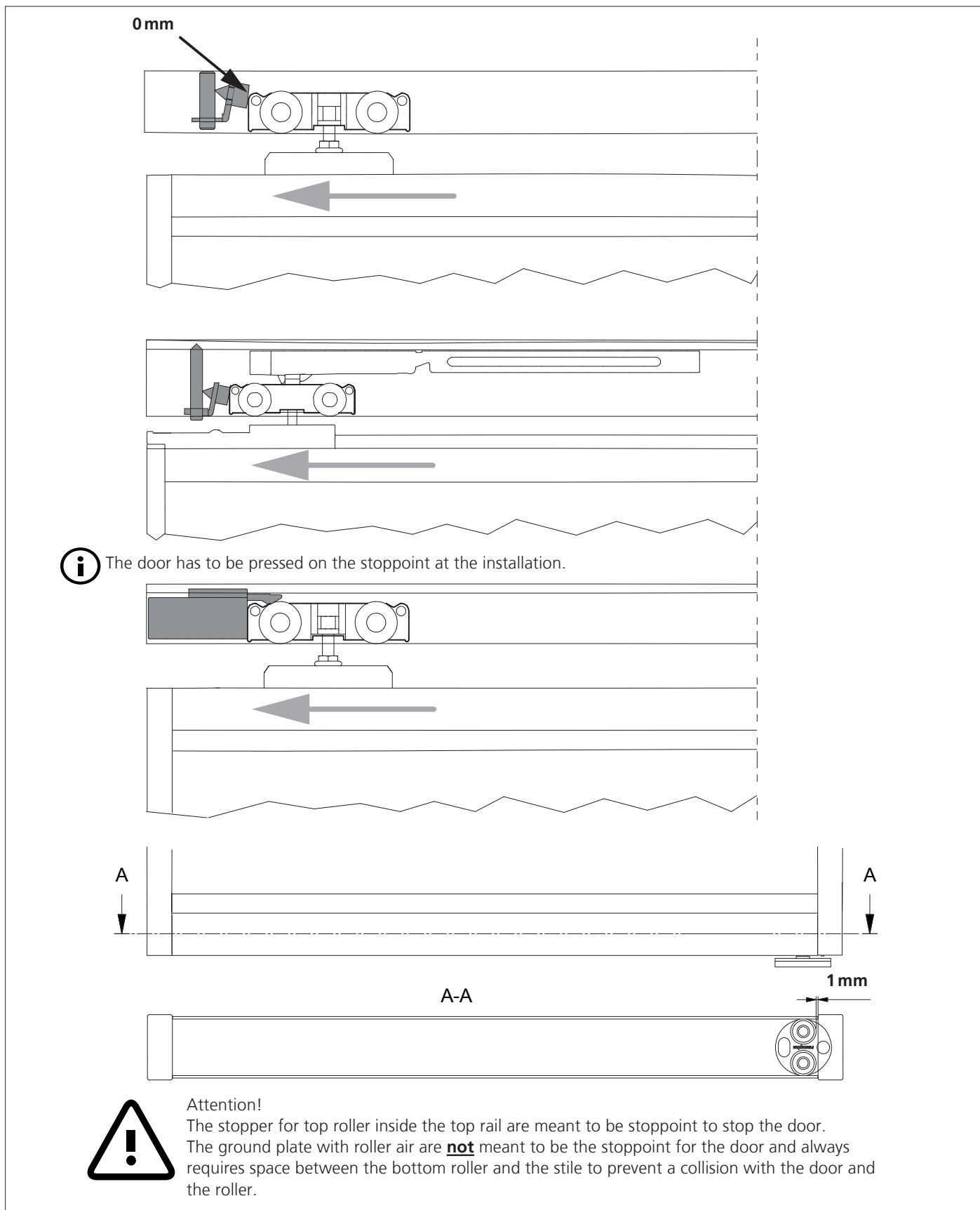
## CEILING MOUNTING



1\_

# DETAIL DRAWING

## STOPPER FOR TOP ROLLER



1\_