

HINGE DOOR: PLANNING

ALUMINUM FRAME HINGE DOOR RPS

Version 1.3 (2017-10-19)

2.30.4.c



Subject to technical changes.

raumplus[®]

CONTENT AND TOOLS

CONTENT:	Content	page	02
	Product information	page	03
	Accessories	page	04
	Installation variants on the corpus	page	05
	Inserted variant	page	06
	Adapter variant	page	08
	Dimensions	page	10
	Gap layout	page	11
	Magnetic push p2o	page	12
	Dimension sheet frame profile 22,5 mm, RPS	page	14
	Dimension sheet frame profile 29 mm, RPS	page	15



VERSION INFORMATION:








- Version 1.1: Note to RPS 22.5, for the use of colored glass
- " 1.2: Dimension sheet added
- " 1.3 Cutting dimensions corrected / Pic. of handles added

PRODUCT INFORMATION

GENERAL INFORMATION: Preparation

- This manual is part of the product and describes the safe and proper installation of the system. Please read the instructions carefully before installation
- Please note that the assembly should only be done by qualified and trained staff in strict compliance with all details indicated in this document. Improper installation in variation from manufacturer's specification may cause defects and danger, thus endangering the safe fixing of the product as well as the safety of the prospective user. The liability of the manufacturer shall be excluded in case of defects and consequential damages resulting from incorrect assembly of this product.
- Please check the completeness of the delivered parts and check carefully if any transport damages are visible.
- If any parts are damaged or lost, please immediately contact the responsible supplier.
- It is assumed that you have exactly identified all cutting dimensions according to the measurement instruction for **raumplus** products.

SYMBOLE:

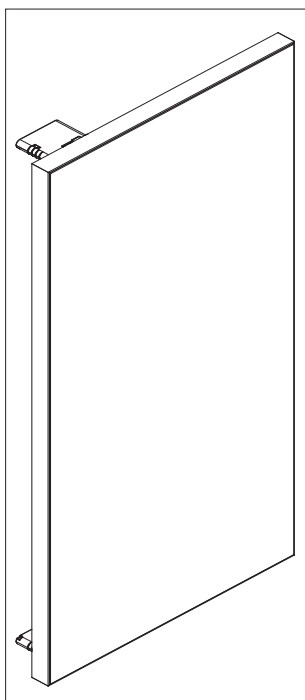
Symbol	Importance
	Risk or danger!
	Advice and information
	Additional information / other documents
	Directional data / direction of movement
	„yes“ and „right“
	„no“ and „wrong“
	Follow the order

SYSTEM:

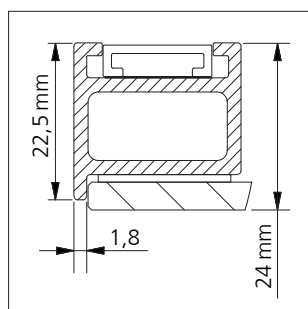
System Information: RPS

- max. weight of element = **20 kg**
- min./max. door height = **300 mm / 2500 mm**
- min./max. door width = **300 mm / 620 mm**

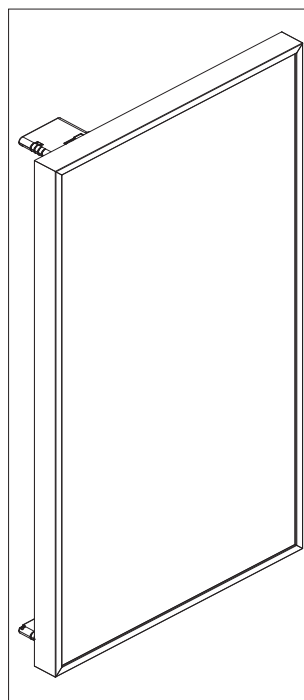
ACCESSORIES



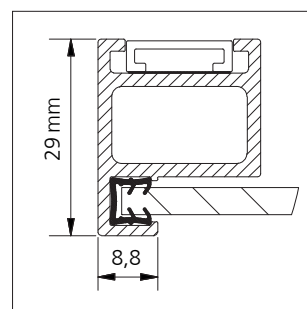
1_



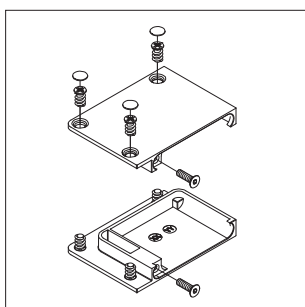
2_ 52.11.0xx



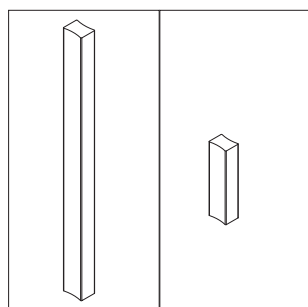
3_



4_ 52.01.0xx



5_ 10.52.01x



6_ 10.01.93x / 10.52.01x

1_ RPS door, Frame profile **22,5** mm

2_ Frame profile **22,5** mm, RPS
 silver 52.11.020
 dark bronze 52.11.050

3_ RPS door, Frame profile **29** mm

4_ Frame profile **29** mm, RPS
 silver 52.01.020
 dark bronze 52.01.050

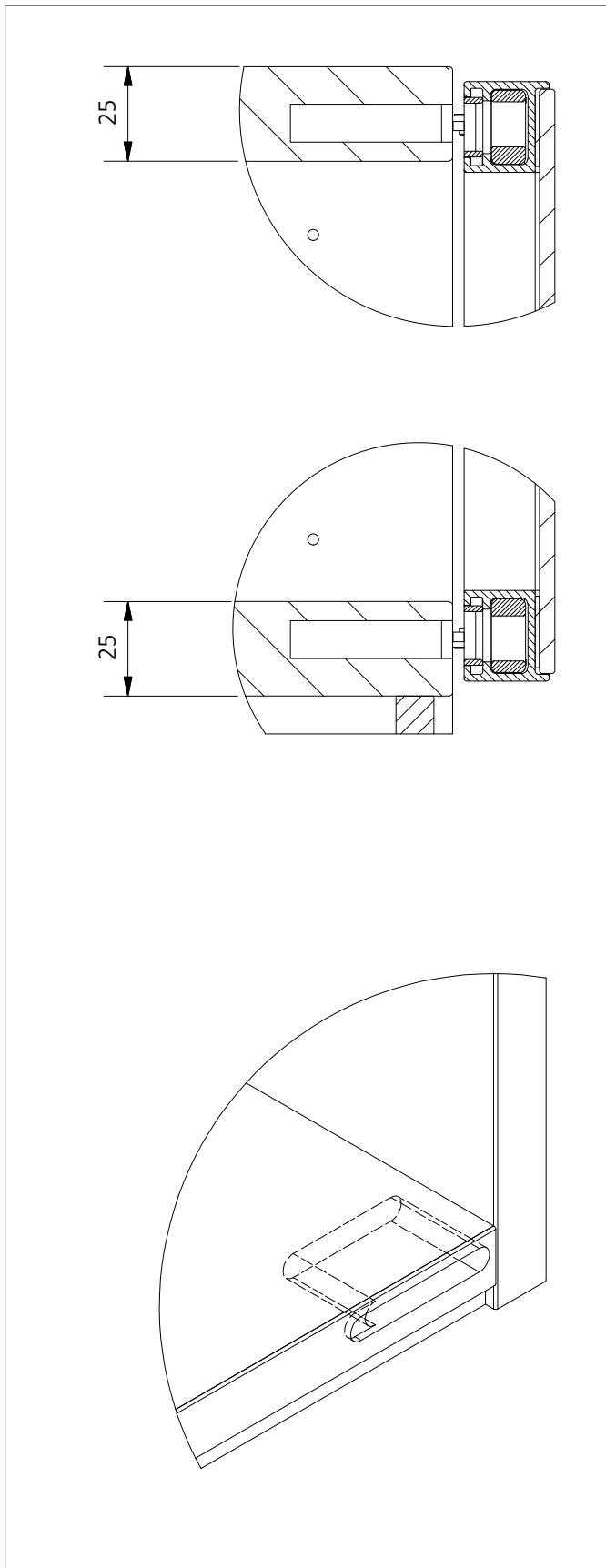
5_ Adapter plate set RPS
 silver lacquered 10.52.015
 dark bronze lacquered 10.52.016

silber eloxiert 10.01.931
 dunkelbronze lackiert 10.01.933

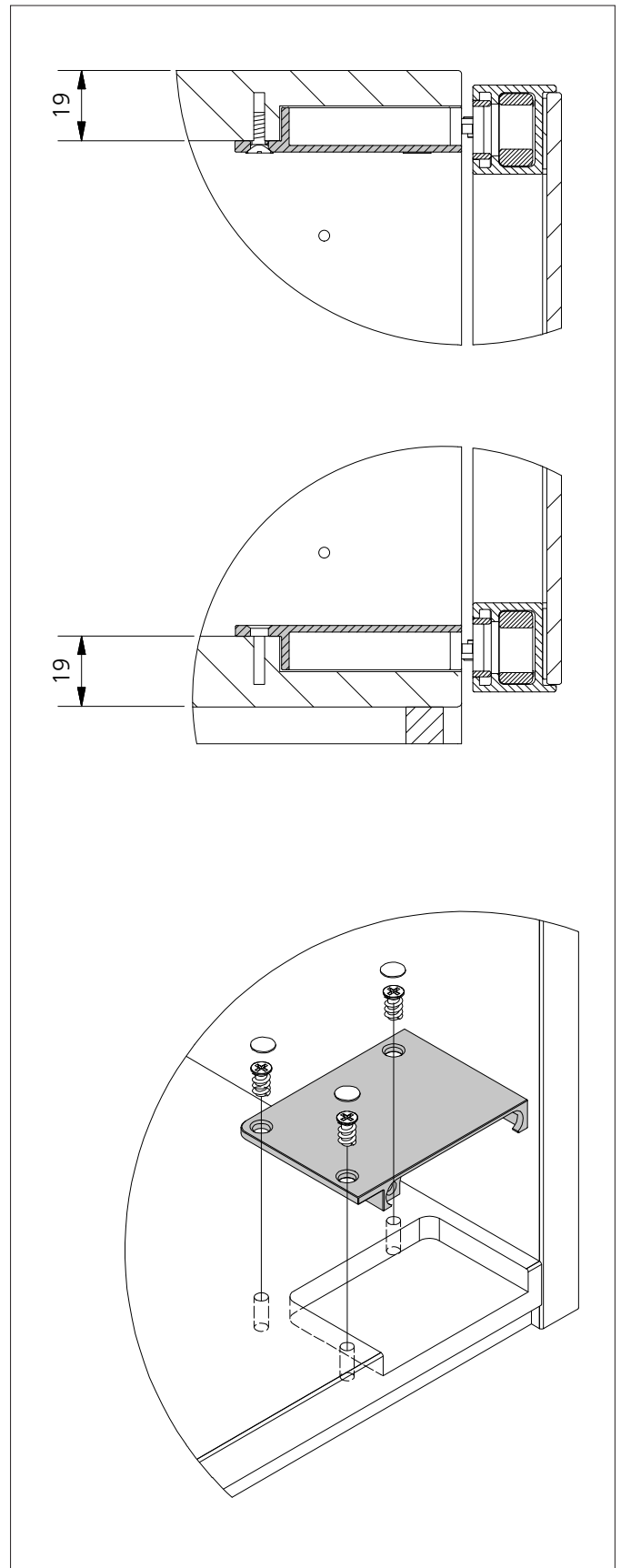
silber eloxiert 10.52.040
 dunkelbronze lackiert 10.52.041

VARIANTS

INSTALLATION VARIANTS ON THE CORPUS EXAMPLE FRAME PROFILE **22,5 mm**



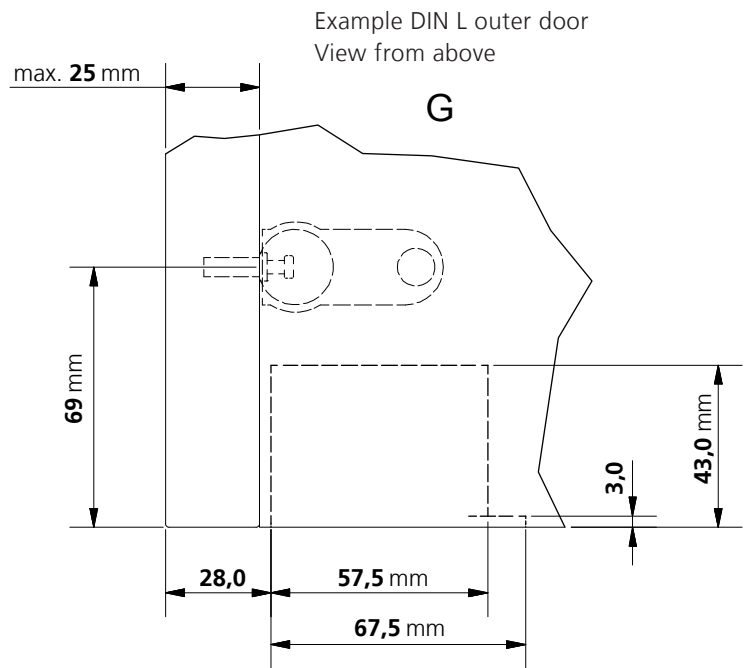
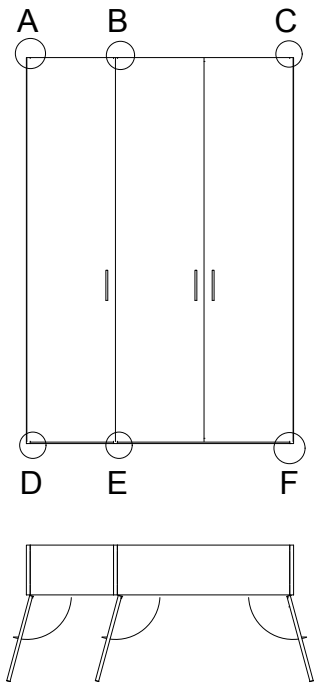
1_ Inserted inge variant (Pages 6 - 7)



2_ Adapter variant (Pages 8 - 9)

MILLING PATTERN - SHELVES

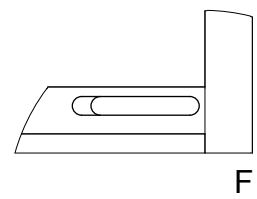
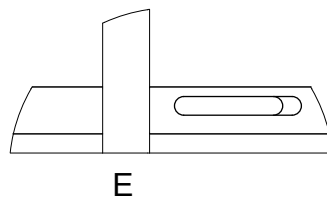
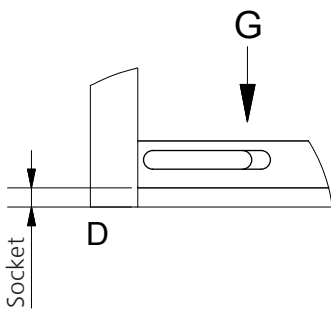
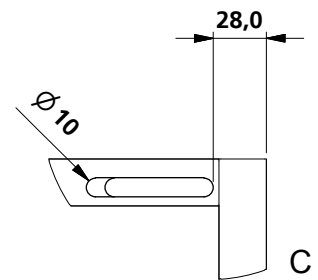
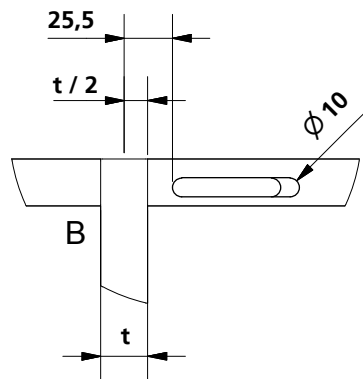
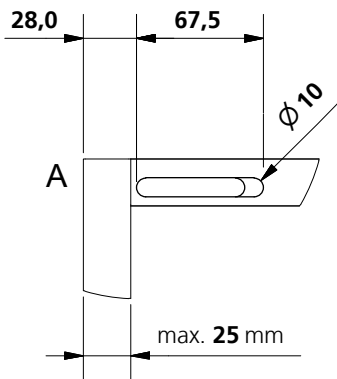
INSERTED HINGE VARIANT



Corner stop

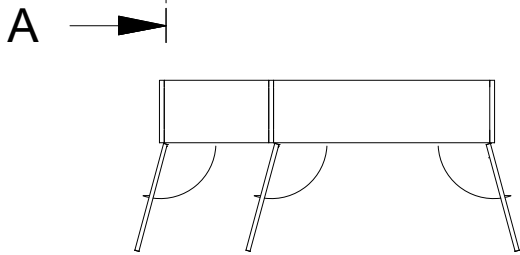
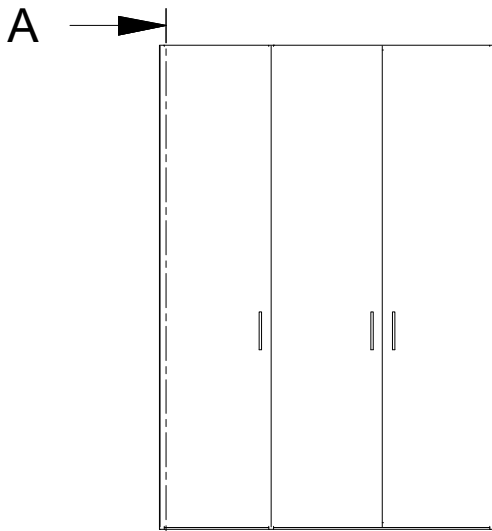
Half overlay

Corner stop



CALCULATION OF DOOR HEIGHT

VERTICAL SECTION INSERTED HINGE VARIANT



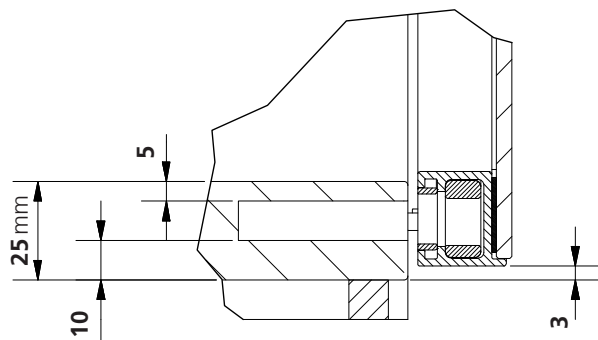
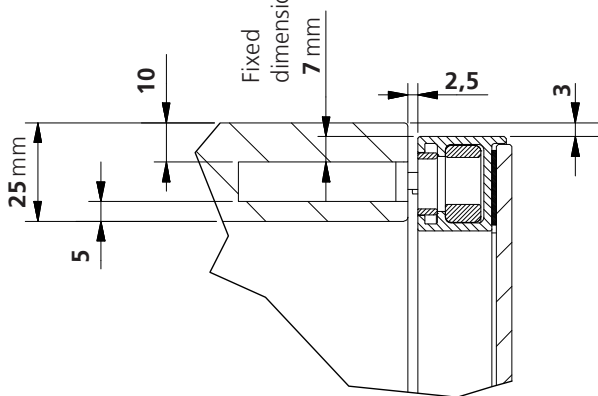
Inserted variant			
t	a	Gap	Door height
19 mm	6,5 mm	0 mm	CH = DH
22 mm	9,5 mm	2,5 mm	CH - 5 mm
25 mm	10,0 mm	3 mm	CH - 6 mm
28 mm	10,0 mm	3 mm	CH - 6 mm
32 mm	10,0 mm	3 mm	CH - 6 mm

Material thicknes **t** = _____

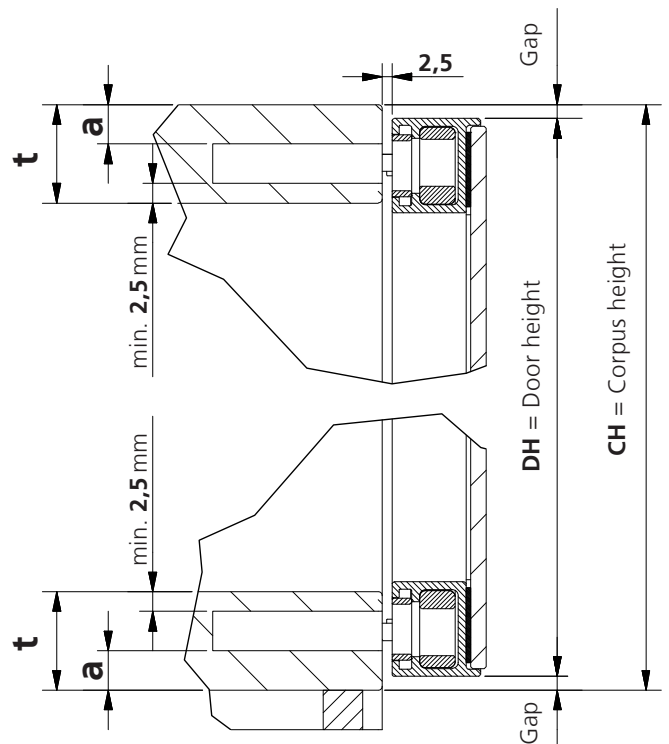
Corpus height **CH** = _____

Door height **DH** = _____

e.g. FPY 25 mm

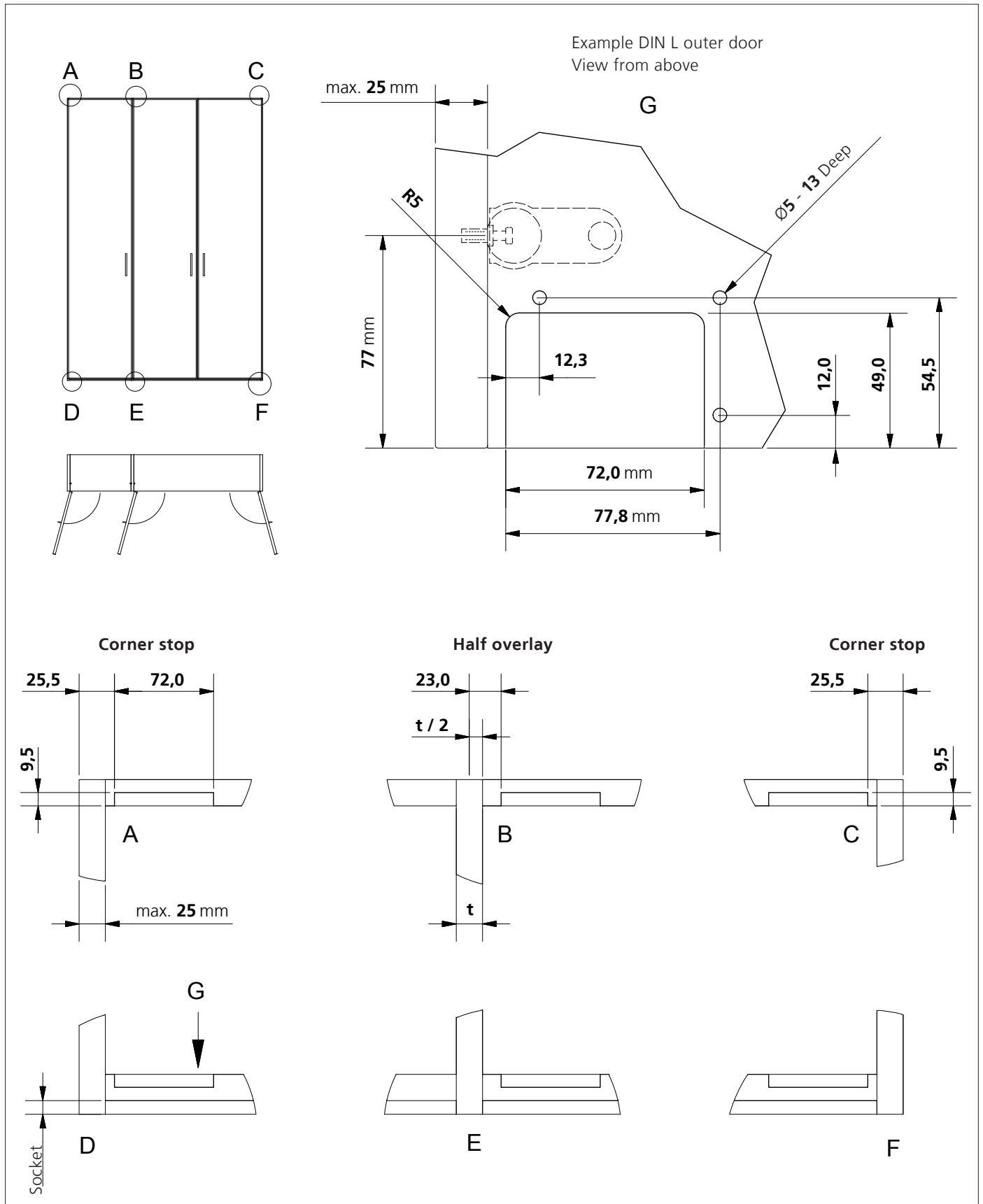


with variables



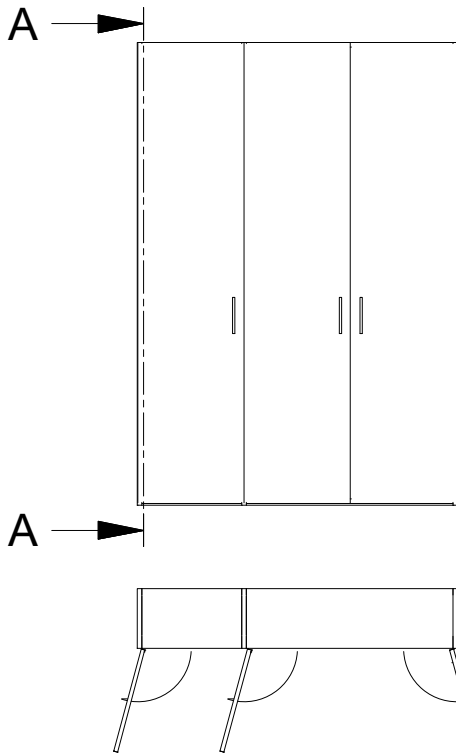
MILLING PATTERN - SHELVES

ADAPTER VARIANT



CALCULATION OF DOOR HEIGHT

VERTICAL SECTION ADAPTER VARIANT



No drawers can be installed in the area of the adapter plates.

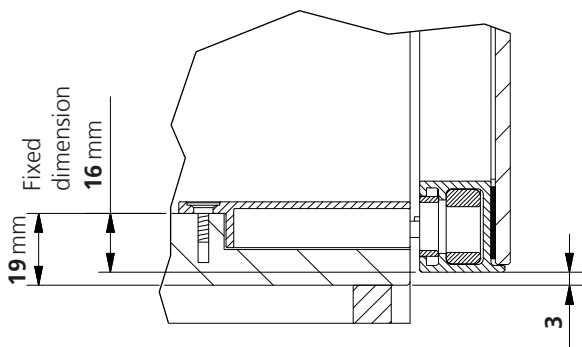
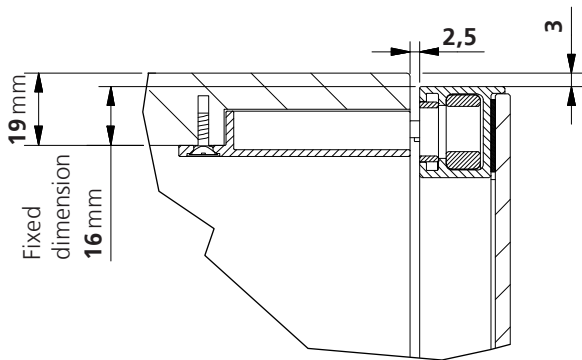
Table of variables		
t	Gap	Door height
18 mm	2 mm	CH - 4 mm
19 mm	3 mm	CH - 6 mm
22 mm	6 mm	CH - 12 mm
25 mm	9 mm	CH - 18 mm
28 mm	12 mm	CH - 24 mm
32 mm	16 mm	CH - 32 mm

Material thickness **t** = _____

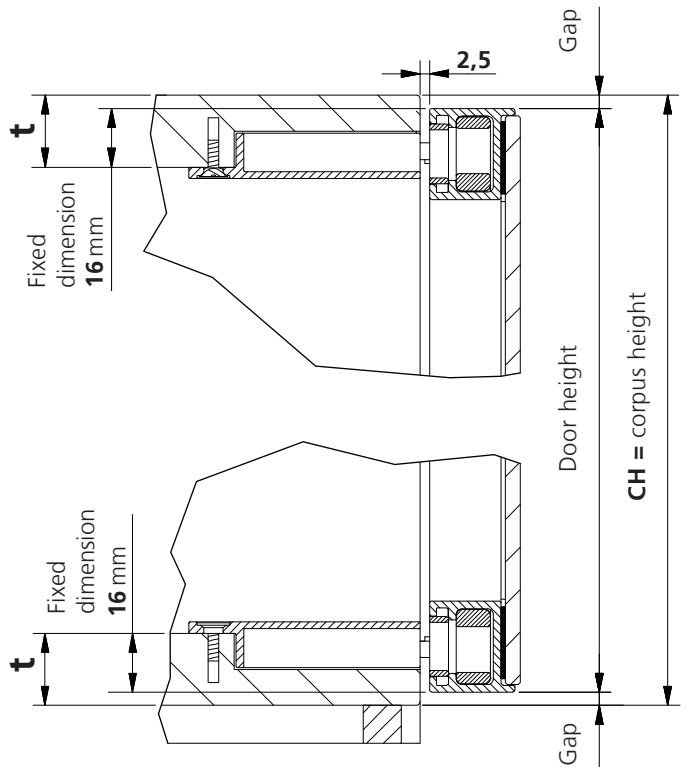
Corpus height **CH** = _____

Door height **DH** = _____

e.g. FPY 19 mm

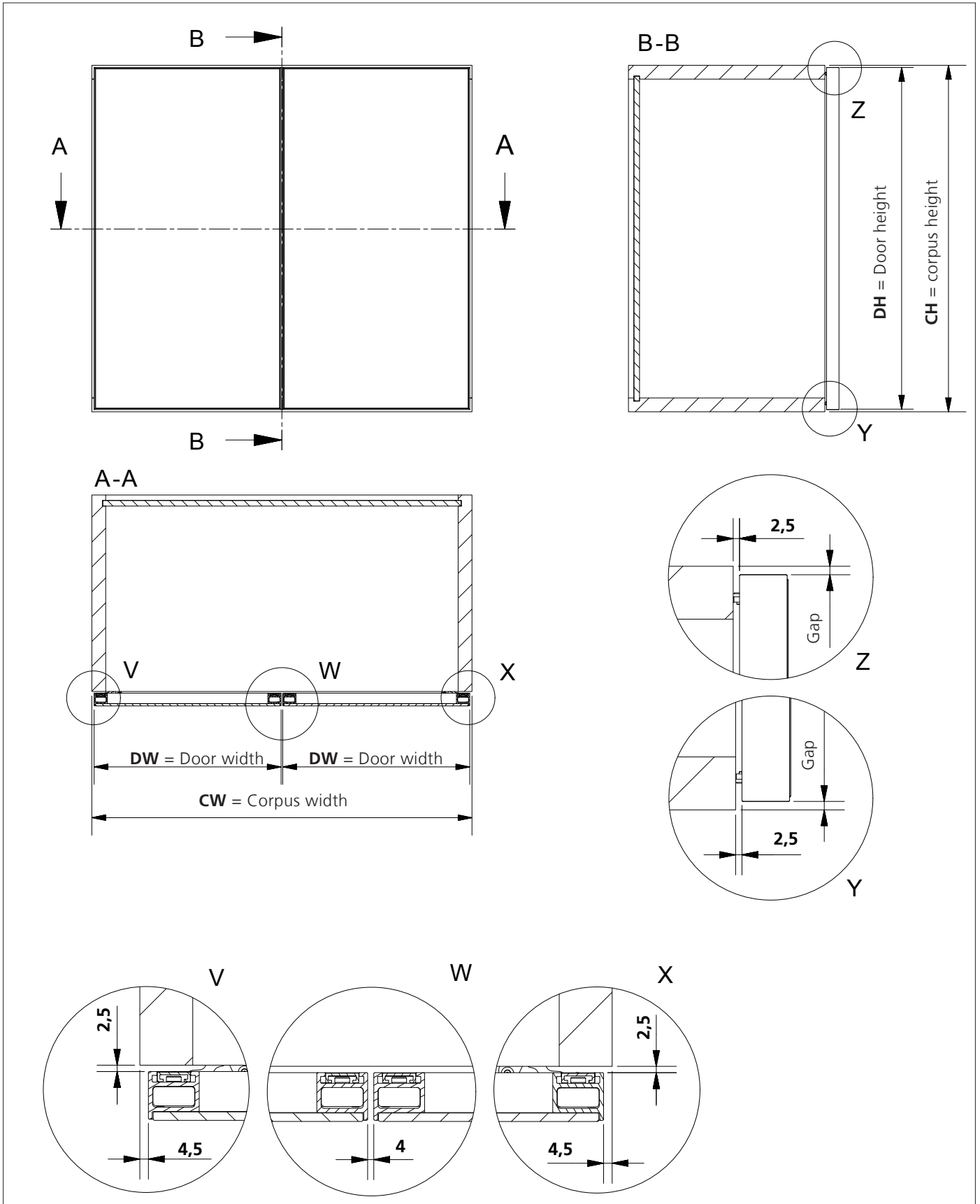


with variables



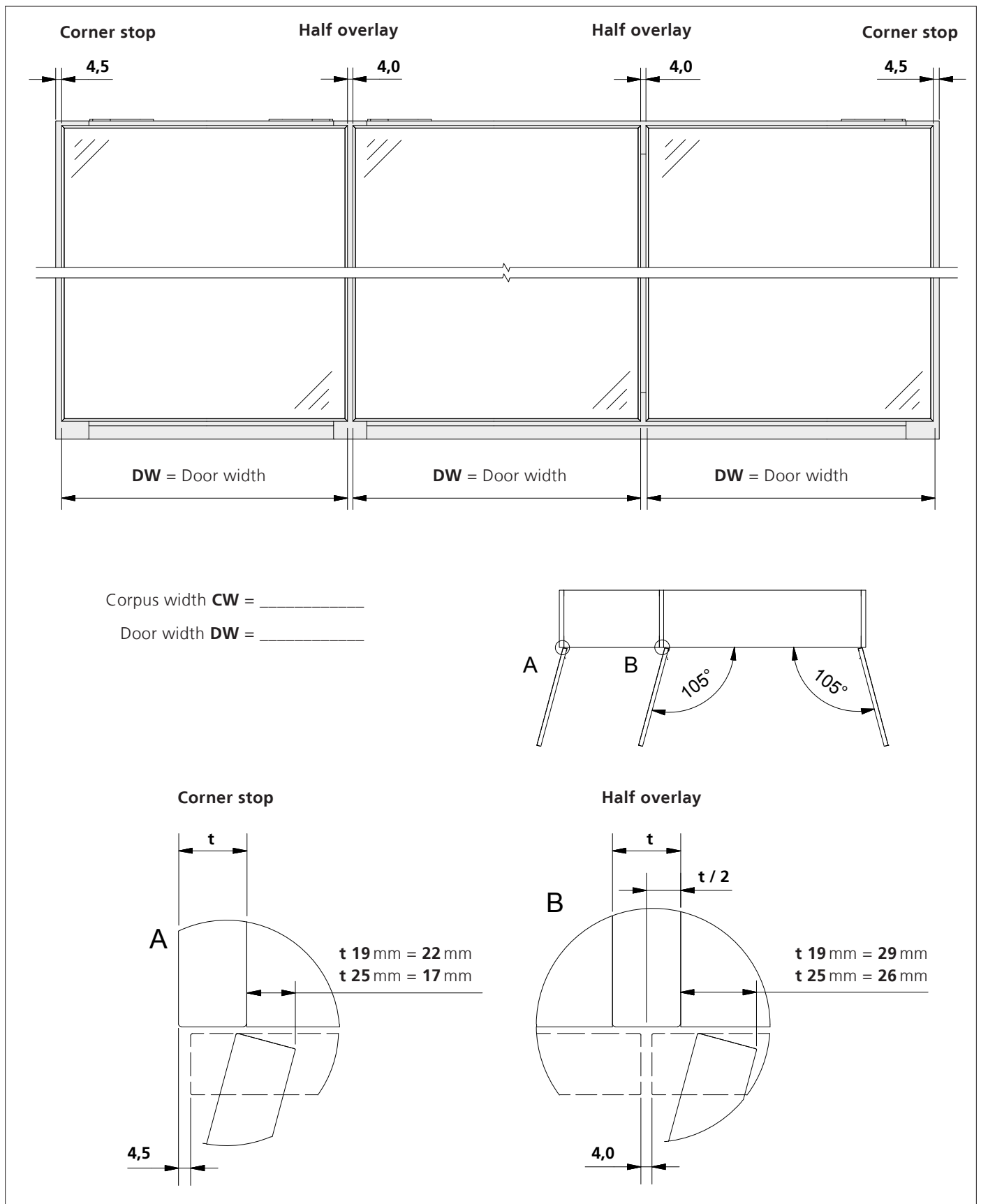
DETAIL DRAWING

DIMENSIONS CORPUS



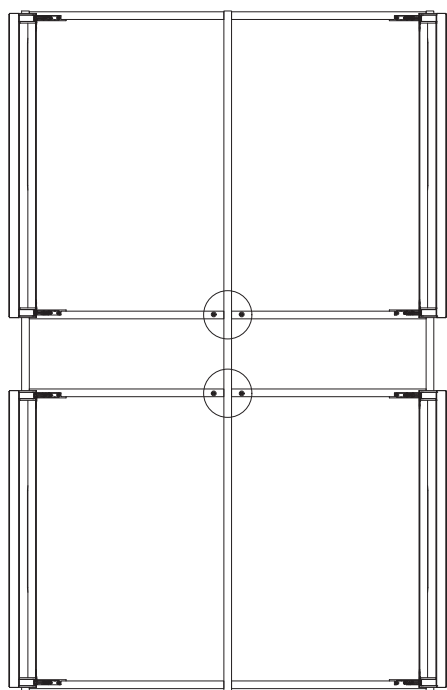
CALCULATION OF DOOR WIDTH

GAP LAYOUT



DETAIL DRAWING

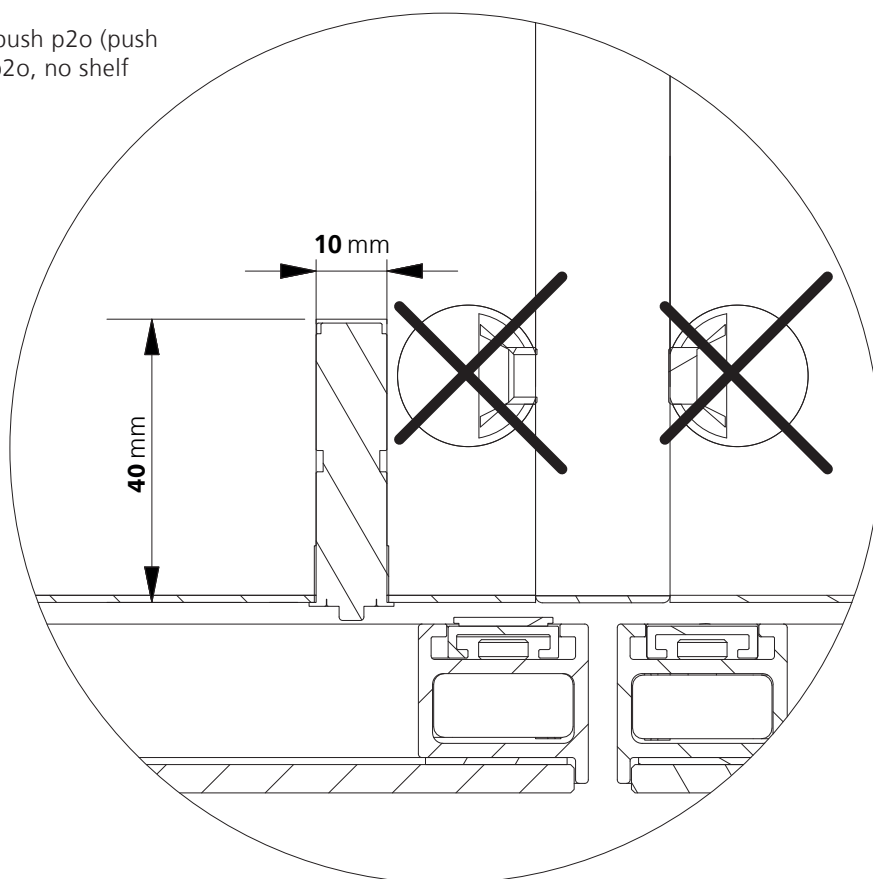
MAGNETIC PUSH P2O (PUSH TO OPEN)



For magnetic push p2o: for the door hinge p2o (push to open), a construction shelf must be planned. The front edge of the shelf must be flush with the sides.



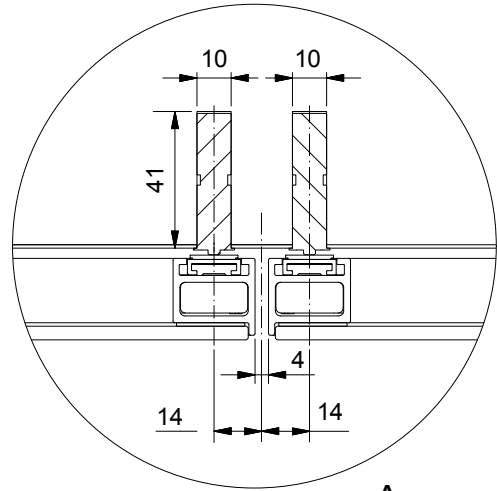
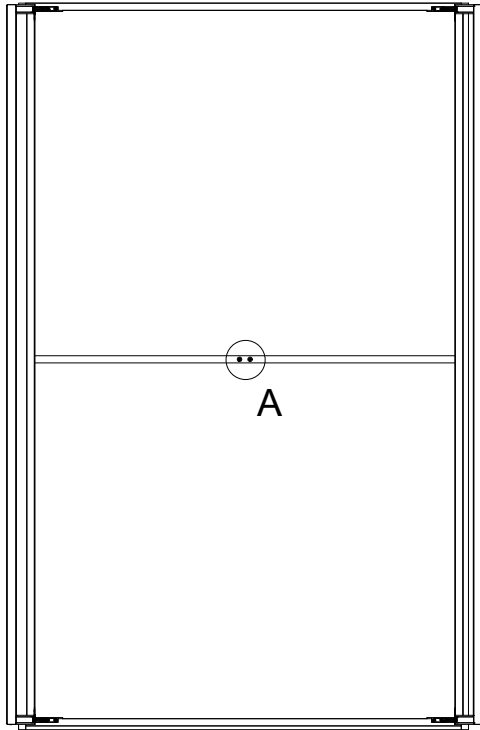
In the area of the magnetic push p2o (push to open for the door hinge p2o), no shelf support should be used.



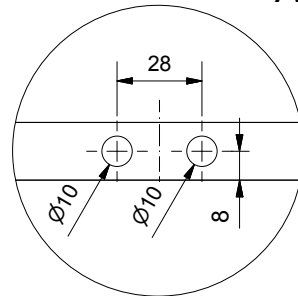
1_ Changes to the shelves with RPS hinge doors

DETAIL DRAWING

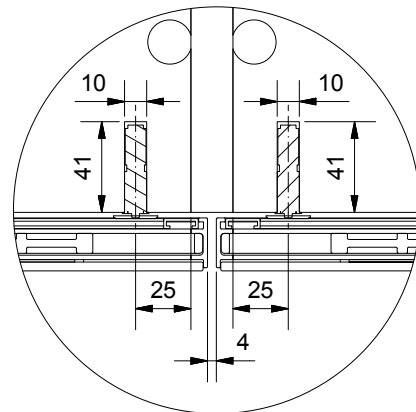
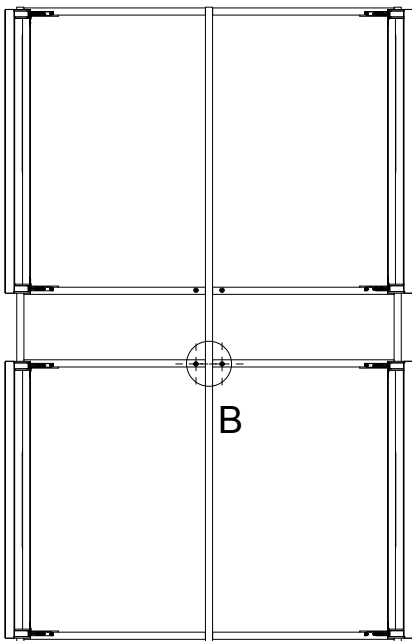
MAGNETIC PUSH P20 (PUSH TO OPEN)



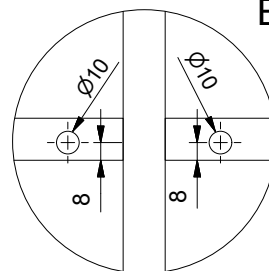
A



Push to open hinges are only intended for cabinets with semi-high doors.



B



Customer:	
Commission:	
Order processing No.:	

Frame profile **22,5 mm**, RPS

RPS information

	min.	max.
Door weight	/	je: 20 kg
Door height	300 mm	2500 mm
Door width	300 mm	620 mm

Frame profile **22,5 mm**, RPS

PS = (DW - 4 mm) x (DH - 4 mm)

Panel tolerance: +0,0 ; -1,0 mm

Glass thickness: 4 mm

All edges sanded and polished chamfer 1mm x 45°

DW = Door width

DH = Door height

R = Rail

S = Stilel

CP = Cover profile

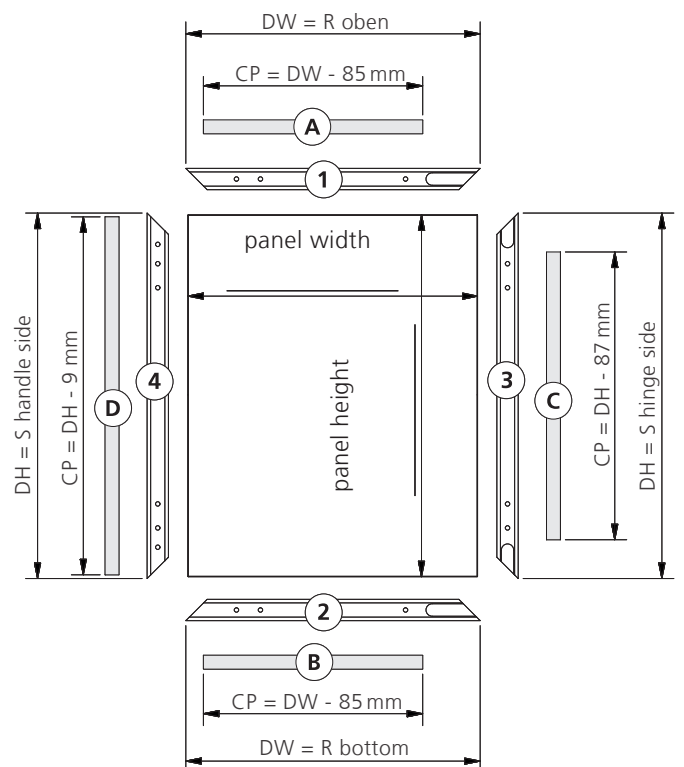
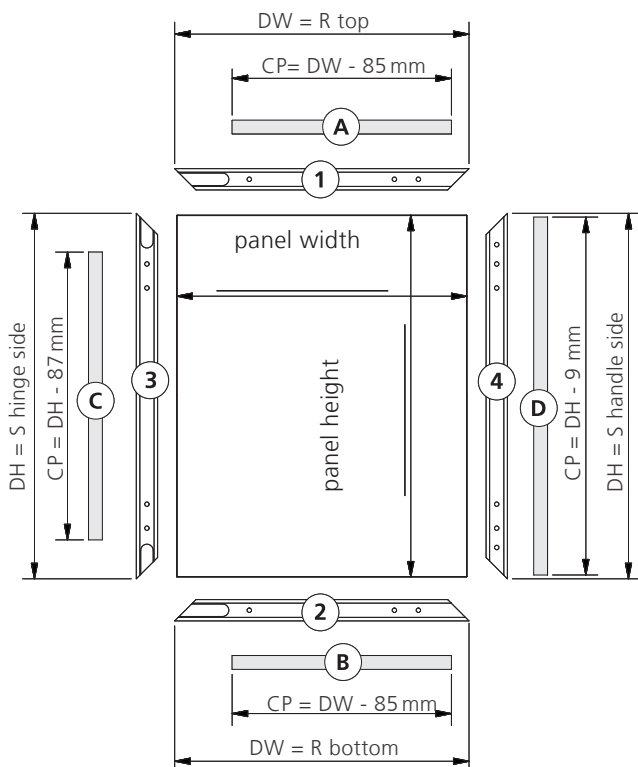
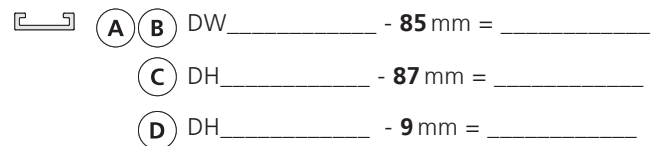
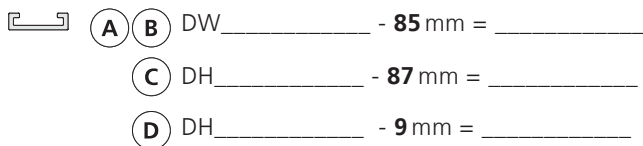
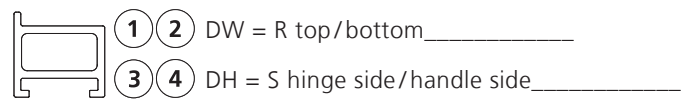
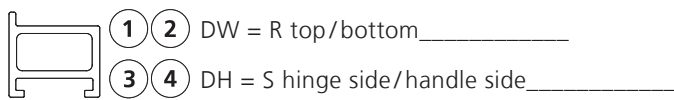
PS = Panel size



Only colored glass with safety foil.

Door with left-hand hinge

Door with right-hand hinge



Processor: _____

Name, Date

Customer:	
Commission:	
Order processing No.:	

Frame profile **29 mm, RPS**

RPS information

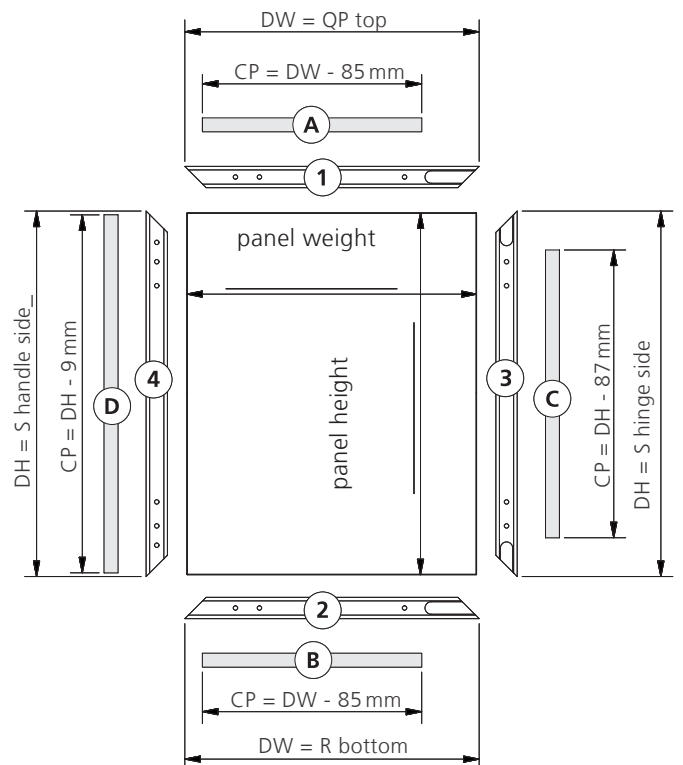
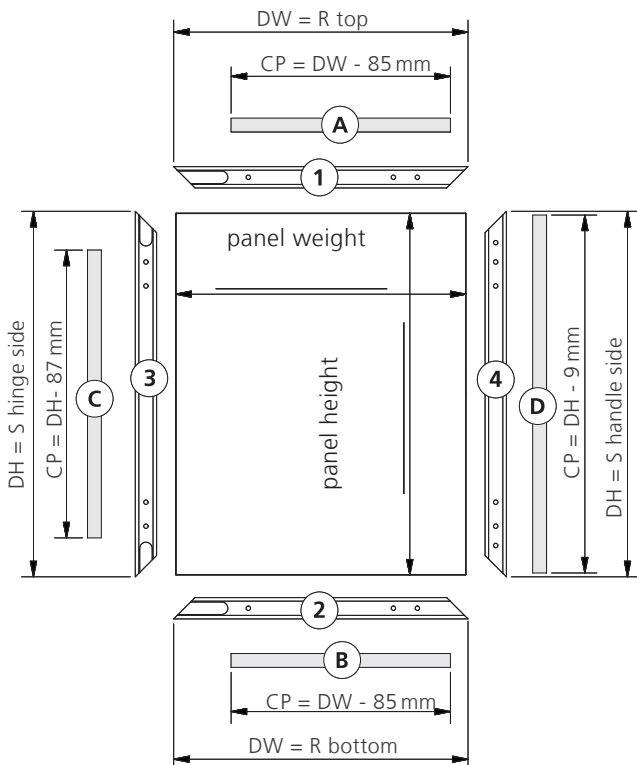
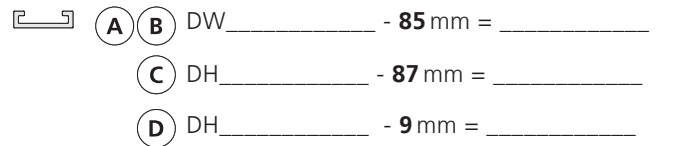
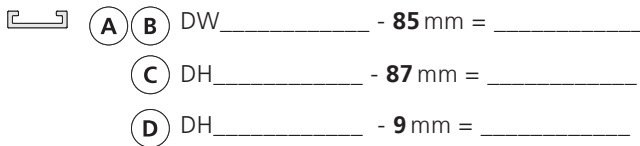
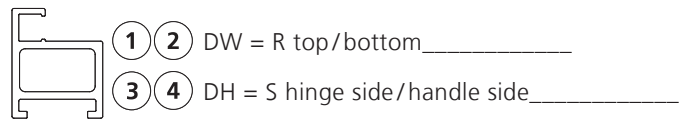
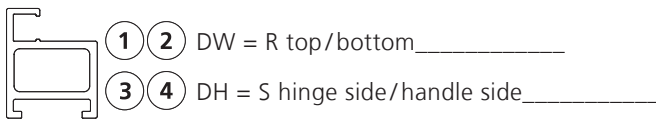
	min.	max.
Door weight	/	je: 20 kg
Door height	300 mm	2500 mm
Door width	300 mm	620 mm

Frame profile **29 mm, RPS**
 PS= (DW - 7 mm) x (DH - 7 mm)
 Glass thickness: 4 mm
 All edges sanded

DW = Door width
 DH = Door height
 R = Rail
 S = Stile
 CP = Cover profile
 PS = Panel size

Door with left-hand hinge

Door with right-hand hinge



Processor: _____
 Name, Date