


SLIDING DOOR: ASSEMBLY INSTRUCTION

SERIES 1200 LED DOOR

Version 1.3 (2016-11-22)

4.03.1.c

Assembly  easy medium difficult

Subject to technical changes.

raumplus

CONTENT AND TOOLS

CONTENT:

| | | |
|----------------------|------|----|
| Content and tools | page | 02 |
| Product information | page | 03 |
| Accessories | page | 05 |
| Detail drawings | page | 06 |
| Cutting dimensions | page | 08 |
| Assembly instruction | page | 09 |

TOOLS:

(without claim of completeness)

- Hack saw
- Allen key set
- Drilling machine
- Drill set metall
- Rubber mallet
- Wire cutting pliers
- Pencil
- Water level
- Straight edge (optionally)
- Mounting aid LED strip



VERSION INFORMATION:









Version 1.1: Added system information
Version 1.2: Mounting aid LED strip added
Version 1.3: Handle / Gasket added

PRODUCT INFORMATION

GENERAL INFORMATION: Preparation

- This manual is part of the product and describes the safe and proper installation of the system. Please read the instructions carefully before installation
- Please note that the assembly should only be done by qualified and trained staff in strict compliance with all details indicated in this document. Improper installation in variation from manufacturer's specification may cause defects and danger, thus endangering the safe fixing of the product as well as the safety of the prospective user. The liability of the manufacturer shall be excluded in case of defects and consequential damages resulting from incorrect assembly of this product.
- Please check the completeness of the delivered parts and check carefully if any transport damages are visible.
- If any parts are damaged or lost, please immediately contact the responsible supplier.
- It is assumed that you have exactly identified all cutting dimensions according to the measurement instruction for **raumplus** products.

SYMBOLE:

| Symbol | Importance |
|---|--|
|  | Risk or danger! |
|  | Advice and information |
|  | Additional information / other documents |
|  | Electrostatic discharge prevent |
|  | Directional data / direction of movement |
|  | „yes“ and „right“ |
|  | „no“ and „wrong“ |
|  | Follow the order |

SYSTEM:

System Information: S1200 LED 24V System

- max. weight of element = **180 kg**
- min./max. door height = **700 mm / 2750 mm**
- min./max. door width = **500 mm / 1400 mm**
- Calculation (W): **1 m = 7,8 W** Max **60W** per door.

60W = 7,69m LED strip

PRODUCT INFORMATION

GENERAL INFORMATION: **Product safety**

- The sliding door system complies with the prior of the art and the authorized safety rules at the time of delivery.

USE:

Intended use

- The prerequisite for the intended use of our products is the professional installation according to our installation instruction. Sufficient fittings must be available and durably installed to all relevant places. The function of the fittings must not be hindered or altered during installation.
- Special solutions are only possible in consultation with **raumplus**.

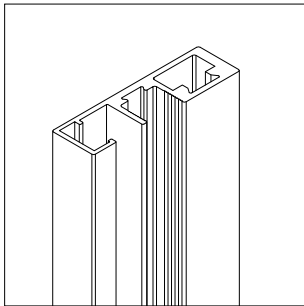
Incorrect use

- Risk or danger may occur in the following cases:
 - the door system has improperly been installed or maintained
 - the safety and installation instructions have not been followed.
 - after improper installation or inadequate fixing (e.g. to parts of buildings)
 - the maximum weight of the doors has been exceeded.
 - the maximum wattage of EVG's (electronic ballast) is exceeded.
 - improper shock and case loads or other additional loads on the fittings have occurred
 - the fittings have been used outside.
 - body parts or objects got into the closing edges or door runnings during use of the door wing.
 - the door system is not used as intended.

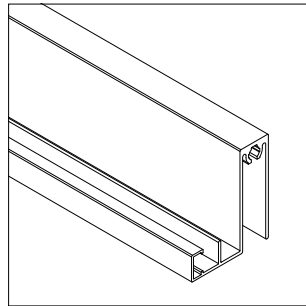
Structural modifications

- Structural modifications that are not offered as an accessory from **raumplus** may only be attached or installed with permission of **raumplus GmbH**!

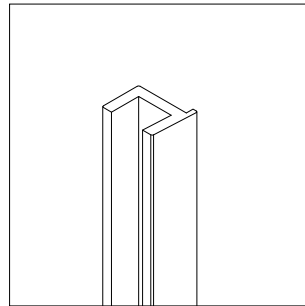
ACCESSORIES



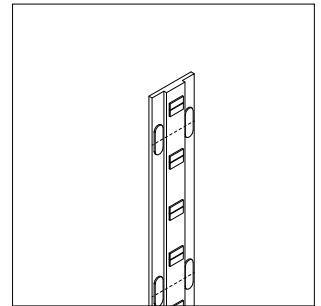
1_ 12.11.022



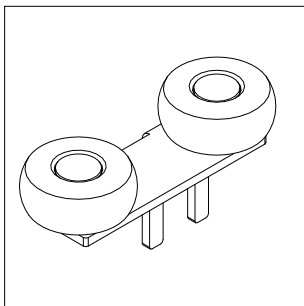
2_ 12.16.020



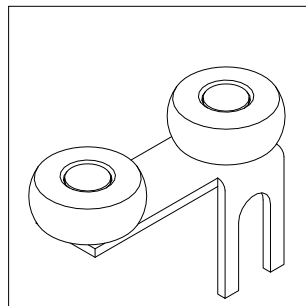
3_ 12.17.010



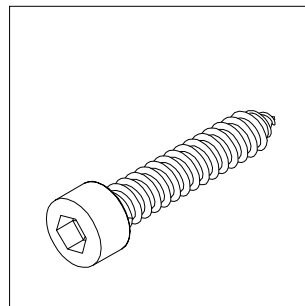
4_ 10.42.040 / 10.42.041



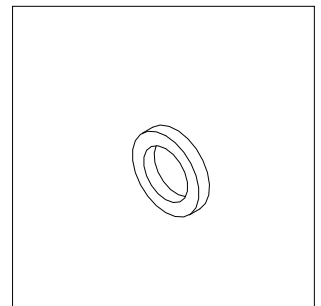
5_ 10.01.013



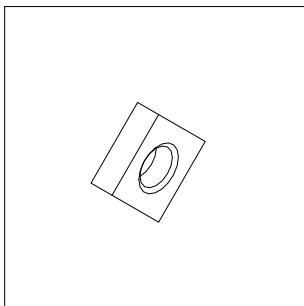
6_ 10.01.014



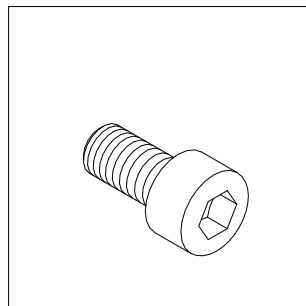
7_ 10.07.21x



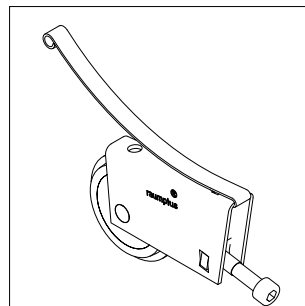
8_ 10.07.215



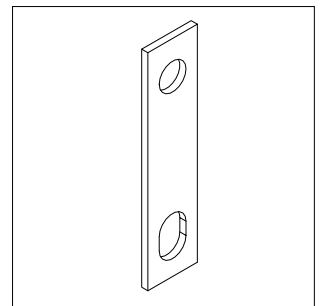
9_ 10.42.051



10_ 10.42.052



11_ 10.01.120



12_ 10.01.070

1_ Stile S1200 LED

2_ Rail S1200 LED

3_ Cover profile for LED door

4_ LED strip f. stile S1200

2,800 mm, incl. Lead 2m

LED strip f. rail S1200

2,800 mm, incl. Leads 2 + 3m

5_ Top roller S1200 left

6_ Top roller S1200 right

7_ Frame screws 6,3 x 32mm

8_ Washer for frame screw

9_ M6 square nut

10_ DIN 912 - M6 x 12 socket head cap screw

11_ Bottom roller incl. antijump,

12_ Reinforcement for punching holes

without illustration:

13_ Double sided tape 9mm x 50mm

(25.12.058)

14_ LED Y- distributor

(10.42.043)

15_ Panel

16_ Cover set profiles

(10.42.050)

17_ Countersink set w. guiding pin

(30.14.020)

for drilling template S1200

18_ Press-on tool for LED stripe

(30.15.031)

19_ Gasket all series transparent

(10.07.0xx)

20_ Gasket all series dark

(10.07.1xx)

21_ Handle rectangular, self-adhesive

(10.01.91x)

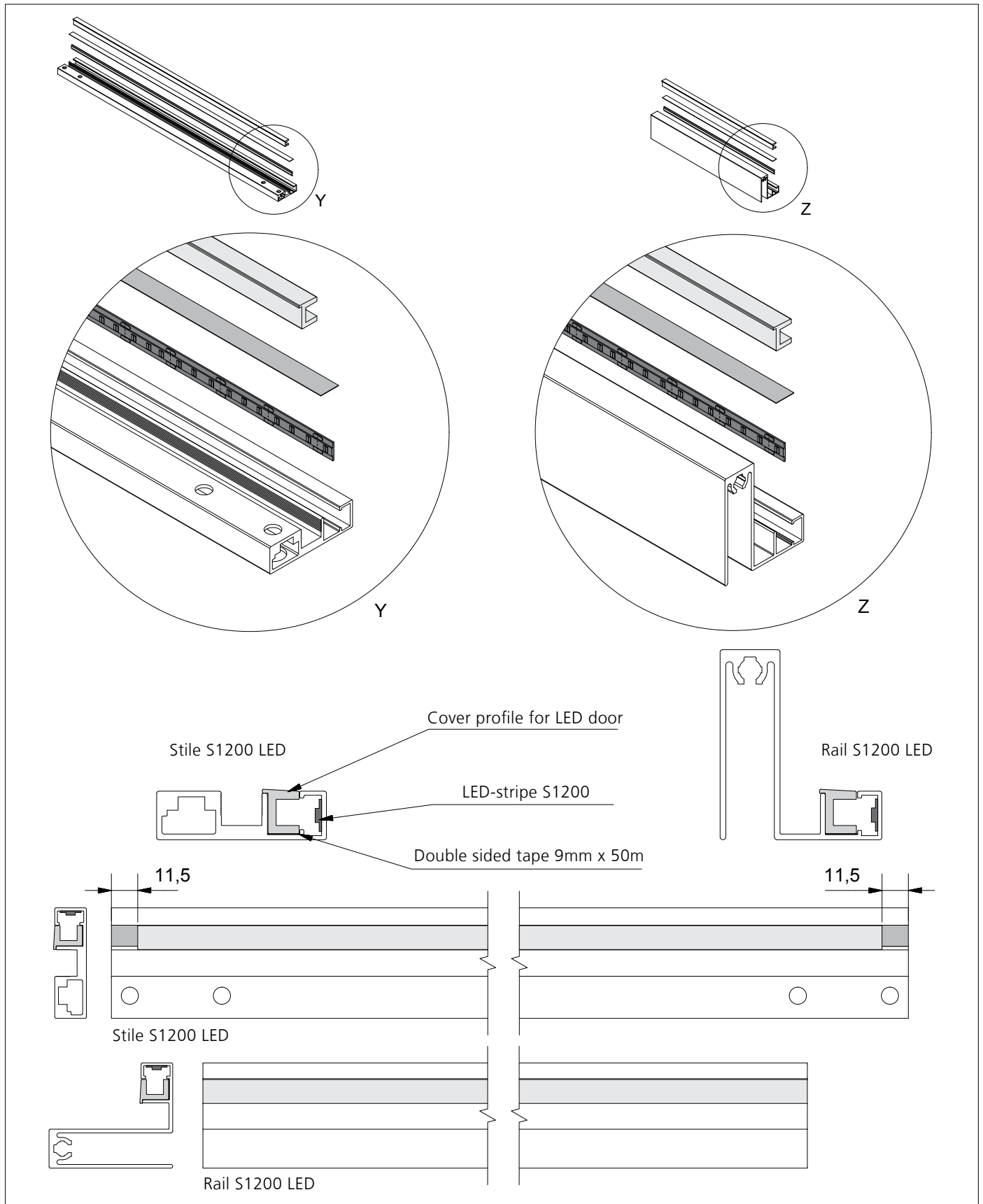
22_ Handle rectangular (backside) for walkthrough

(10.01.94x)

(only for wood panel)

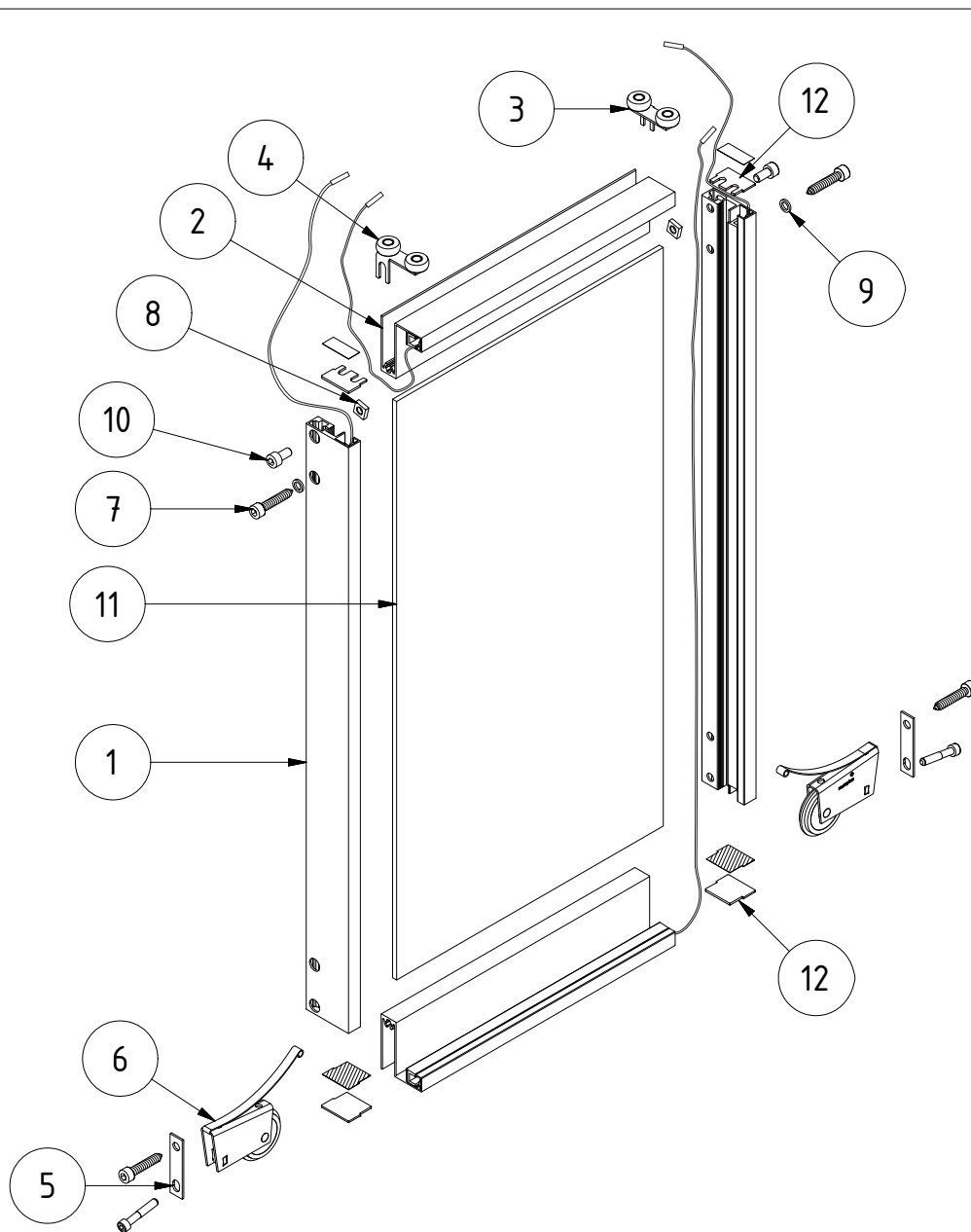
DETAIL DRAWING

ASSEMBLY OF LED LIGHTING



DETAIL DRAWING

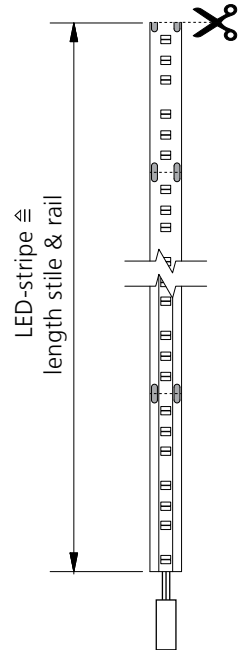
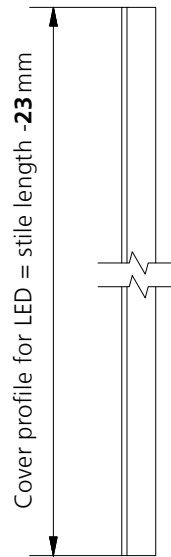
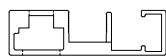
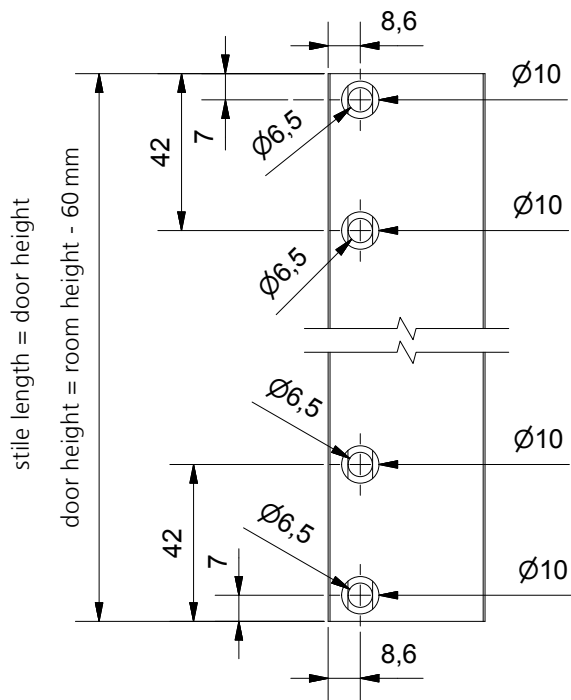
EXPLODED DRAWING



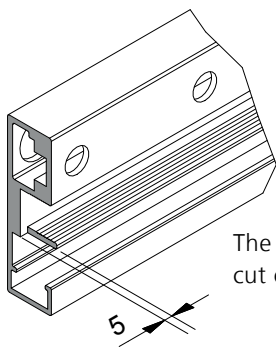
| Item list | | | |
|-----------|----------|----------------------------------|-----------|
| Object | Quantity | Item | Item no. |
| 1 | 2 | Stile S1200 LED | 12.11.022 |
| 2 | 2 | Rail S1200 LED | 12.16.020 |
| 3 | 1 | Top roller S1200 right | 10.01.014 |
| 4 | 1 | Top roller S1200 left | 10.01.013 |
| 5 | 2 | Reinforcement for punching holes | 10.01.070 |
| 6 | 2 | Bottom roller incl. antijump, | 10.01.120 |
| 7 | 4 | Frame screws 6,3 x 32mm | 10.07.21x |
| 8 | 2 | M6 square nut | 10.42.051 |
| 9 | 2 | Washer for frame screw | 10.07.215 |
| 10 | 2 | M6 x 12 socket head cap screw | 10.42.052 |
| 11 | 1 | Panel | - |
| 12 | 1 | Cover set profiles | 10.42.050 |

CUTTING DIMENSIONS

PROFILES / PANEL



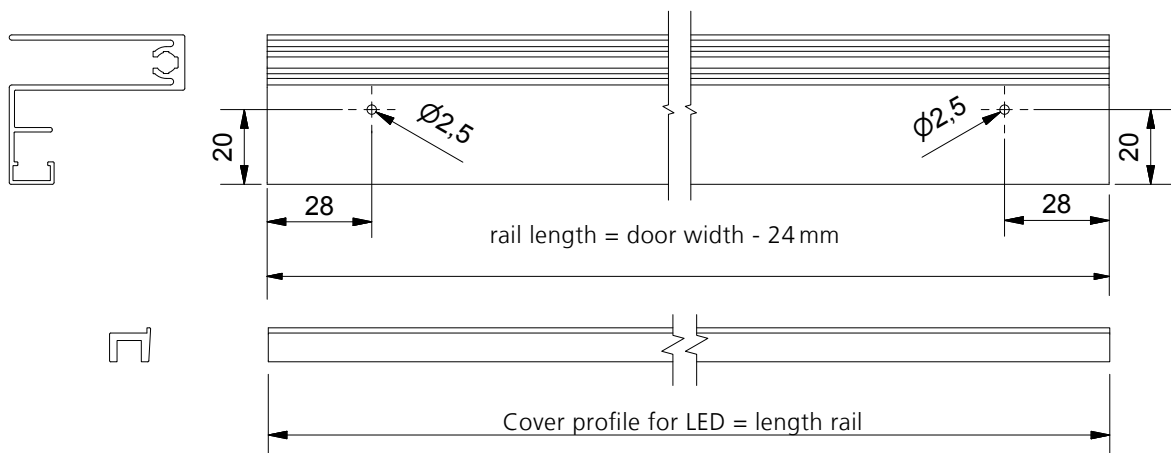
The LED-stripe can always be separated in the center of the copper points, every 100 mm.



The vertical stile must be cut on top and bottom.

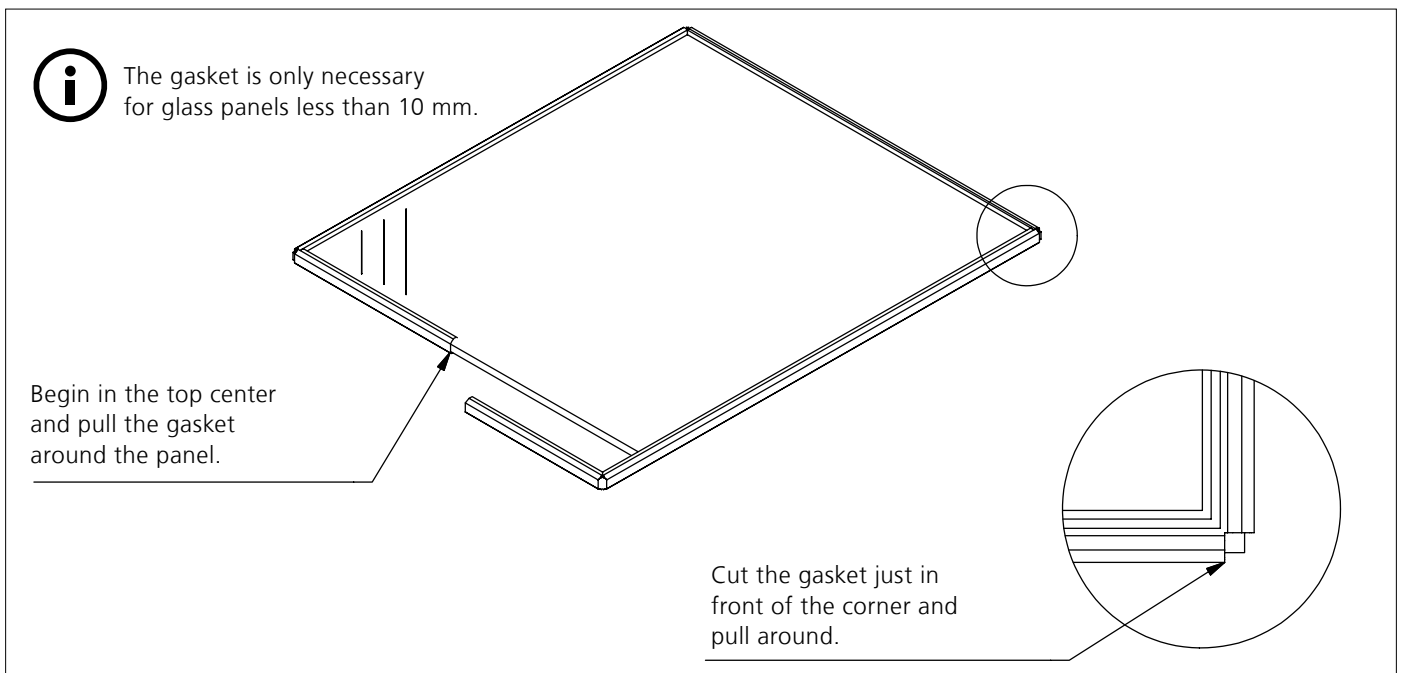
| Cutting dimensions for panel S1200 sliding door (without dividing rail): | |
|---|--|
| panel height | = door height - 6 mm wood-based material |
| | = door height - 7 mm gasket |
| panel width | = door width - 11 mm |

A The drills (2,5mm) for the mounting plate Energy chain only necessary in the upper rail.

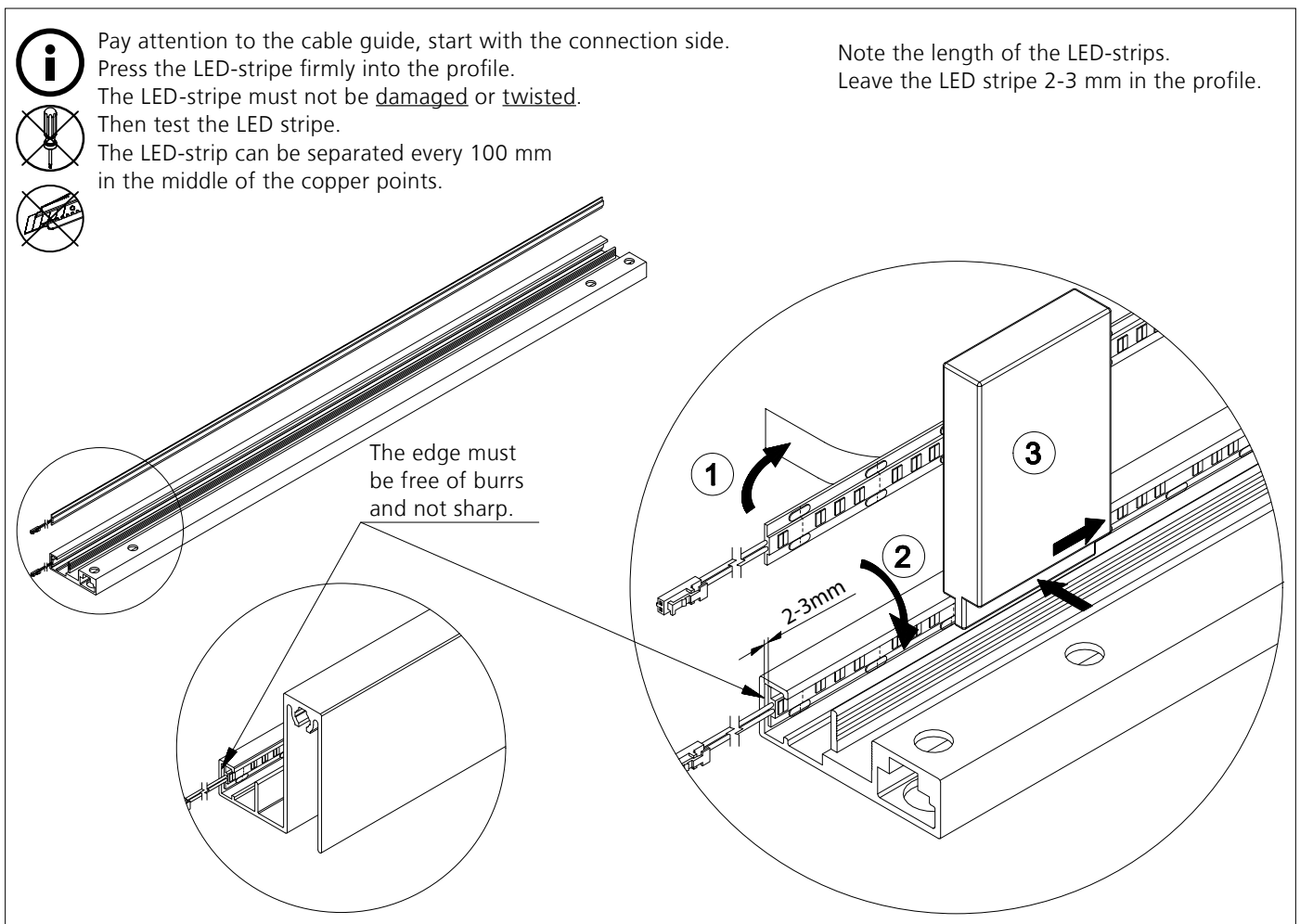


ASSEMBLY INSTRUCTION

PANEL AND PROFILES



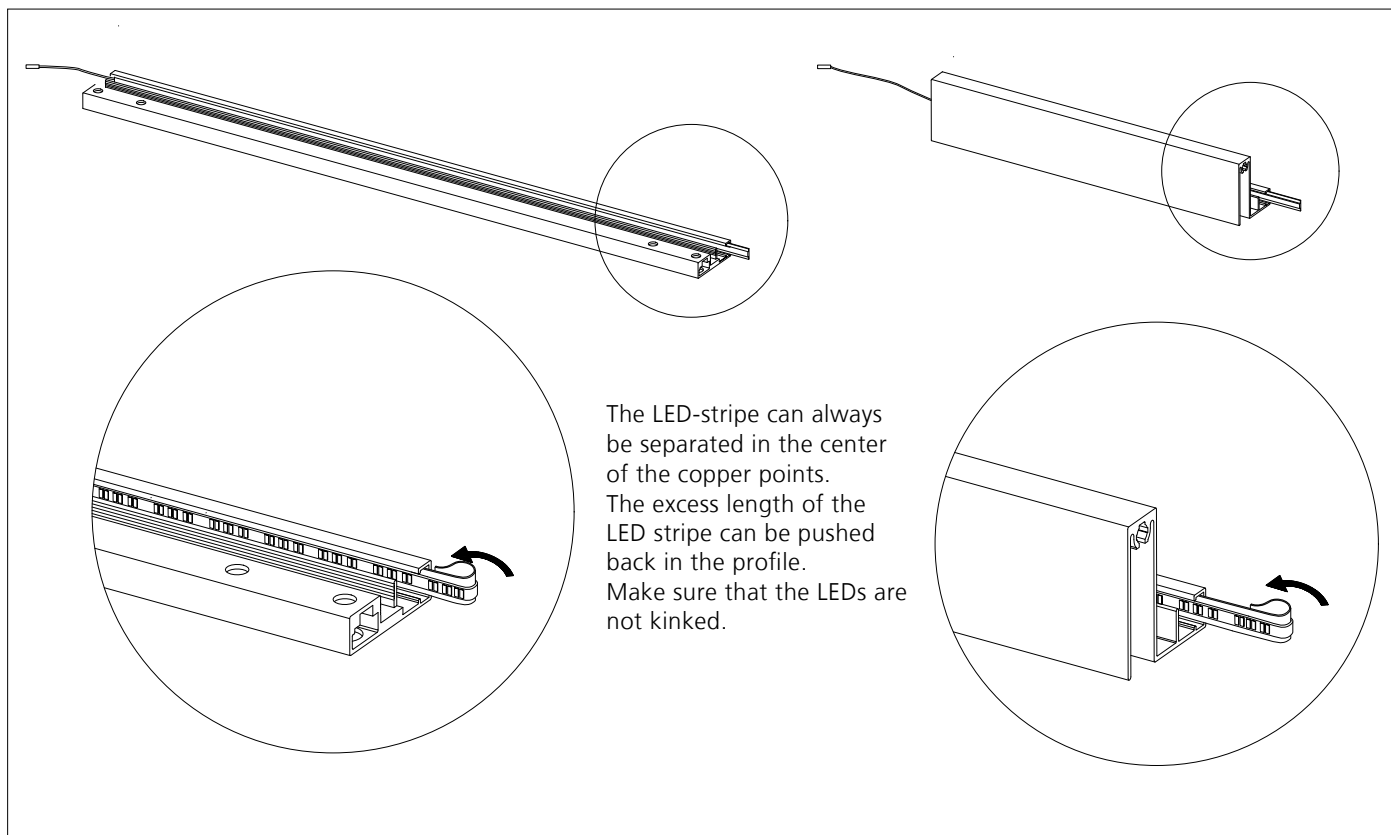
1_ Place panel on a table



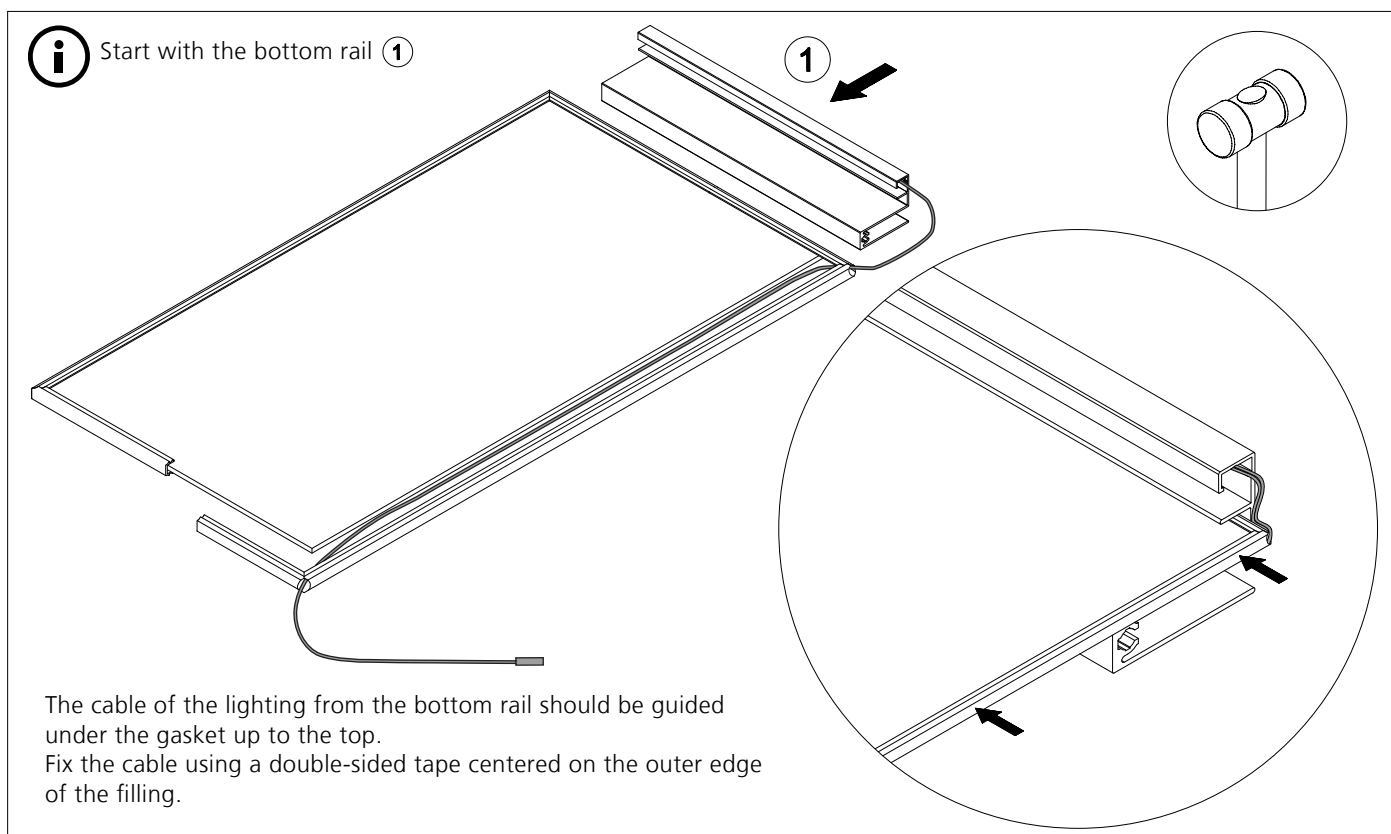
2_ Gluing the LED flexstrip / Press the LED band with the press-on tool for LED stripe firmly into the profile

ASSEMBLY INSTRUCTION

LED STRIPE



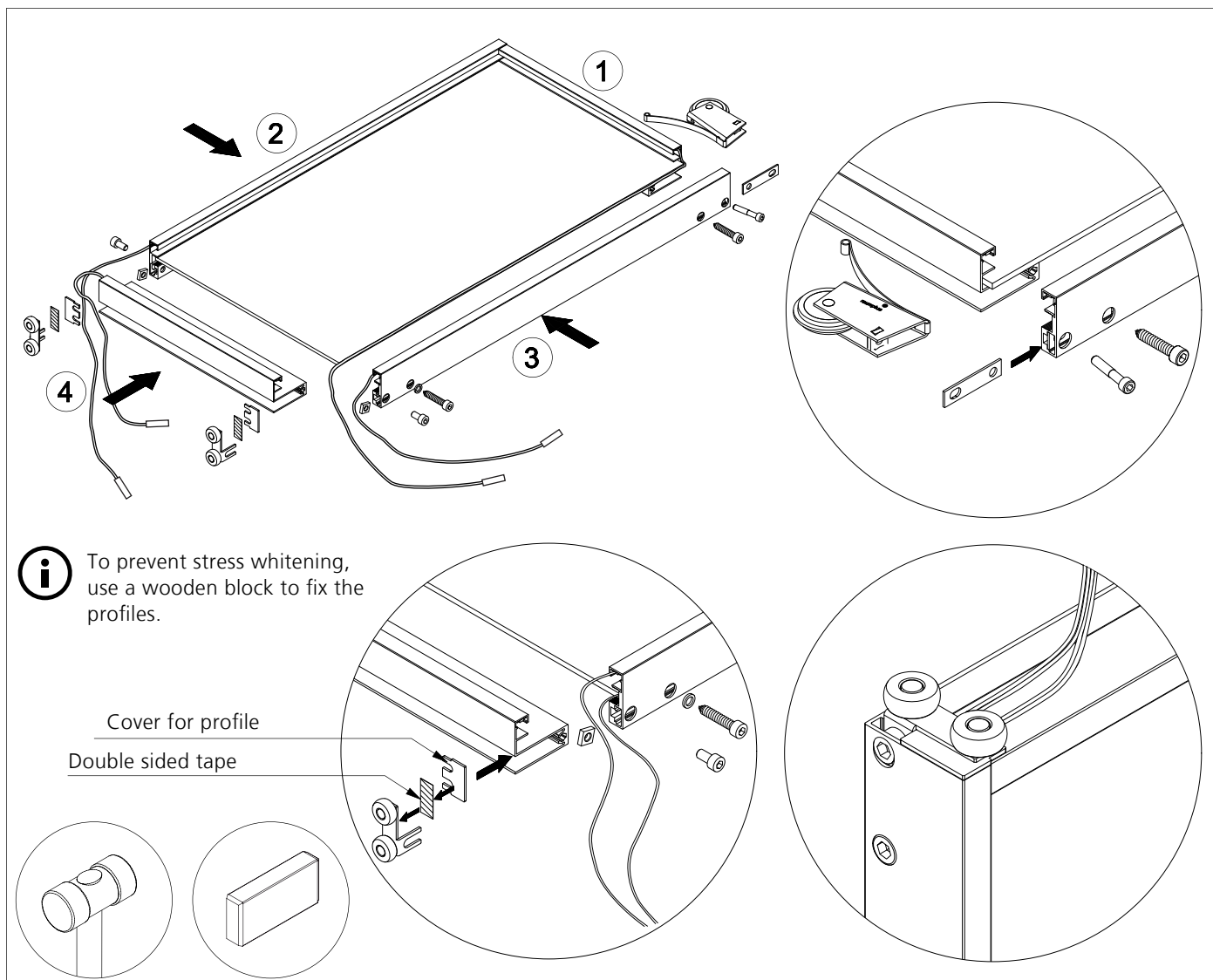
3_



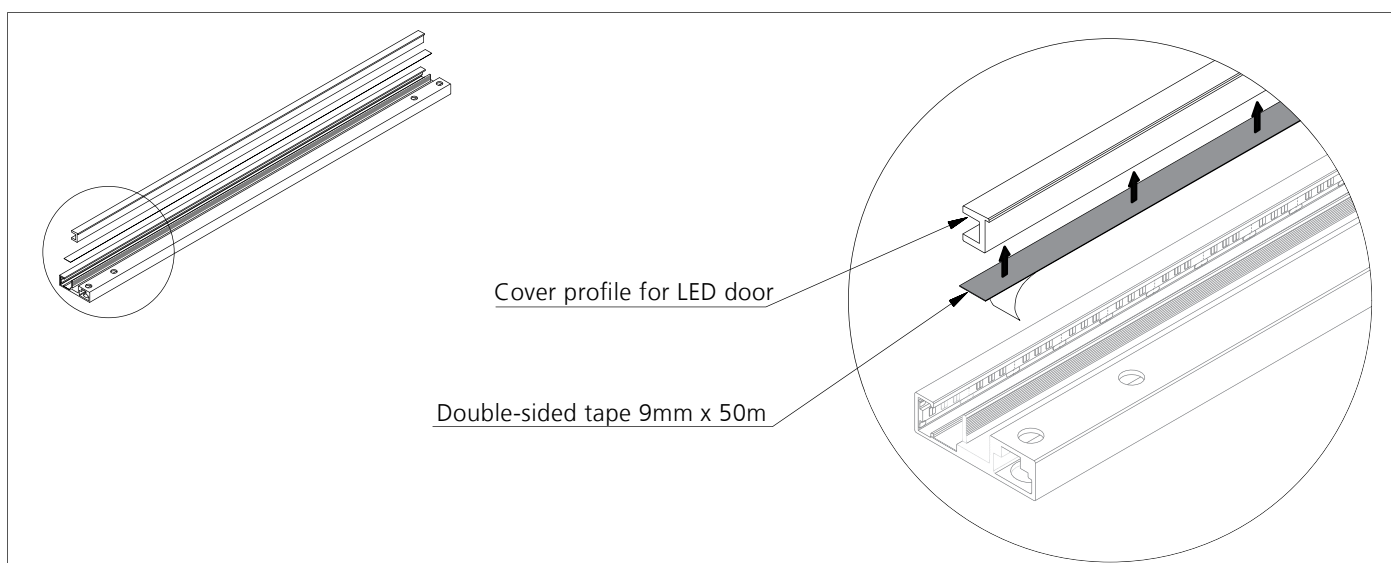
4_ Assembly of the LED-door

ASSEMBLY INSTRUCTION

LED-DOOR



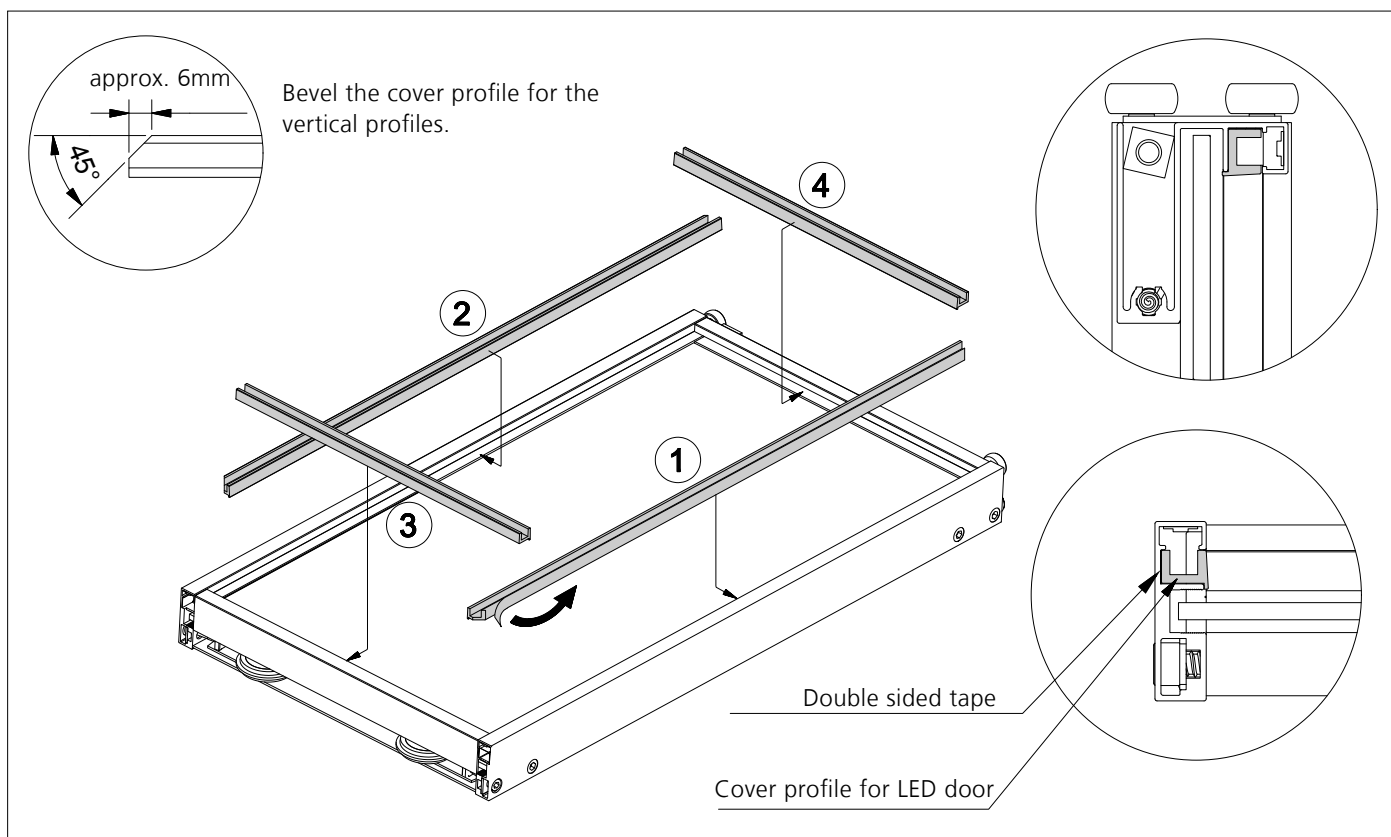
5_ Assembly of the LED-door



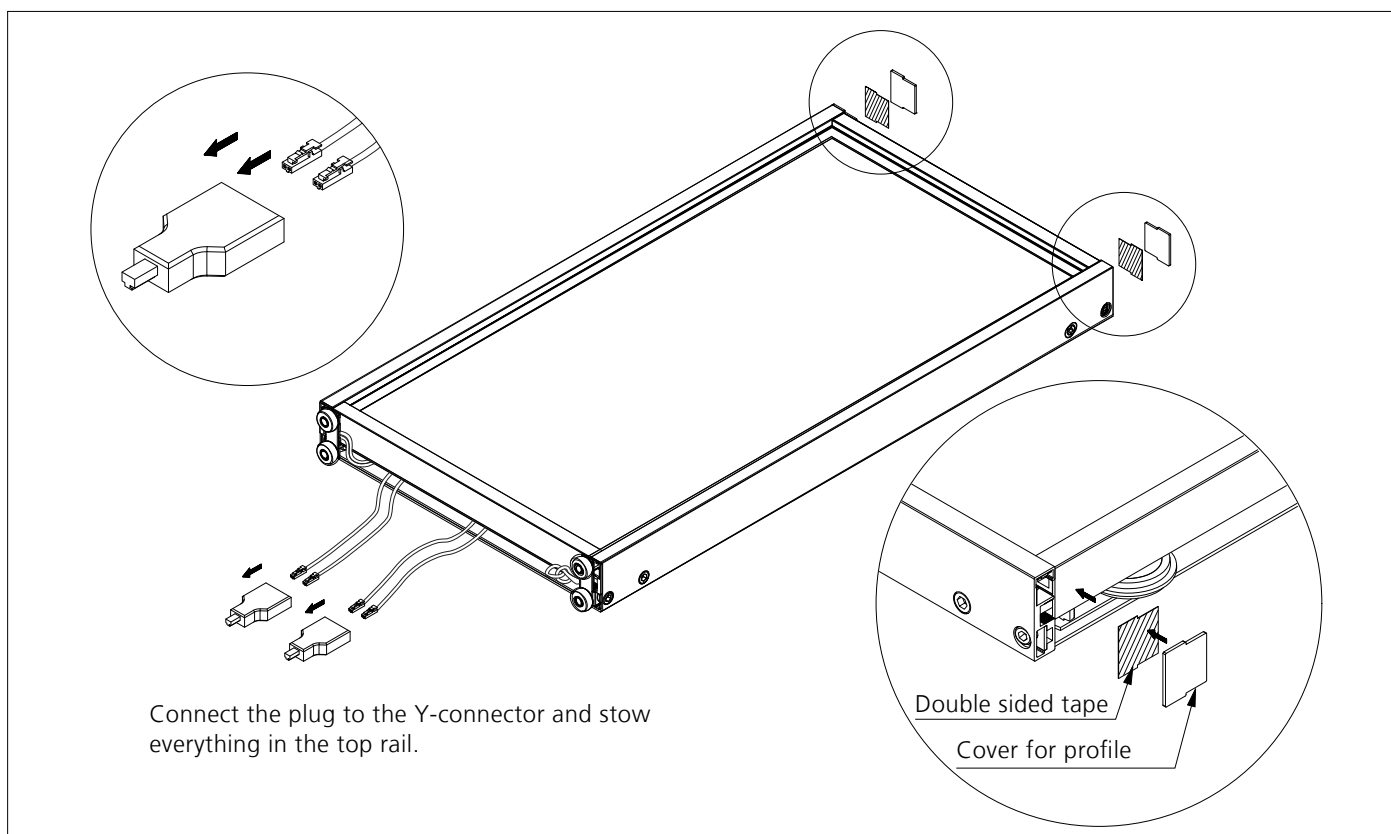
6_ Stick the double-sided tape on the cover profile

ASSEMBLY INSTRUCTION

COVER PROFILE



7_ Inserting the cover profile



8_