

HINGE DOOR: PLANNING

ALUMINUM FRAME HINGE DOOR RPS

Version 1.1 (2019-01-19)

2.30.4.c



Subject to technical changes.

raumplus

CONTENT AND TOOLS

CONTENT:

Content	page	02
Product information	page	03
Accessories	page	04
Installation variants on the corpus	page	05
Inserted variant	page	06
Adapter variant	page	08
Dimensions	page	10
Gap layout	page	11
Magnetic push p2o	page	12
Cutting dimension	page	14



VERSION INFORMATION:








Version 1.1: Note on using colored glass

PRODUCT INFORMATION

GENERAL INFORMATION: Preparation

- This manual is part of the product and describes the safe and proper installation of the system. Please read the instructions carefully before installation
- Please note that the assembly should only be done by qualified and trained staff in strict compliance with all details indicated in this document. Improper installation in variation from manufacturer's specification may cause defects and danger, thus endangering the safe fixing of the product as well as the safety of the prospective user. The liability of the manufacturer shall be excluded in case of defects and consequential damages resulting from incorrect assembly of this product.
- Please check the completeness of the delivered parts and check carefully if any transport damages are visible.
- If any parts are damaged or lost, please immediately contact the responsible supplier.
- It is assumed that you have exactly identified all cutting dimensions according to the measurement instruction for **raumplus** products.

SYMBOLE:

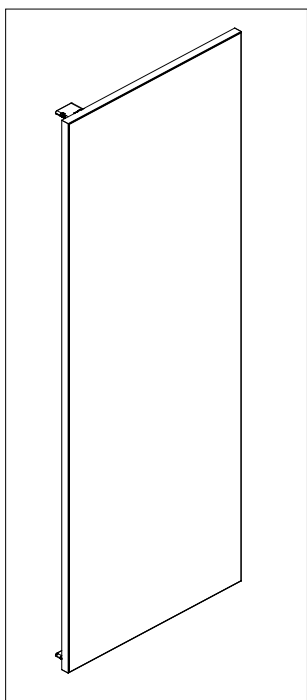
Symbol	Importance
	Risk or danger!
	Advice and information
	Additional information / other documents
	Directional data / direction of movement
	„yes“ and „right“
	„no“ and „wrong“
	Follow the order

SYSTEM:

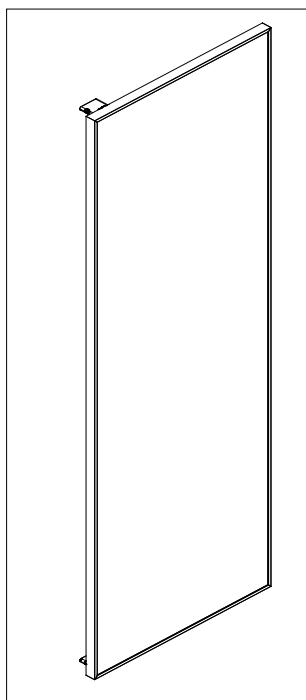
System Information: RPS

- max. weight of element = **20 kg**
- min./max. door height = **200 mm / 2500mm**
- min./max. door width = **200 mm / 600 mm**

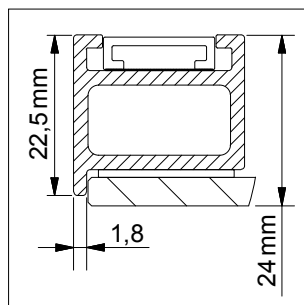
ACCESSORIES



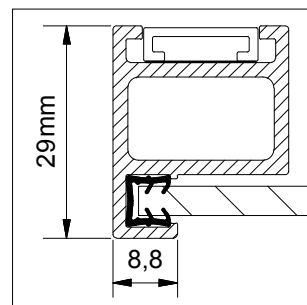
1_



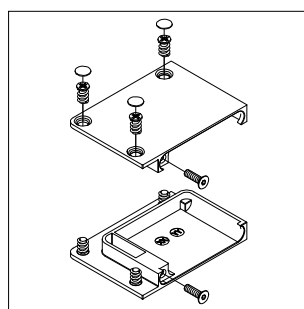
2_



3_ 52.11.0xx



4_ 52.01.0xx



5_ 10.52.01x

1_ RPS door, Frame profile **22,5** mm

2_ RPS door, Frame profile **29** mm

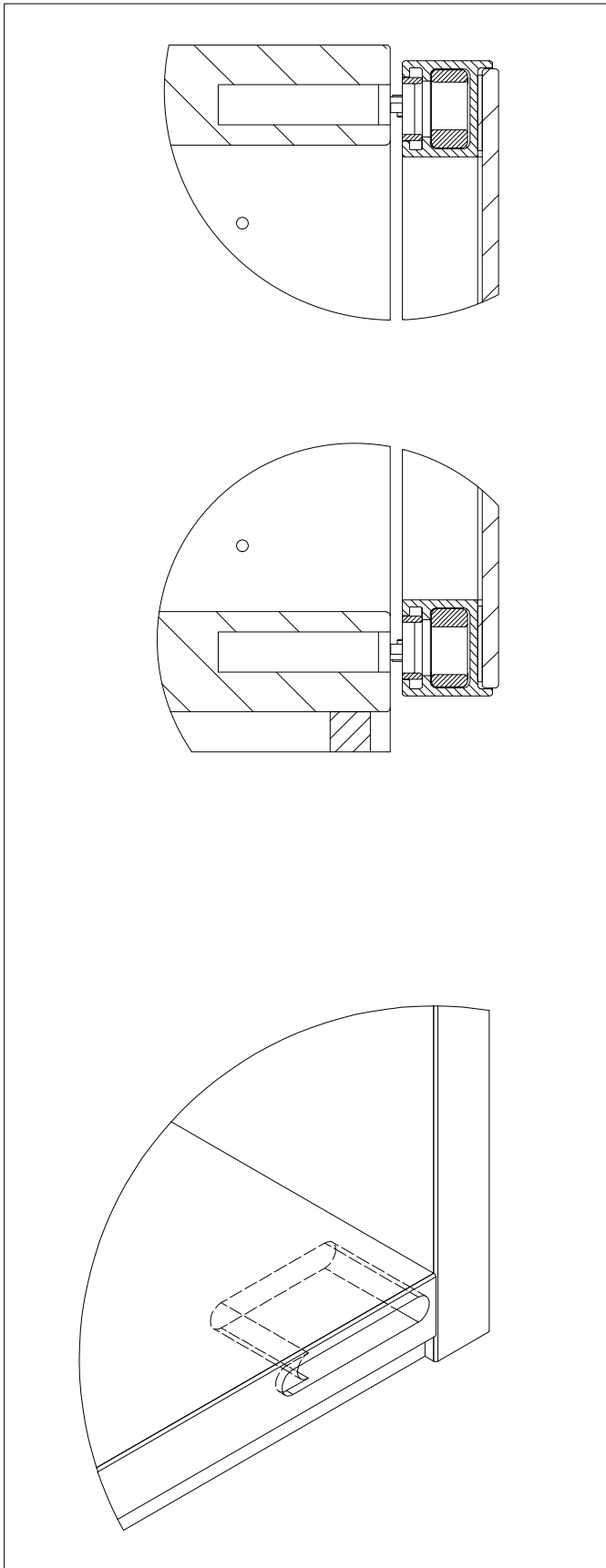
3_ Frame profile **22,5** mm, RPS
 silver 52.01.020
 dark bronze 52.01.050

4_ Frame profile **29** mm, RPS
 silver 52.11.020
 dark bronze 52.11.050

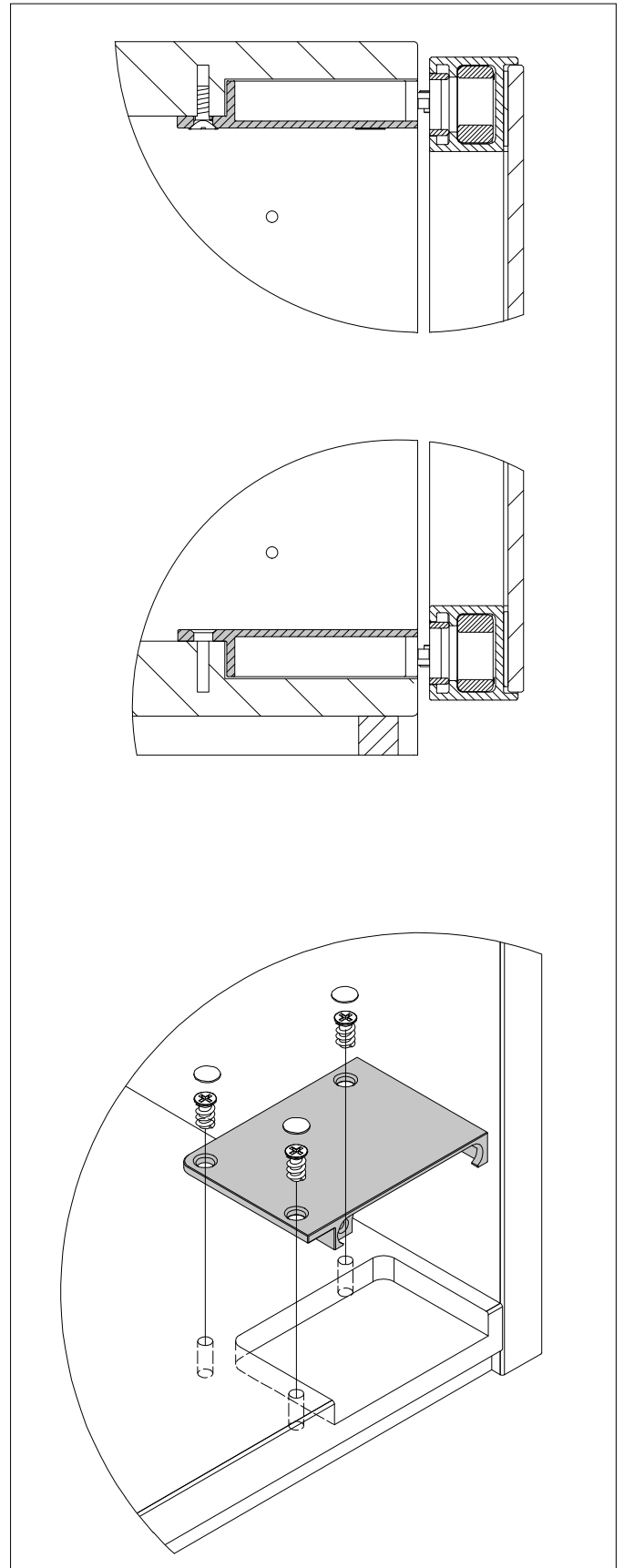
5_ Adapter plate set RPS
 silver lacquered 10.52.015
 dark bronze lacquered 10.52.016

VARIANTS

INSTALLATION VARIANTS ON THE CORPUS



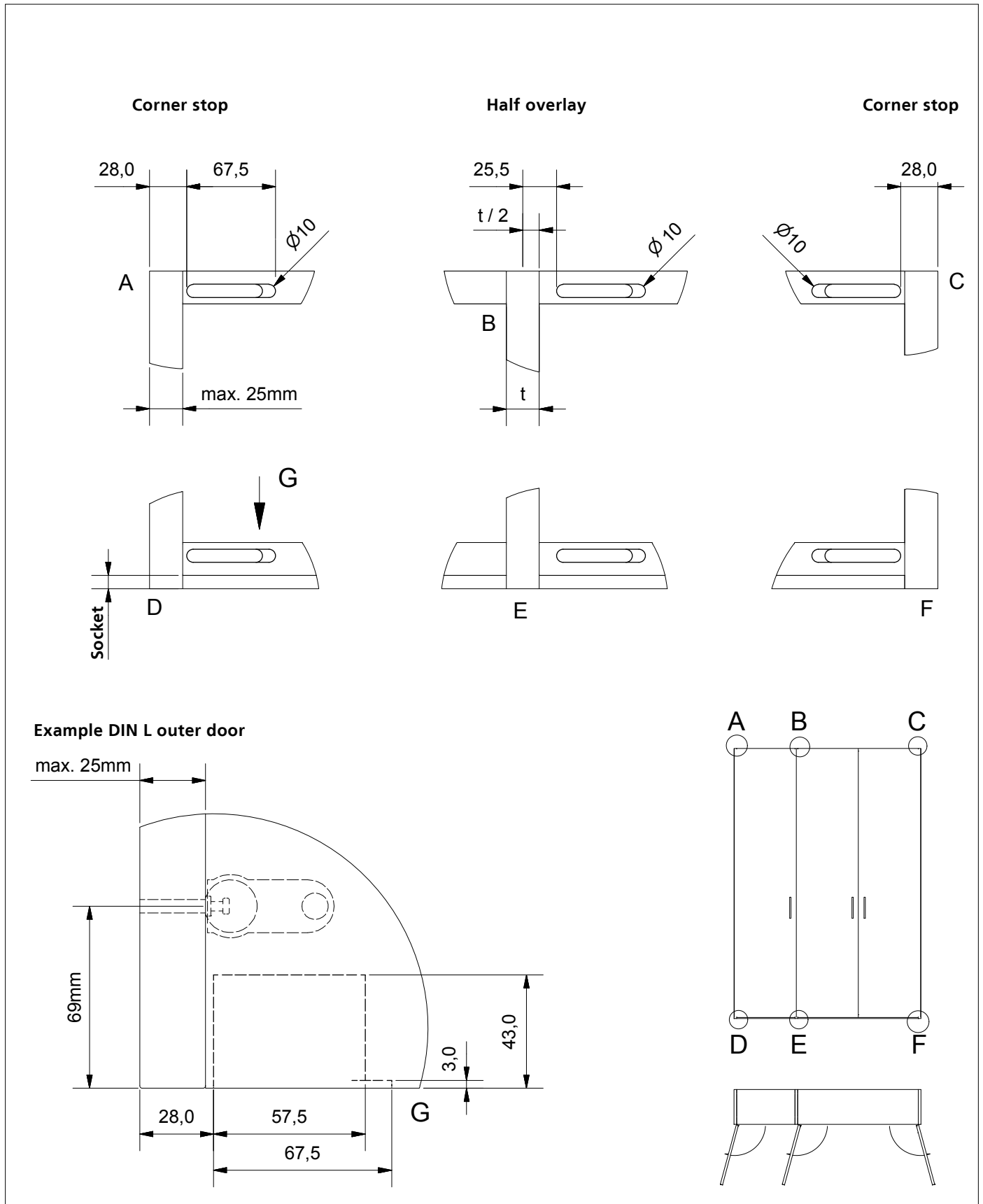
1_ Inserted variant (Pages 6 - 7)



2_ Adapter variant (Pages 8 - 9)

DETAIL DRAWING

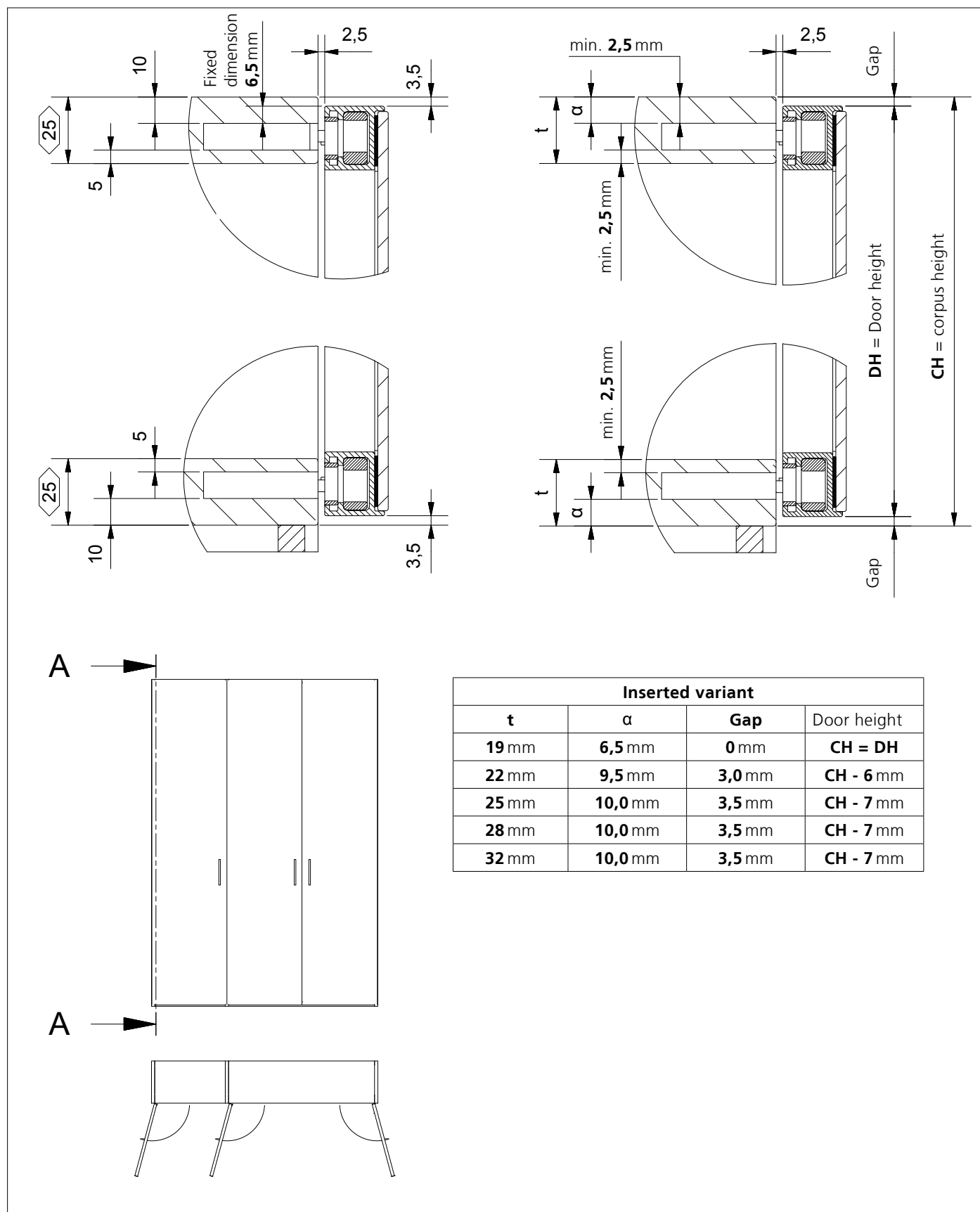
INSERTED VARIANT



1_ Milling pattern inserted variant

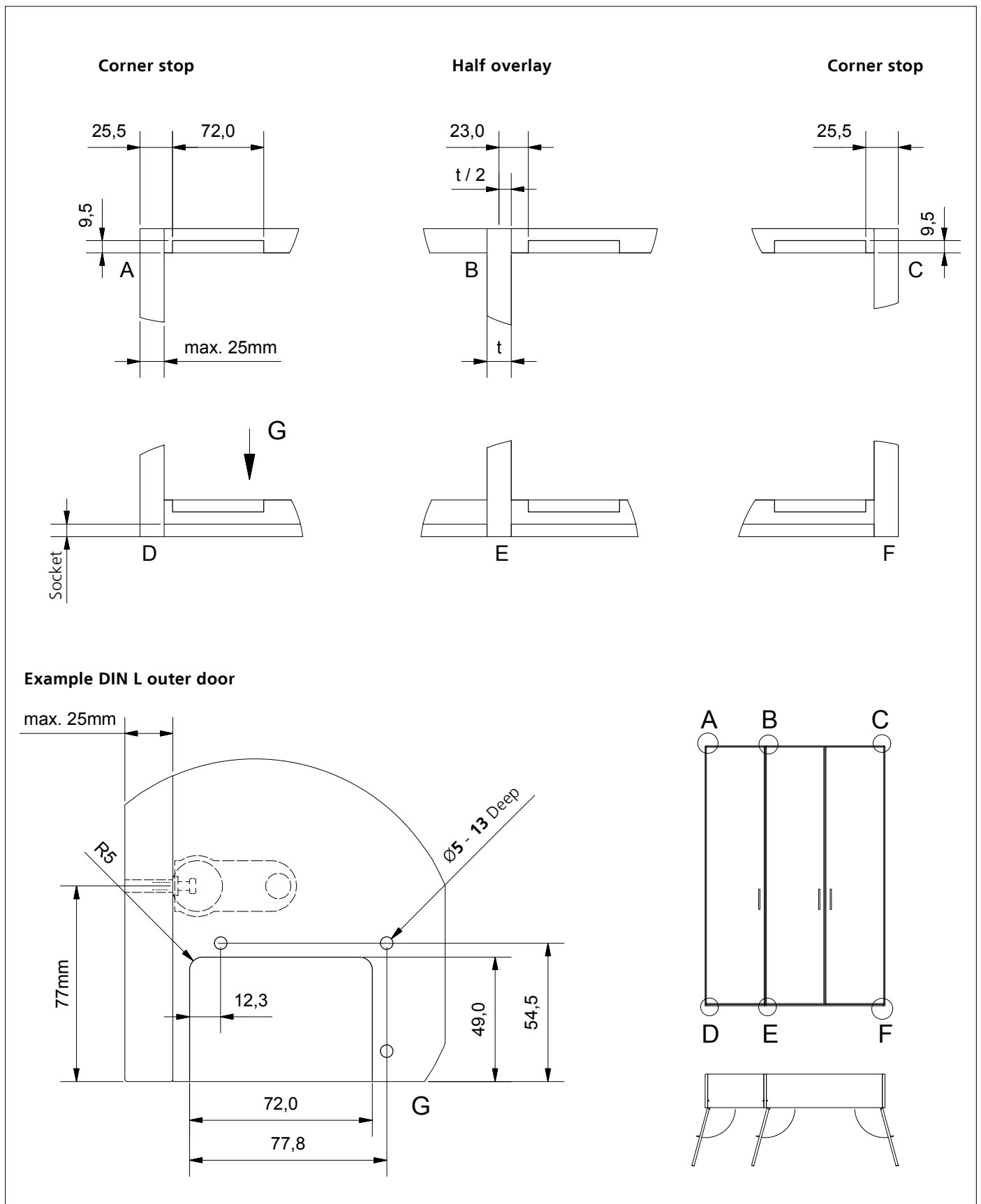
VERTICAL SECTION

INSERTED VARIANT



DETAIL DRAWING

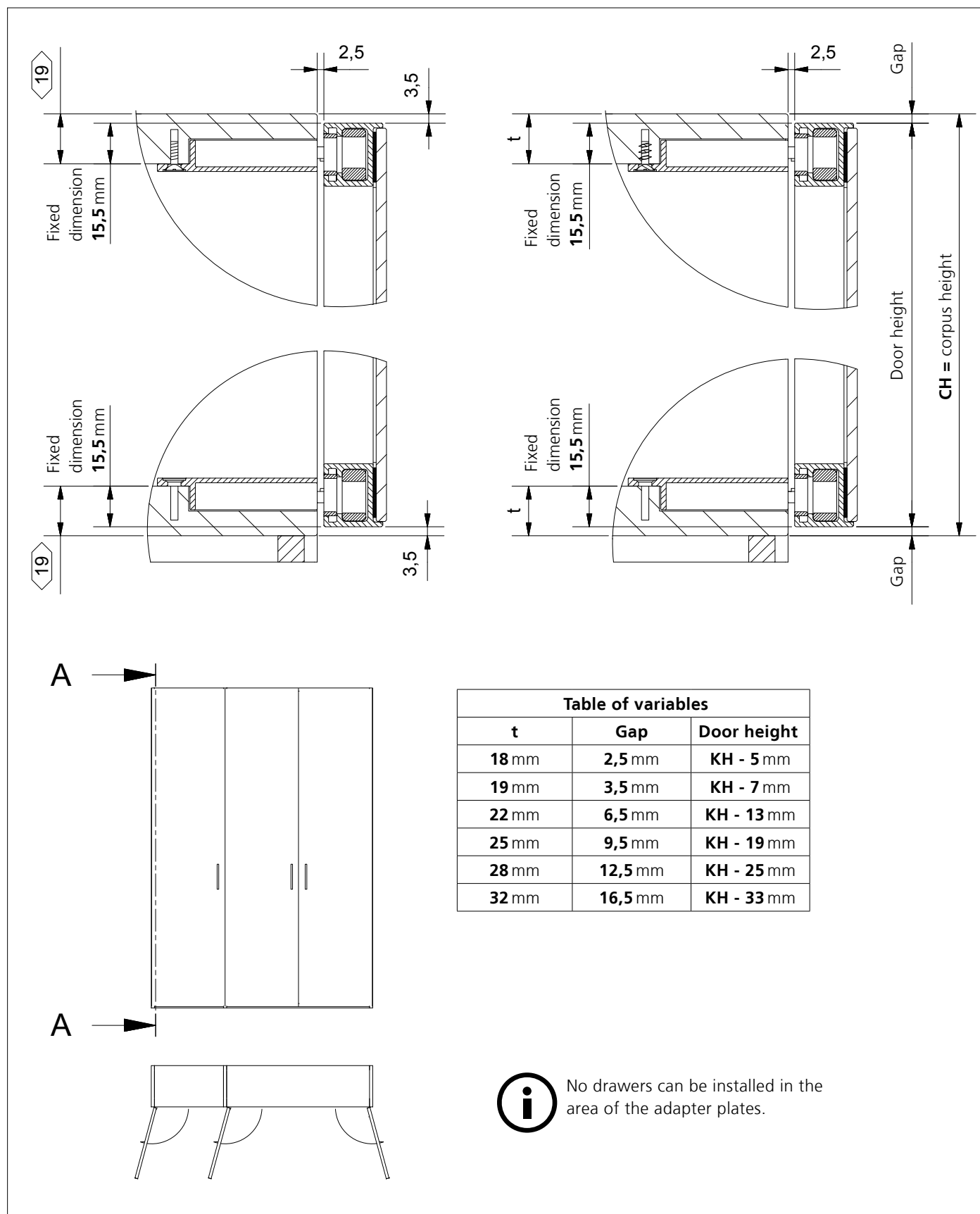
ADAPTER VARIANT



1_ Milling pattern adapter variant

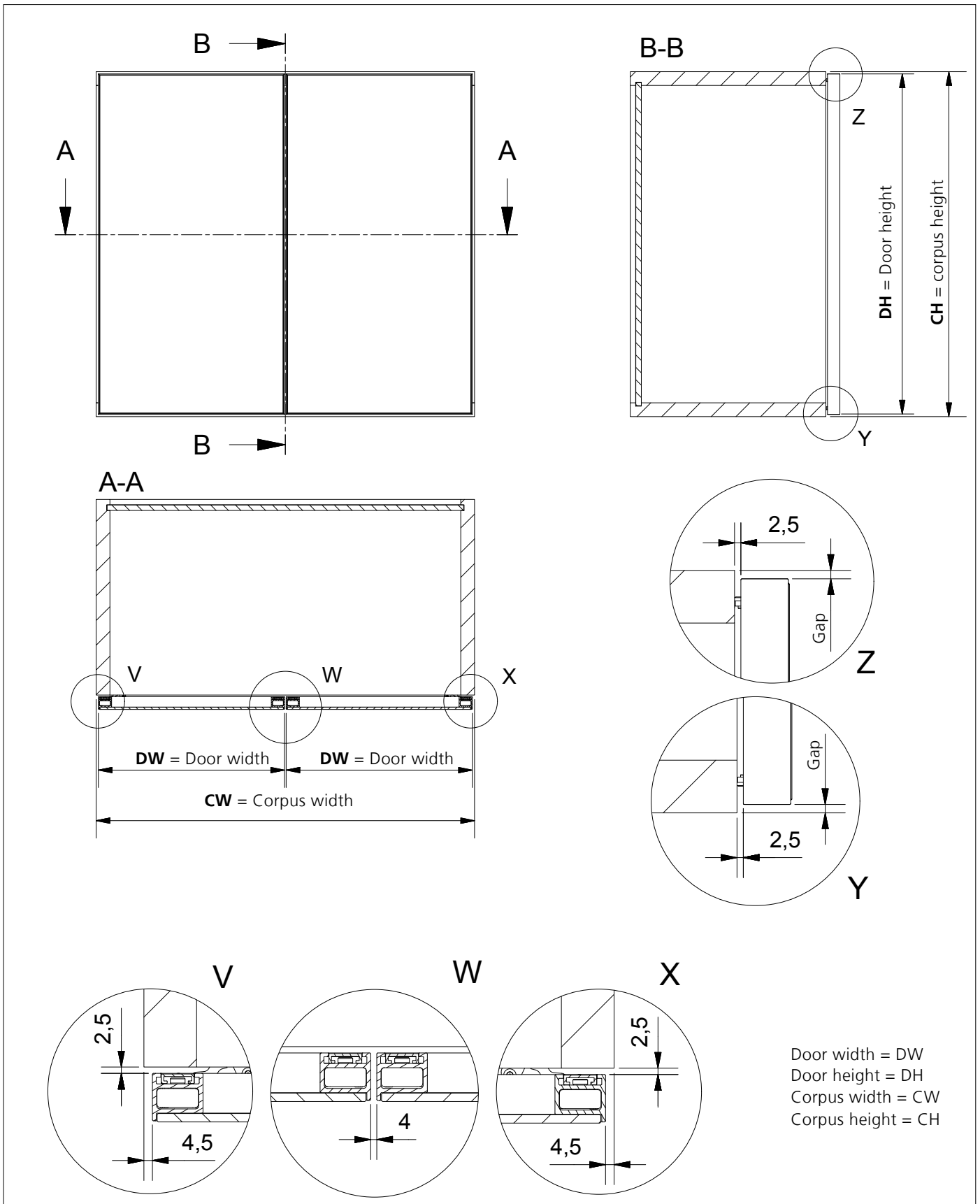
VERTICAL SECTION

ADAPTER VARIANT



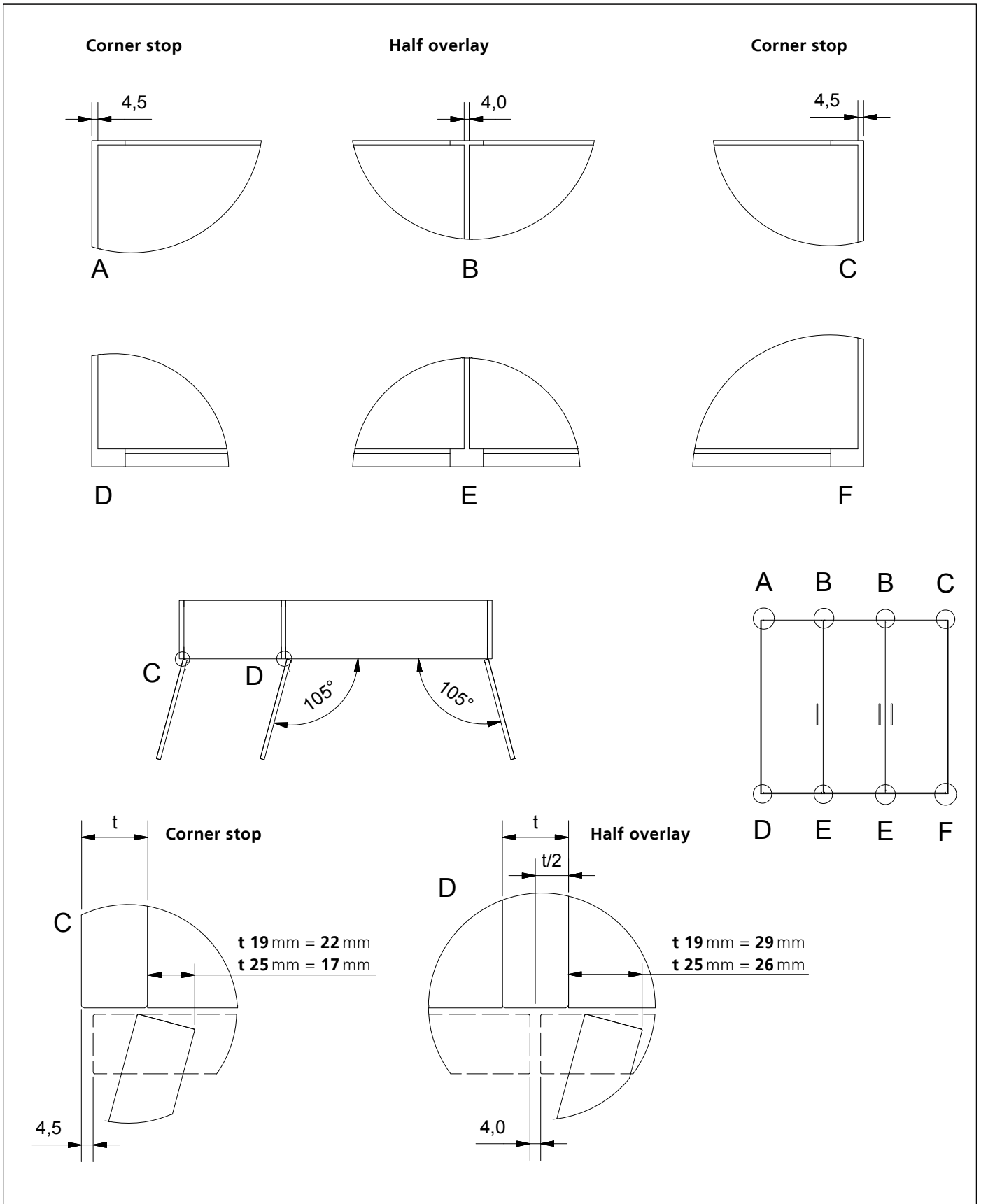
DETAIL DRAWING

DIMENSIONS



DETAIL DRAWING

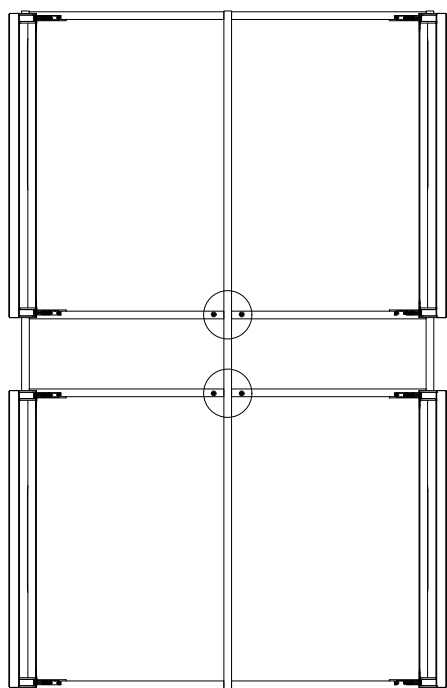
GAP LAYOUT



1_

DETAIL DRAWING

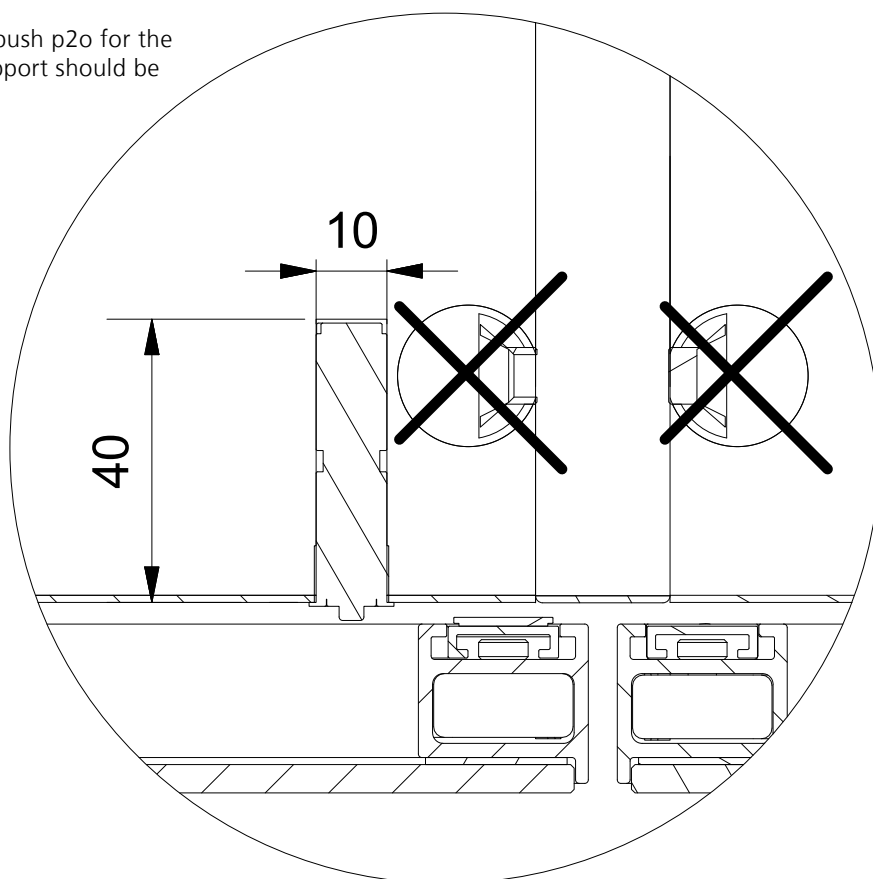
MAGNETIC PUSH P20



For magnetic push p20: for the door hinge p20, a construction shelf must be planned.
The front edge of the shelf must be flush with the sides.



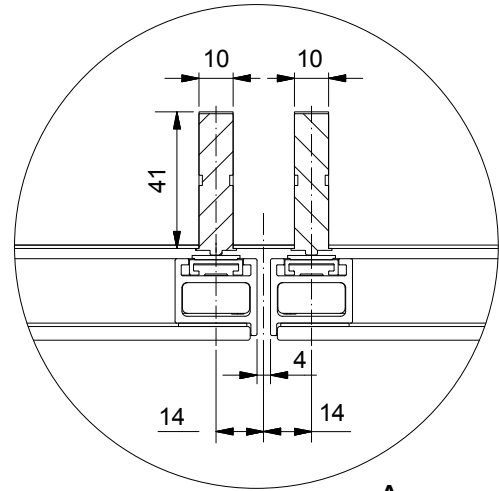
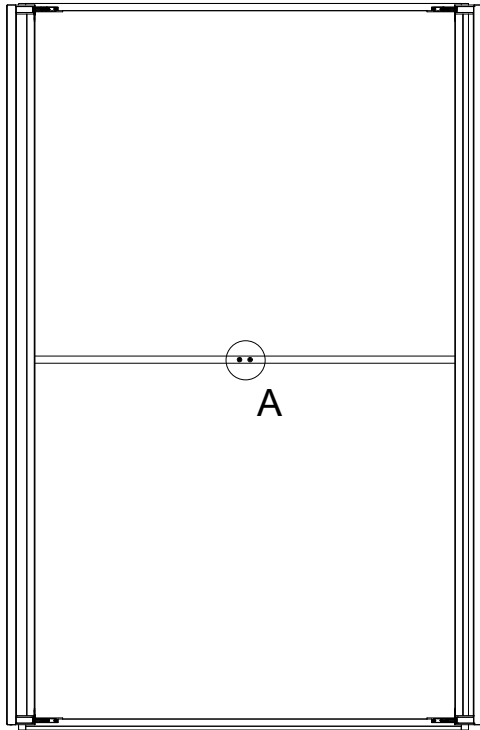
In the area of the magnetic push p20 for the door hinge p20, no shelf support should be used.



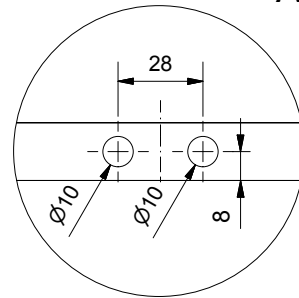
1_ Changes to the shelves with RPS hinge doors

DETAIL DRAWING

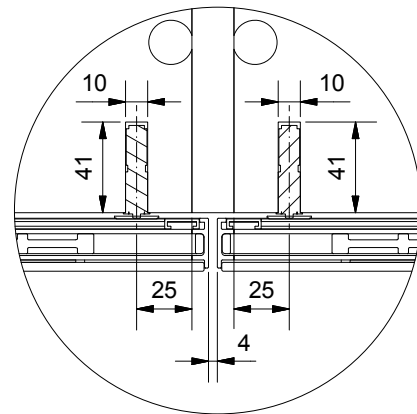
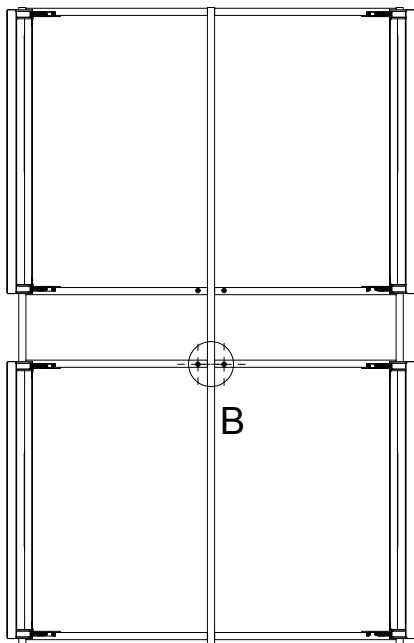
MAGNETIC PUSH P20



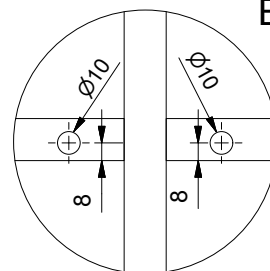
A



Push to open hinges are only intended for cabinets with semi-high doors.

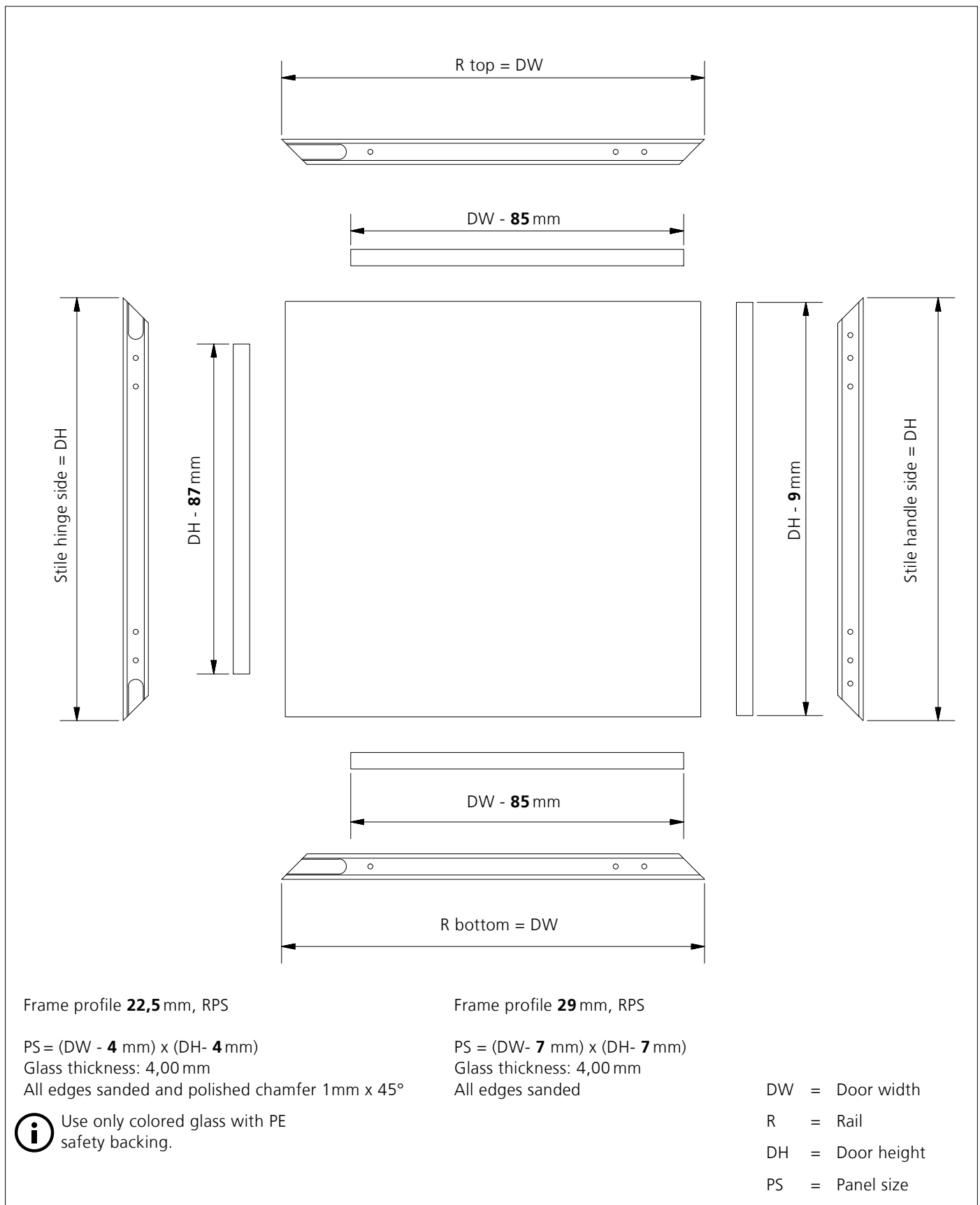


B



CUTTING DIMENSION

FRAME PROFILE RPS, 22,5 mm / 29 mm



1_