

SLIDING DOOR SYSTEMS: INSTALL INSTRUCTIONS

SLANTED DOOR GUIDE

Version 5.0 (2014-06-16)

4.21.2.c



Subject to technical changes.

raumplus

INDEX AND TOOLS

INDEX:

Index and tools_	page 02
Productinformation_	page 03
Accessories_	page 04
Installation instruction_	page 05
Detail drawings_	page 06

TOOLS:

(without claim of completeness)

- Cross tip screwdrive
- Allen keys Set
- Drill
- Drill bits 3,5mm
- Open-ended spanner 13mm
- Metal cutting saw
- Taps M4

VERSION INFORMATION:



Version 3.0: positioning for slanted door, distance between sliding door and interior system min. 80mm

Version 4.0: new layout

Version 4.1: added screws designation / planning more slanted doors

Version 4.2: system usage / ceiling track removed in slope




Version 5.0: new guide roller





PRODUCT INFORMATION

GENERAL INFORMATION: Preparation

- This manual is part of the product and describes the safe and proper installation of the system. Read the instruction carefully and closely before installation
- Please note that the assembly must only be performed by qualified and trained staff in strict compliance with all details indicated in this document. Improper installation in variation from manufacturer's specification may cause defects and danger, thus endangering the safe fixing of the product as well as the safety of the prospective user. The liability of the manufacturer shall be excluded in case of defects and consequential damages resulting from incorrect assembly of this product.
- Please check the completeness of the delivered parts and check carefully if any transport damages are visible..
- If any parts are damaged or lost, please immediately contact the responsible supplier.
- It is assumed that you have exactly identified all cutting dimensions according to the measurement instruction for **raumplus**-products

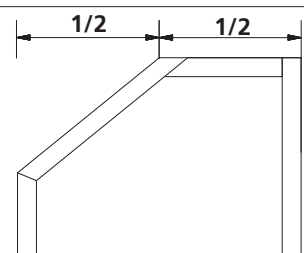
SYMBOLS:

Symbol	Importance
	Risk or danger!
	Advice and information
	Additional information / other documents

	Directional data / direction of movement
	„yes“ and „right“
	„no“ and „wrong“
	Follow the order

SYSTEM:

The slanted door guide must be used if: the top of the door has only half of the door width.

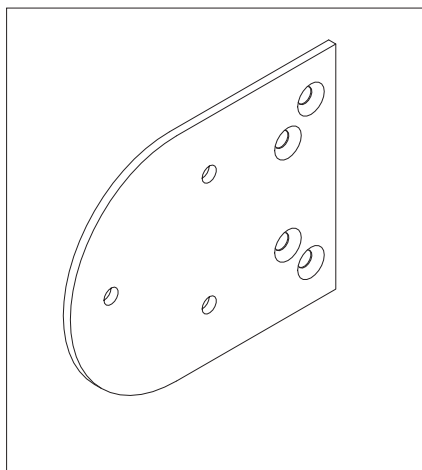


ACCESSORIES

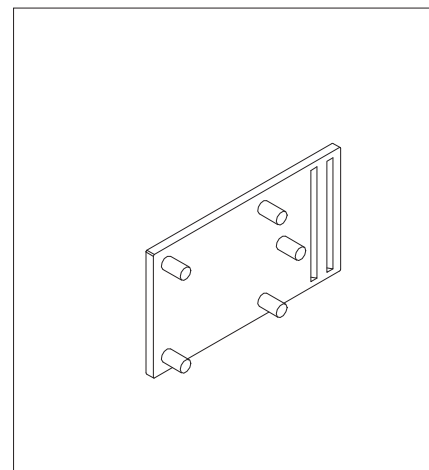


3x Pan head screw M4x8

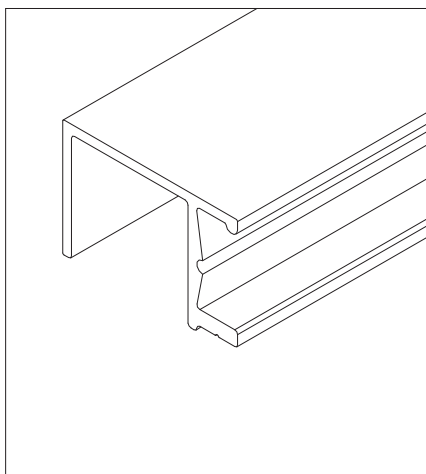
1_ 10.01.262



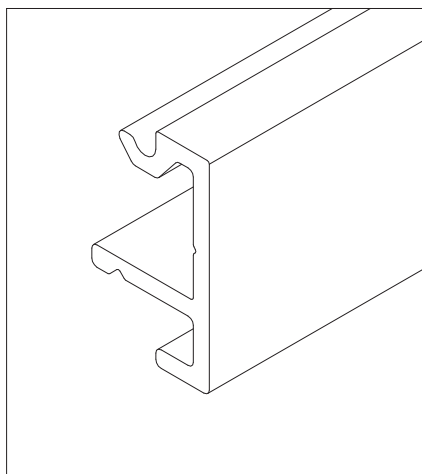
2_ 10.08.040



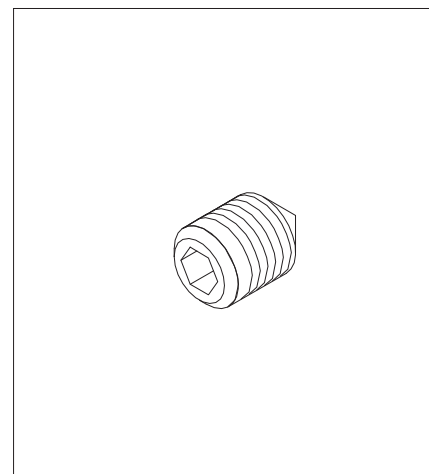
3_ 10.01.26x



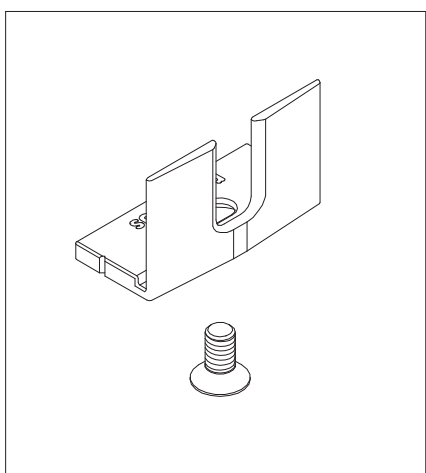
4_ 14.18.0xx



5_ 14.17.0xx



6_ 10.01.263

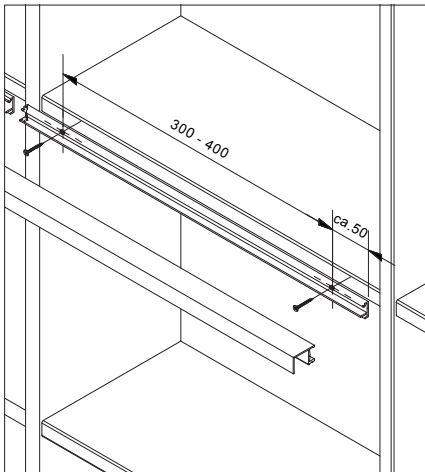


7_ 10.01.266

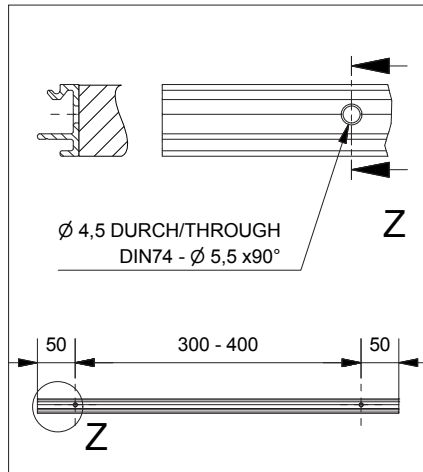
- 1_ Glider and socket
- 2_ Installation plate for socket
- 3_ End cap for profiles angle doors
- 4_ Guiding track angle door cover
- 5_ Guid. track angle door, ground
- 6_ Screw for profiles angle doors M 4x6
- 7_ Positioning for slanted door
- 8_ Countersunk head tapping screw 3.9x9.5 w/o fig. 20.08.067

Typically, positioning is performed by default in the ceiling track.
If no upper rollers is used, the positioning of the slanted door is in the guiding track angle door, by the positioning for slanted door (10.01.266).

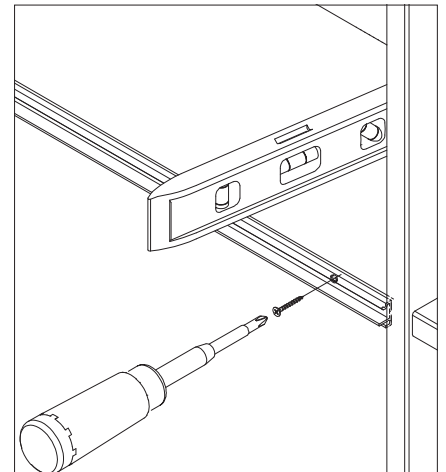
INSTALLATION



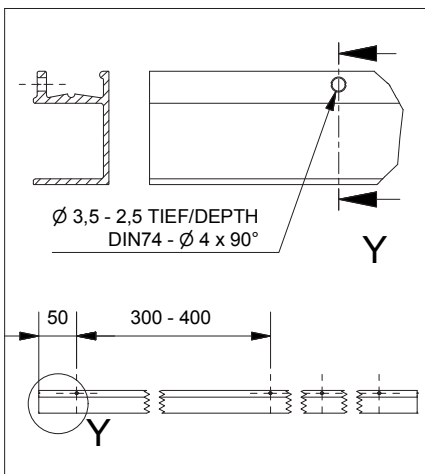
1_ Guiding track angle door, ground



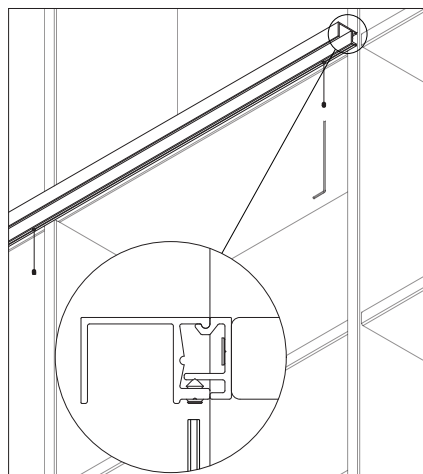
2_ Pattern of drilling / 14.17.0xx



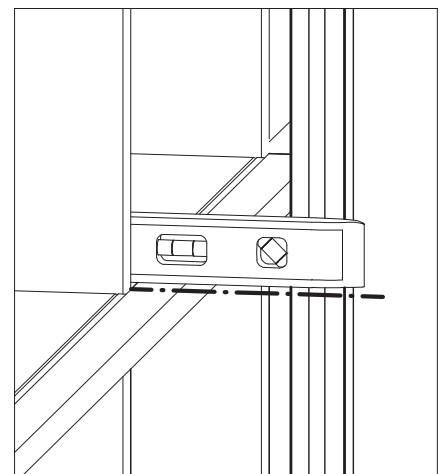
3_ Screwing with e.g. 3,5 x 25mm



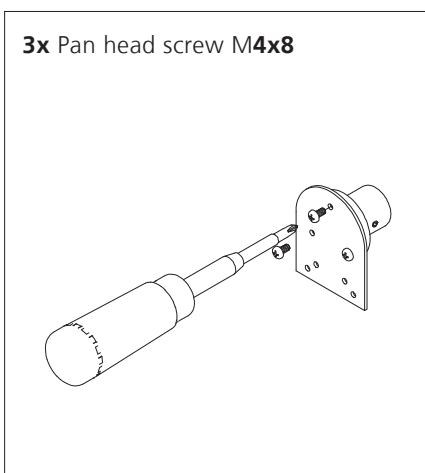
4_ Pattern of drilling / 14.18.0xx



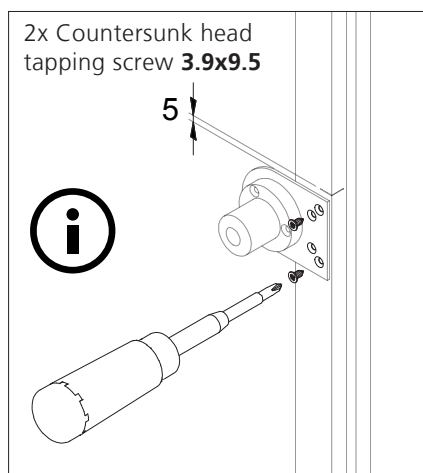
5_ Screwing cover / ground profile



6 Transfer the height



7_ Screw plate and socket together



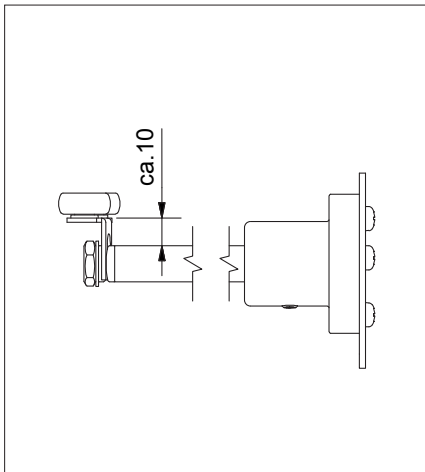
8_ Mounting at the door

6_ The height of the upper edge of the construction shelf (connection Tab for screw fixing), transferred to the door profile, with a tool .

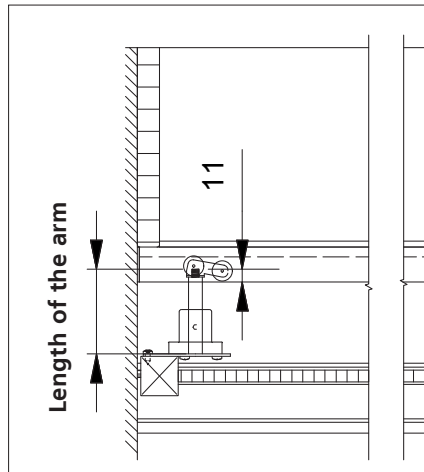
7_ Mounting plate and the base with screws (M4 x 8).

8_ Attach both together 5 mm below the mark at the door profile.

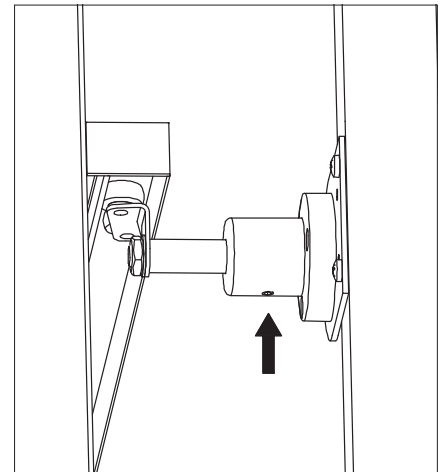
INSTALLATION



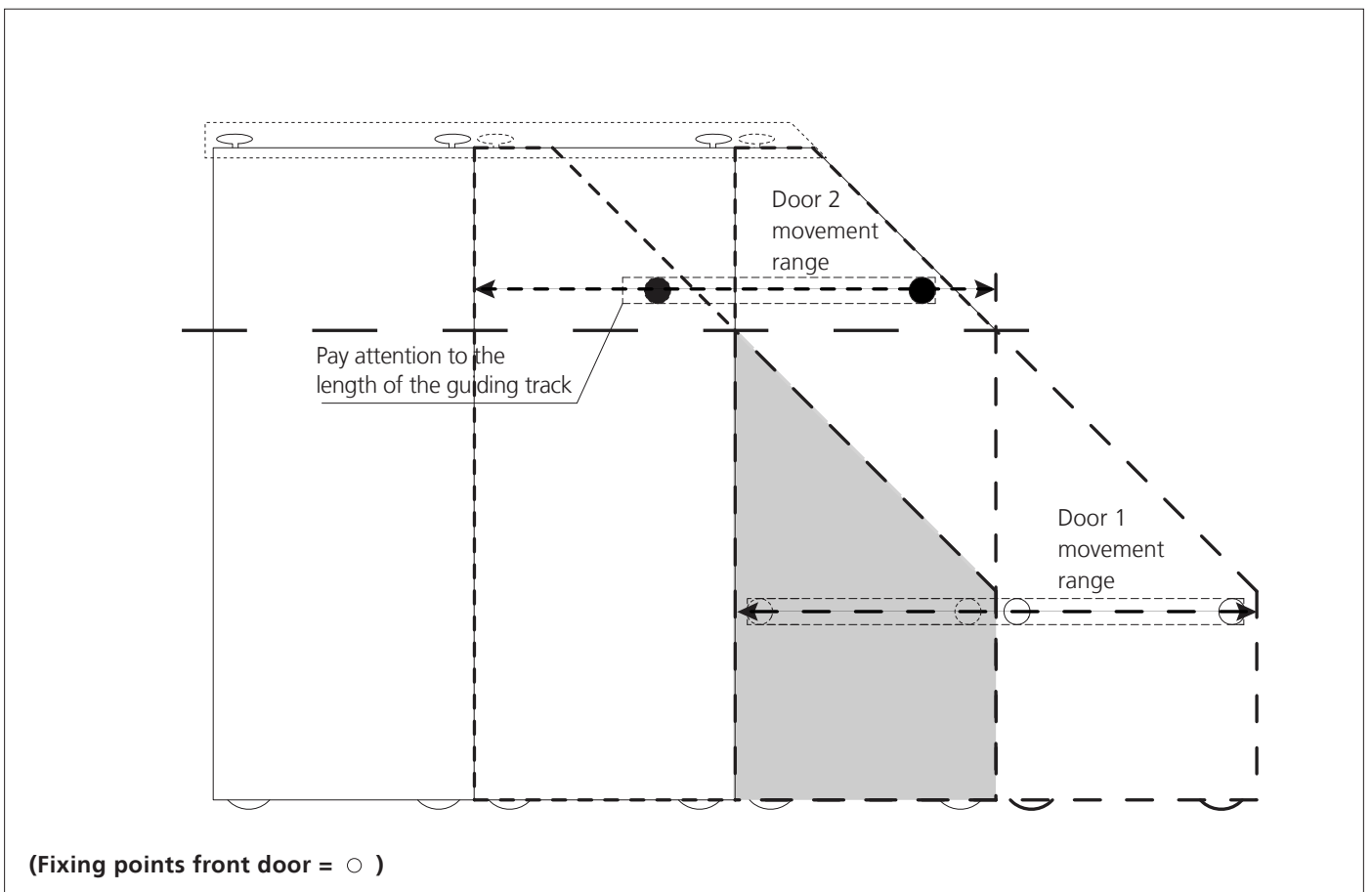
1_ Check the alignment of the sliding door and adjust the roll gap.



2_ Fit the preassembled slanted door guide with his arm into the socket. Measure the reduction, how long the arm should be.



3_ Insert the shortened arm back into the socket. Make sure that the rollers roll freely on the support, and were aligned parallel to the guide rail. Fix the arm on the socket with the allen screw.

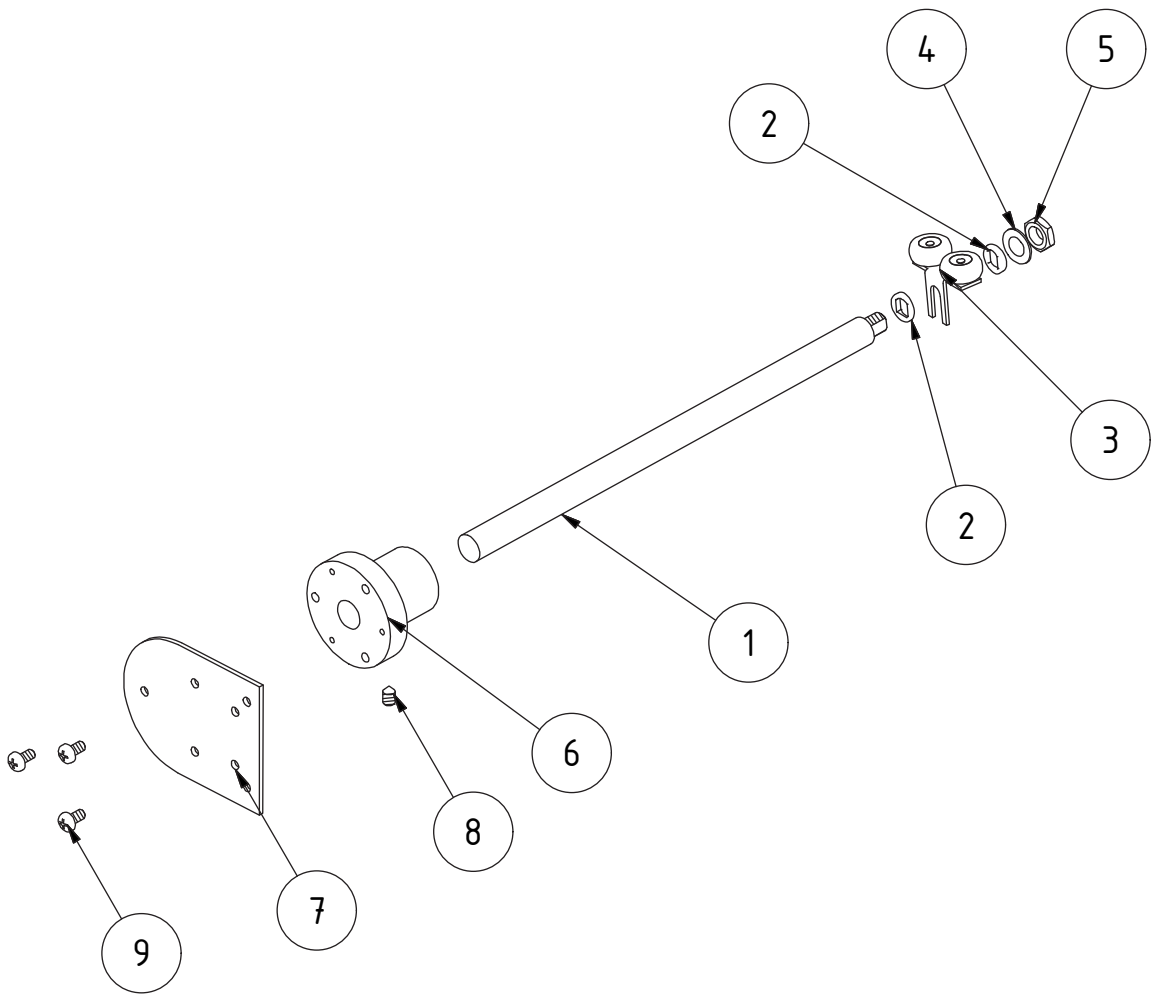


06_07

3_ Planning: Example for the selection of attachment points

DETAILED DRAWING

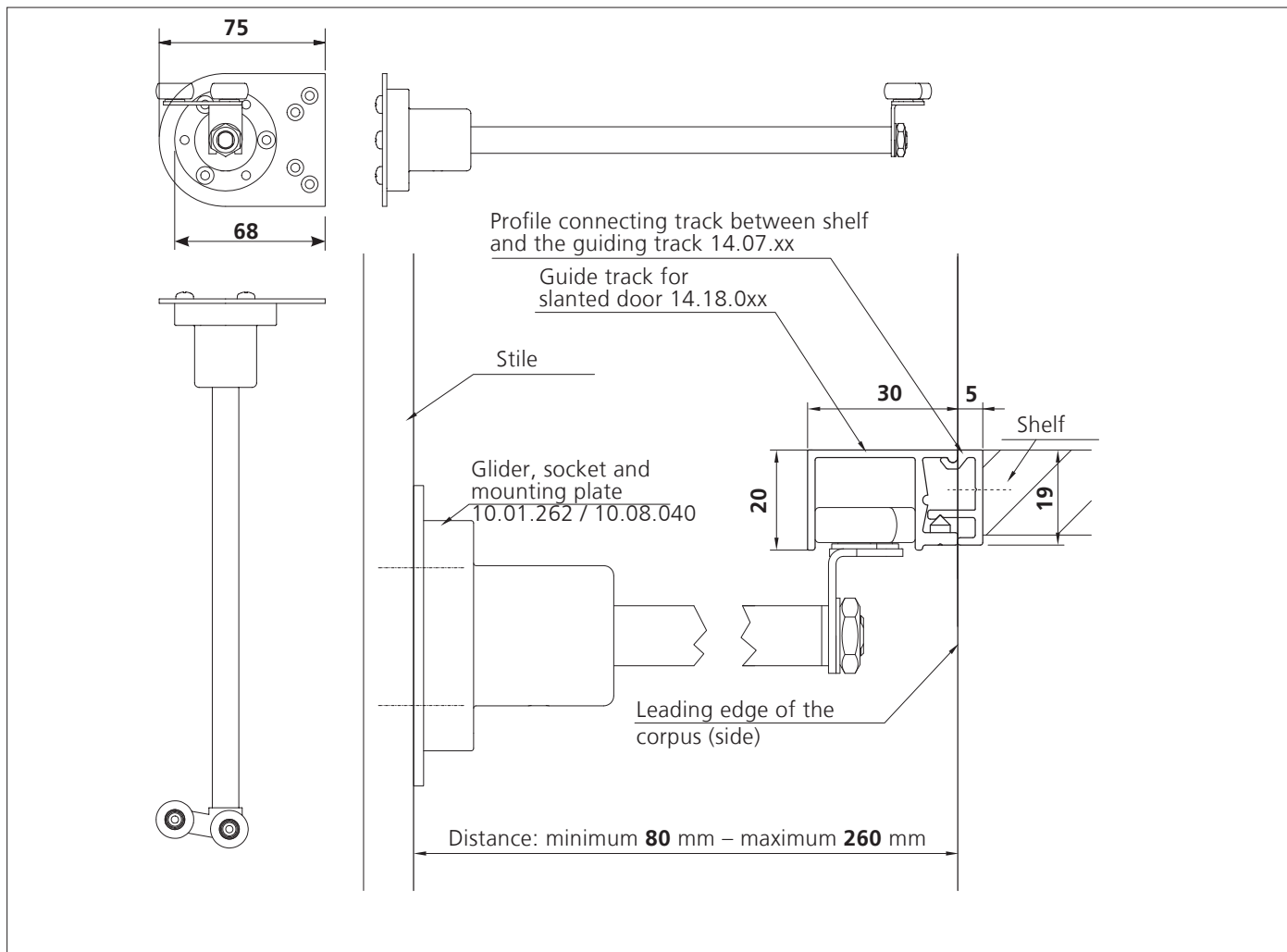
Exploded drawing



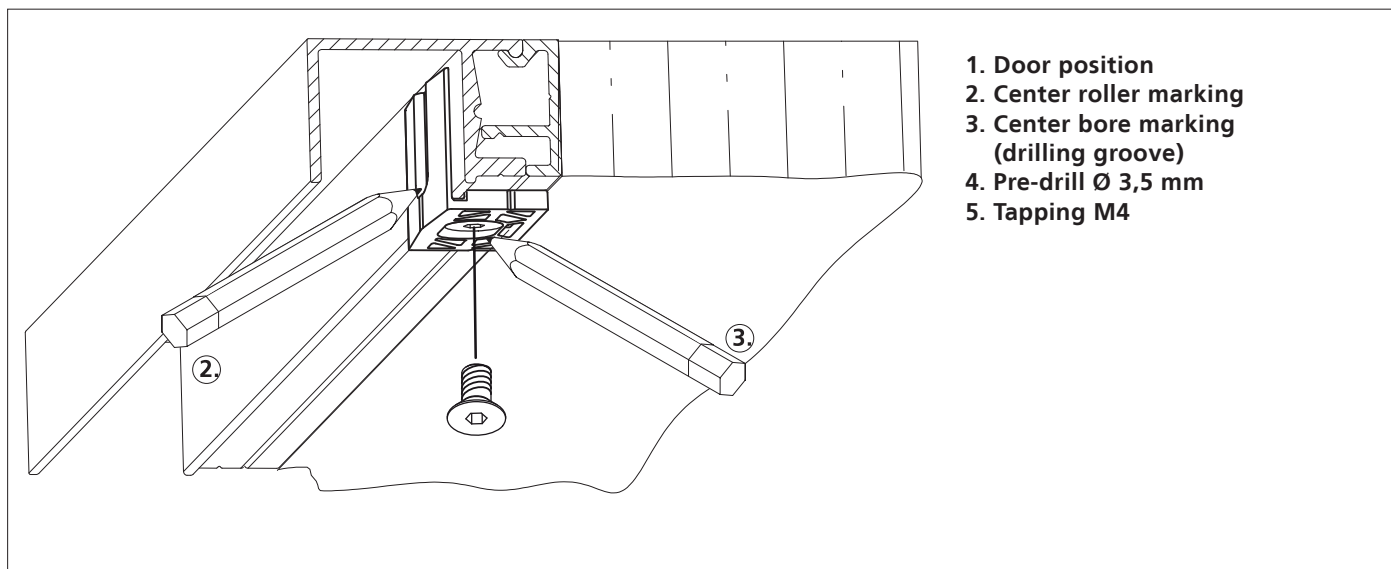
Item list		
Object	Quantity	Description
1	1	Arm (straight)
2	2	Oblique washer
3	1	Top roller
4	1	Crinkled spring washer DIN 137 Steel (galvanized) M8
5	1	Hexagon nut DIN 439 M8 A2
6	1	Base
7	1	Mounting plate
8	1	Threaded pin DIN 914 M5 x 8
9	3	Flathead Philips screw DIN 7985 M4 x 8

DETAILED DRAWINGS

Horizontal section



1_ Installation dimensions of the slanted door guide (min. - max.).



2_ Fixing of the positioning for slanted door, please check for designated closing.

