

FITTINGS: INSTALLATION INSTRUCTION

SYSTEM AIR DOOR CONNECTOR

Version 6.2 (2015-08-25)

8.03.2.c

easy medium difficult

Installation 

Subject to technical changes.

raumplus

CONTENT AND TOOLS

CONTENT:

Content and tools	page	02
Product information	page	03
Accessories	page	04
Installation instruction	page	05
Assembly example	page	07
Cutting dimensions	page	09

TOOLS:

(without claim of completeness)

- Allen key set
- 2x open-ended spanner (10 mm)
- Adhesive tape
- Pencil



VERSION INFORMATION:

Version 6.1: Graphics bug fixed








Version 6.2: Redesign of manual and product information added

PRODUCT INFORMATION

GENERAL INFORMATION: Preparation

- This manual is part of the product and describes the safe and proper installation of the system. Please read the instructions carefully before installation
- Please note that the assembly should only be done by qualified and trained staff in strict compliance with all details indicated in this document. Improper installation in variation from manufacturer's specification may cause defects and danger, thus endangering the safe fixing of the product as well as the safety of the prospective user. The liability of the manufacturer shall be excluded in case of defects and consequential damages resulting from incorrect assembly of this product.
- Please check the completeness of the delivered parts and check carefully if any transport damages are visible.
- If any parts are damaged or lost, please immediately contact the responsible supplier.
- It is assumed that you have exactly identified all cutting dimensions according to the measurement instruction for **raumplus** products.

SYMBOLE:

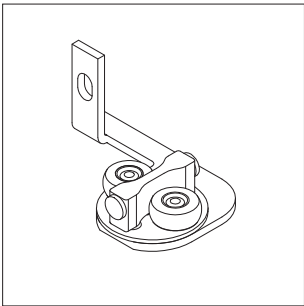
Symbol	Importance
	Risk or danger!
	Advice and information
	Additional information / other documents
	Directional data / direction of movement
	„yes“ and „right“
	„no“ and „wrong“
	Follow the order

SYSTEM:

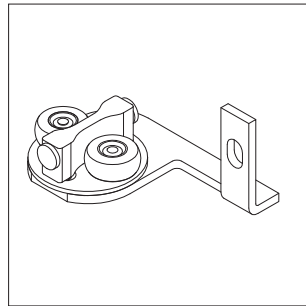
System Information: System 42 - S 1500 / S 3000

- max. weight of element = **60 kg**
- max. door height = **2750 mm**
- max. door width = **1200 mm**

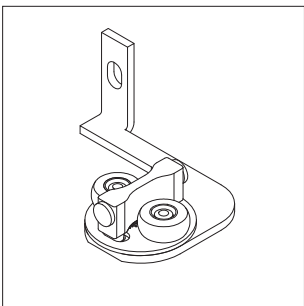
ACCESSORIES



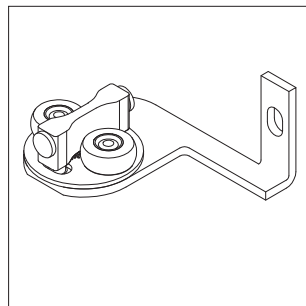
1_ 10.05.170



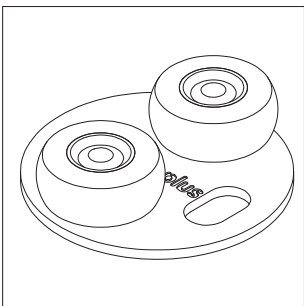
2_ 10.05.171



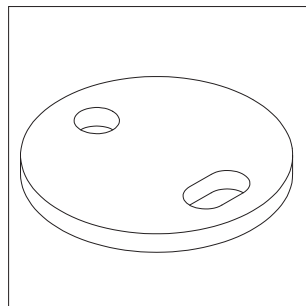
3_ 10.05.172



4_ 10.05.173



5_ 10.06.030



6_ 10.05.025

1_ Door connector with guiding 38 mm S 1500 left

2_ Door connector with guiding 38 mm S 1500 right

3_ Door connector with guiding 38 mm S 3000 left

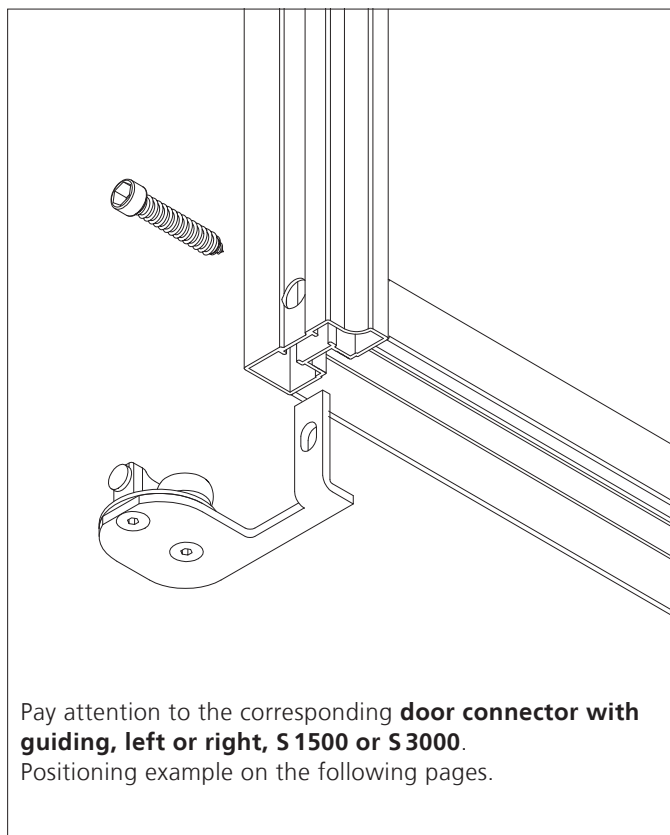
4_ Door connector with guiding 38 mm S 3000 right

5_ Ground plate with roller 38 mm

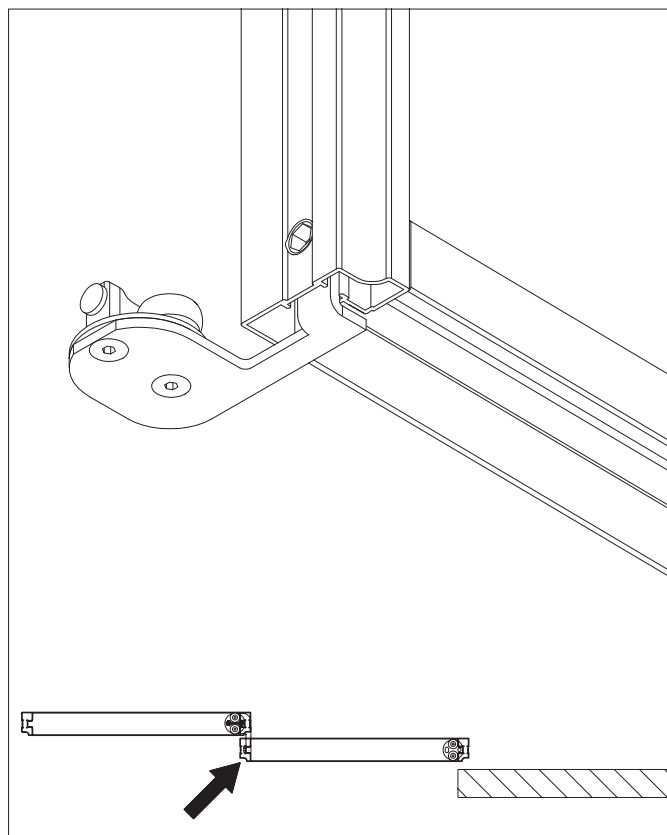
6_ Distanzplatte

INSTALLATION INSTRUCTIONS

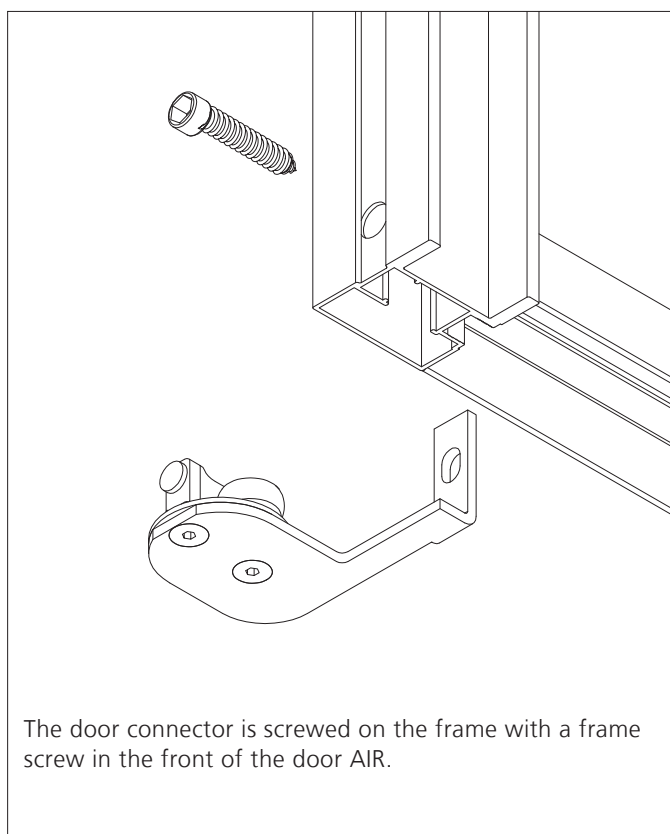
DOOR CONNECTOR WITH GUIDING 38 MM



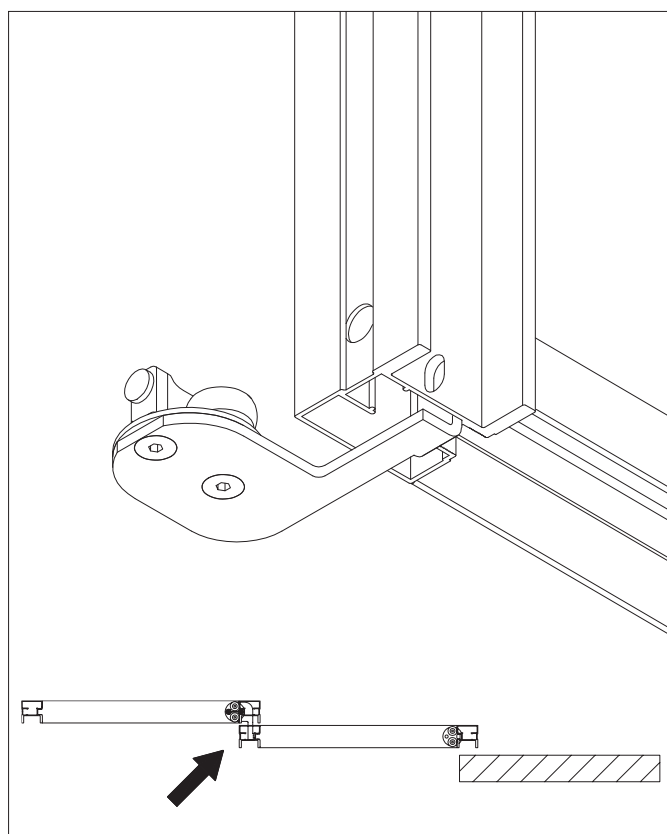
1_ Door connector with guiding S1500 right



2_ Door connector with guiding S1500 right



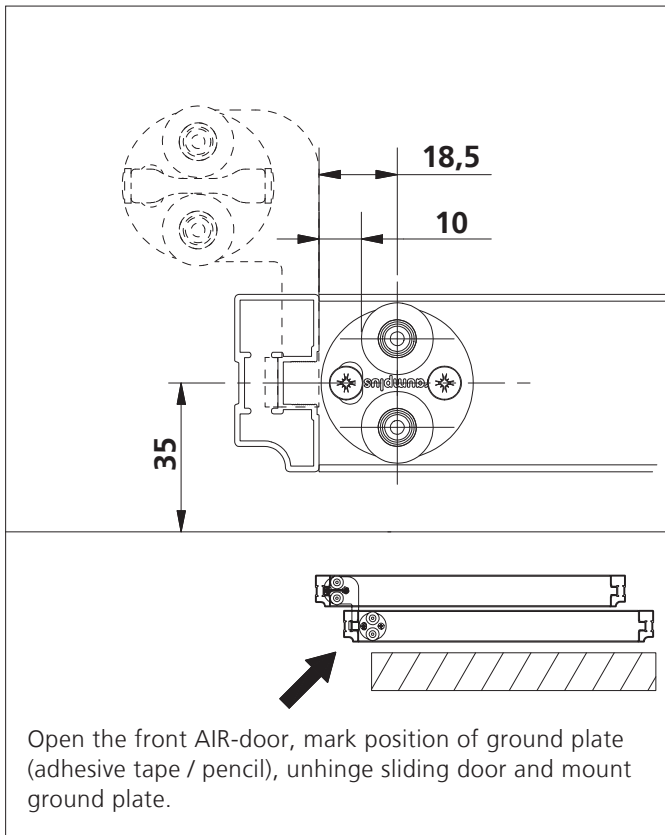
3_ Door connector with guiding S3000 right



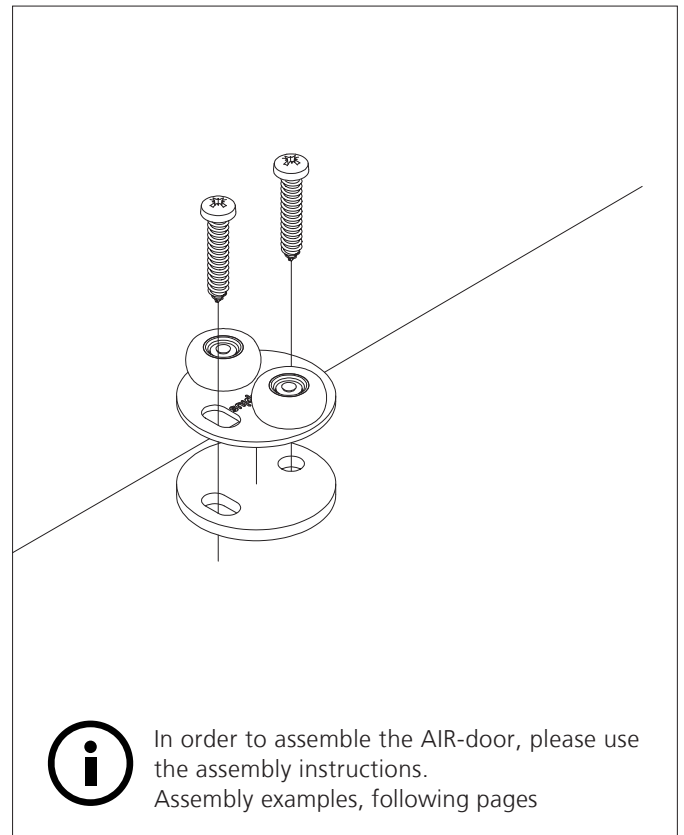
4_ Door connector with guiding S3000 right

INSTALLATION INSTRUCTIONS

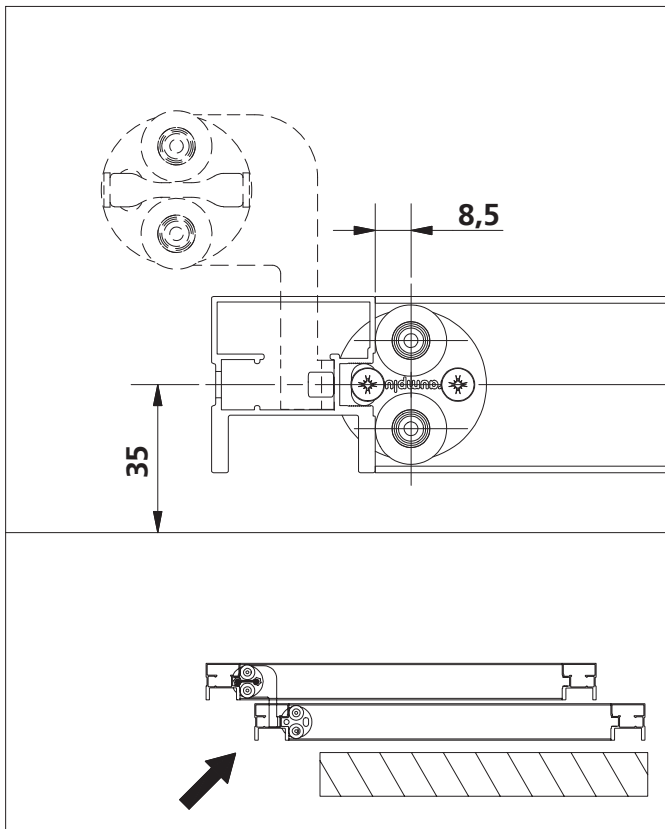
DOOR CONNECTOR WITH GUIDING 38 MM



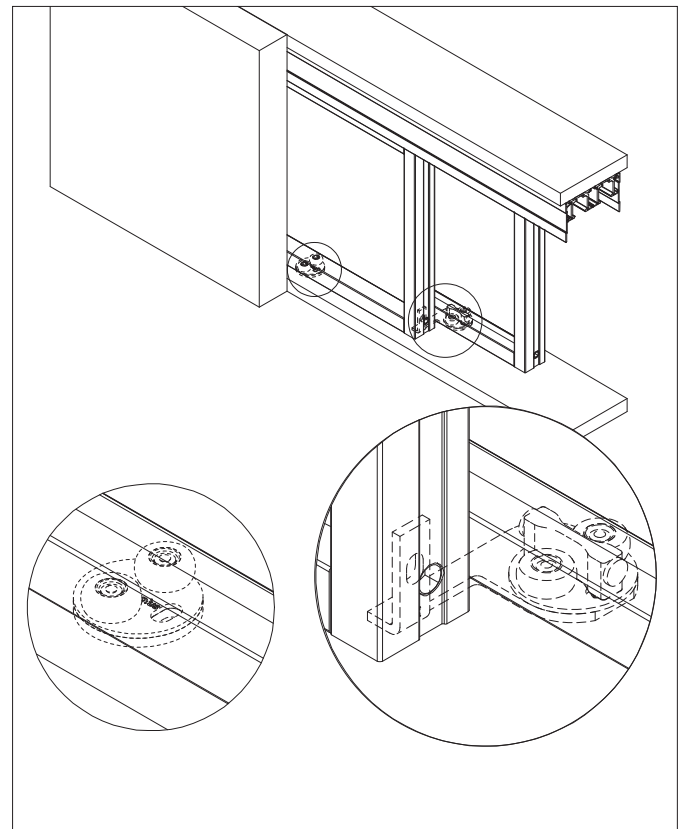
5_ Position of the ground plate with roller S1500



6_ Assembly the ground plate with roller



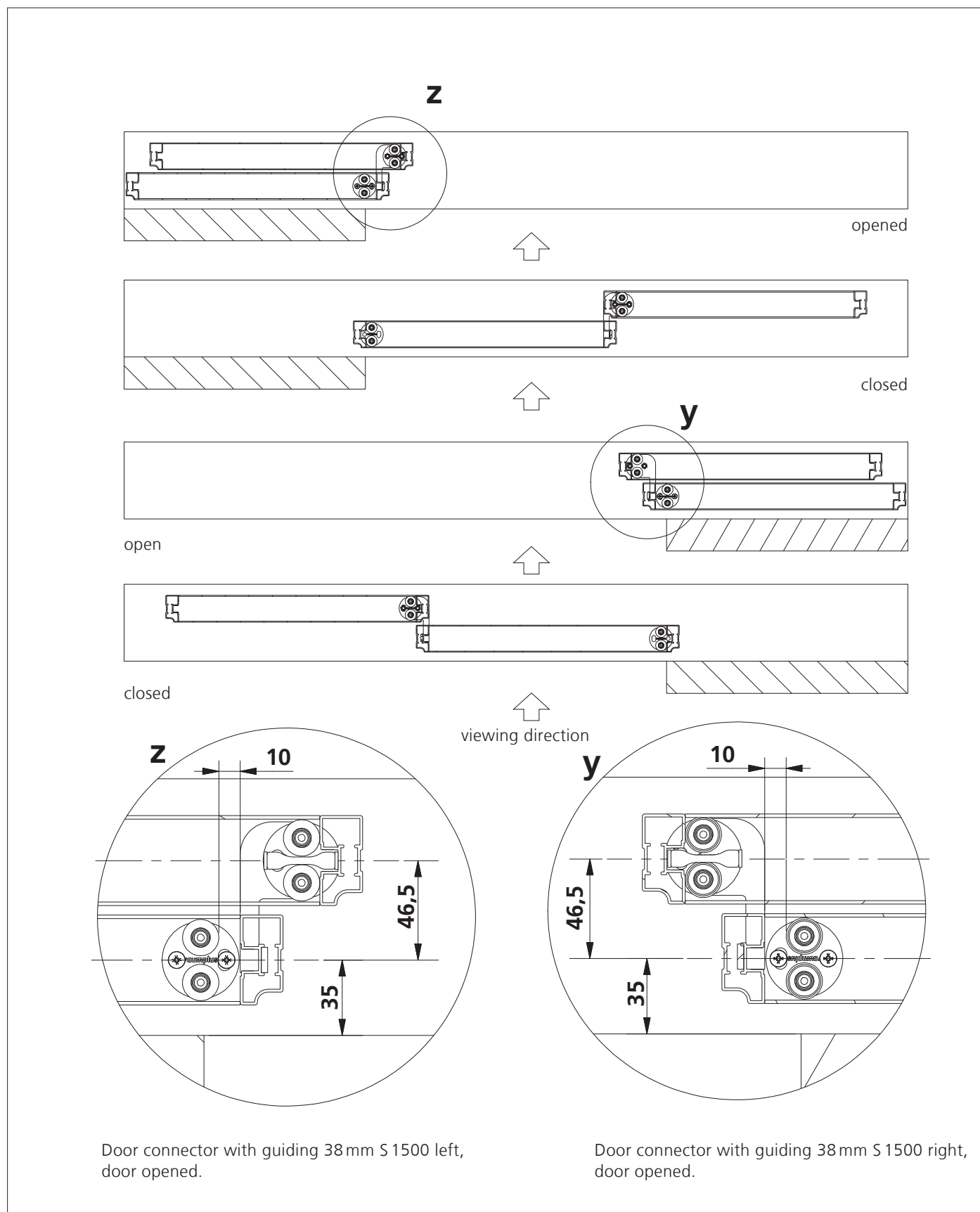
7_ Position of the ground plate with roller S3000



8_ Assembly example S1500 left

ASSEMBLY EXAMPLE

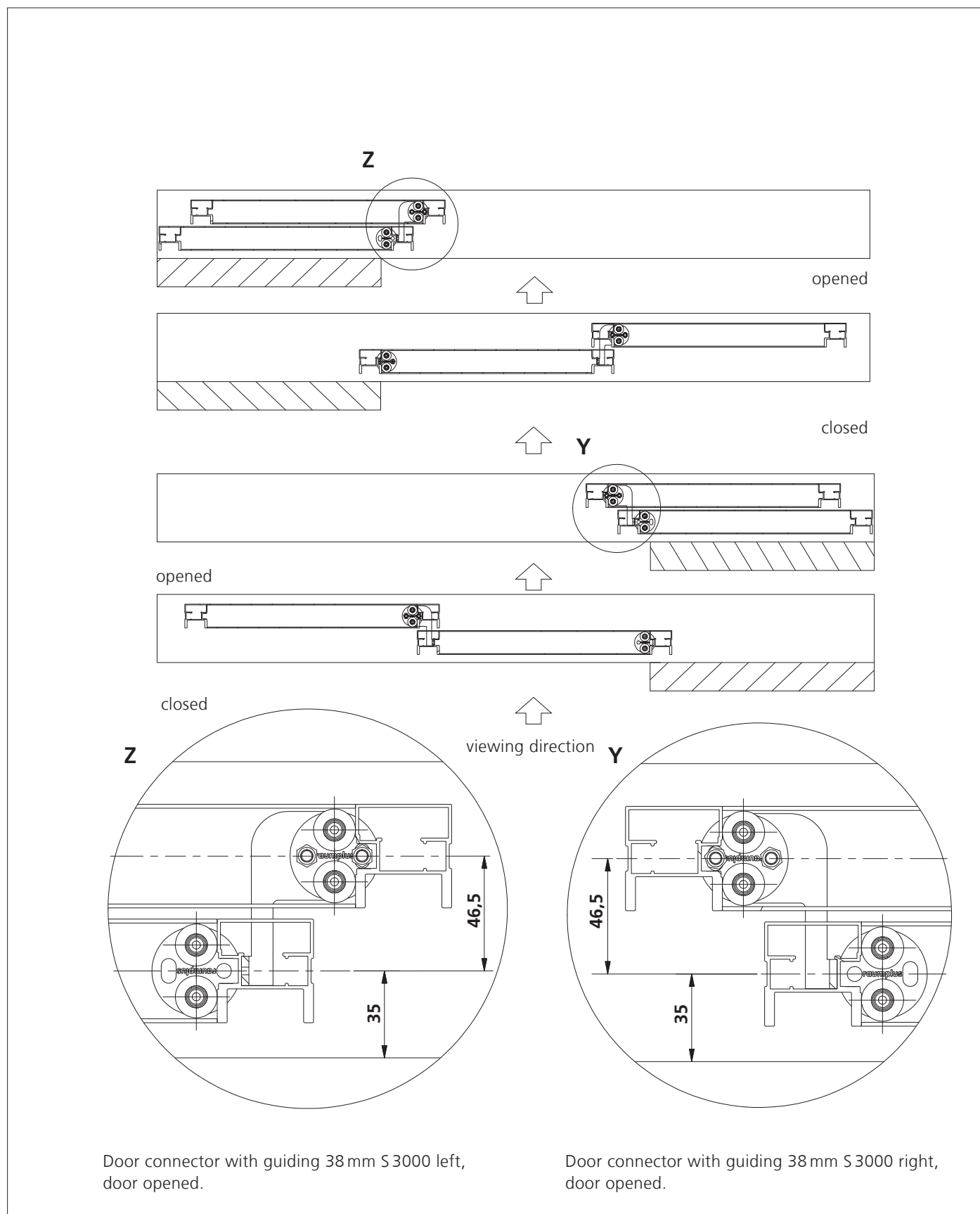
DOOR CONNECTOR WITH GUIDING S 1500



1_ Position of the door connector with guiding 38 mm S 1500 left / right

ASSEMBLY EXAMPLE

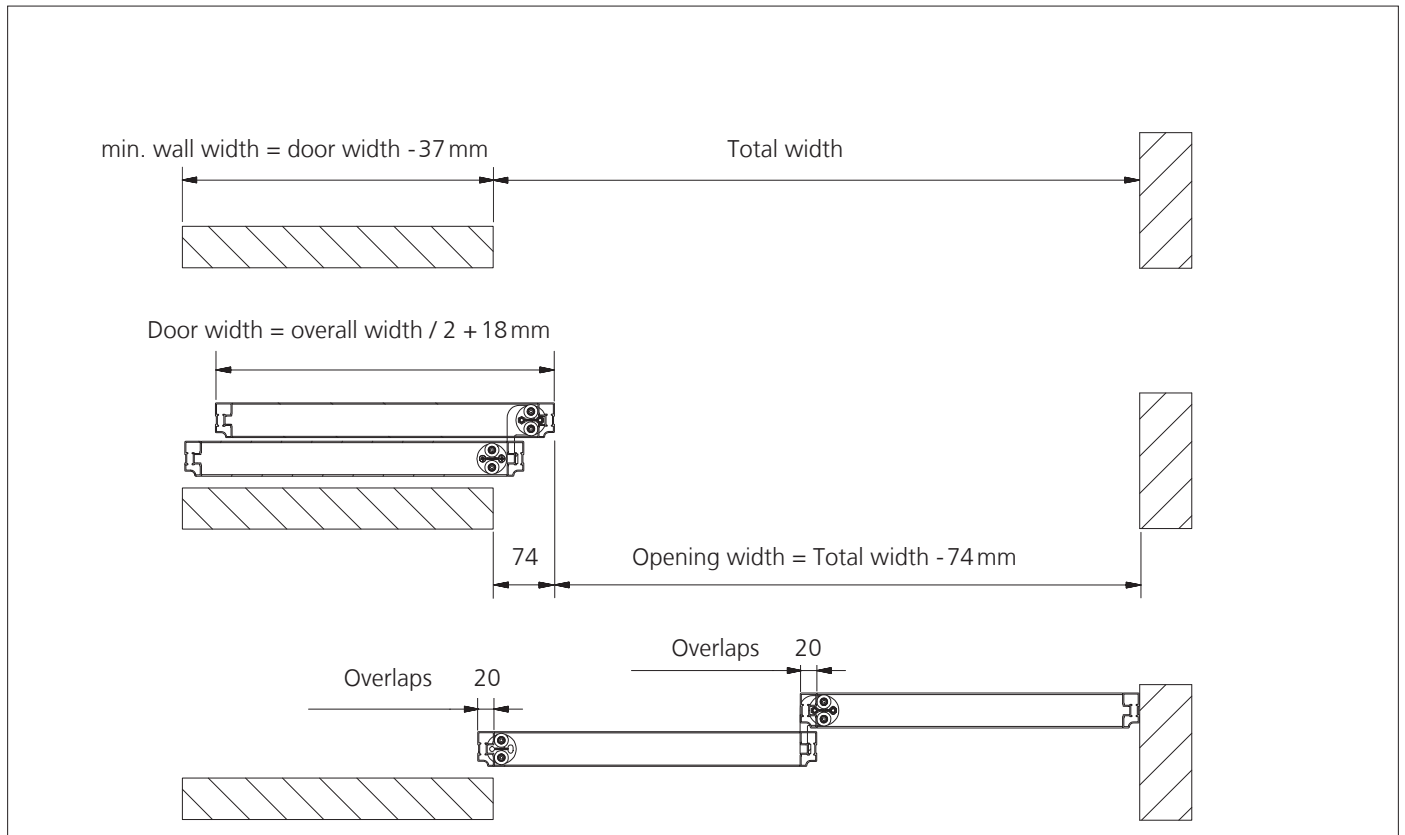
DOOR CONNECTOR WITH GUIDING S 3000



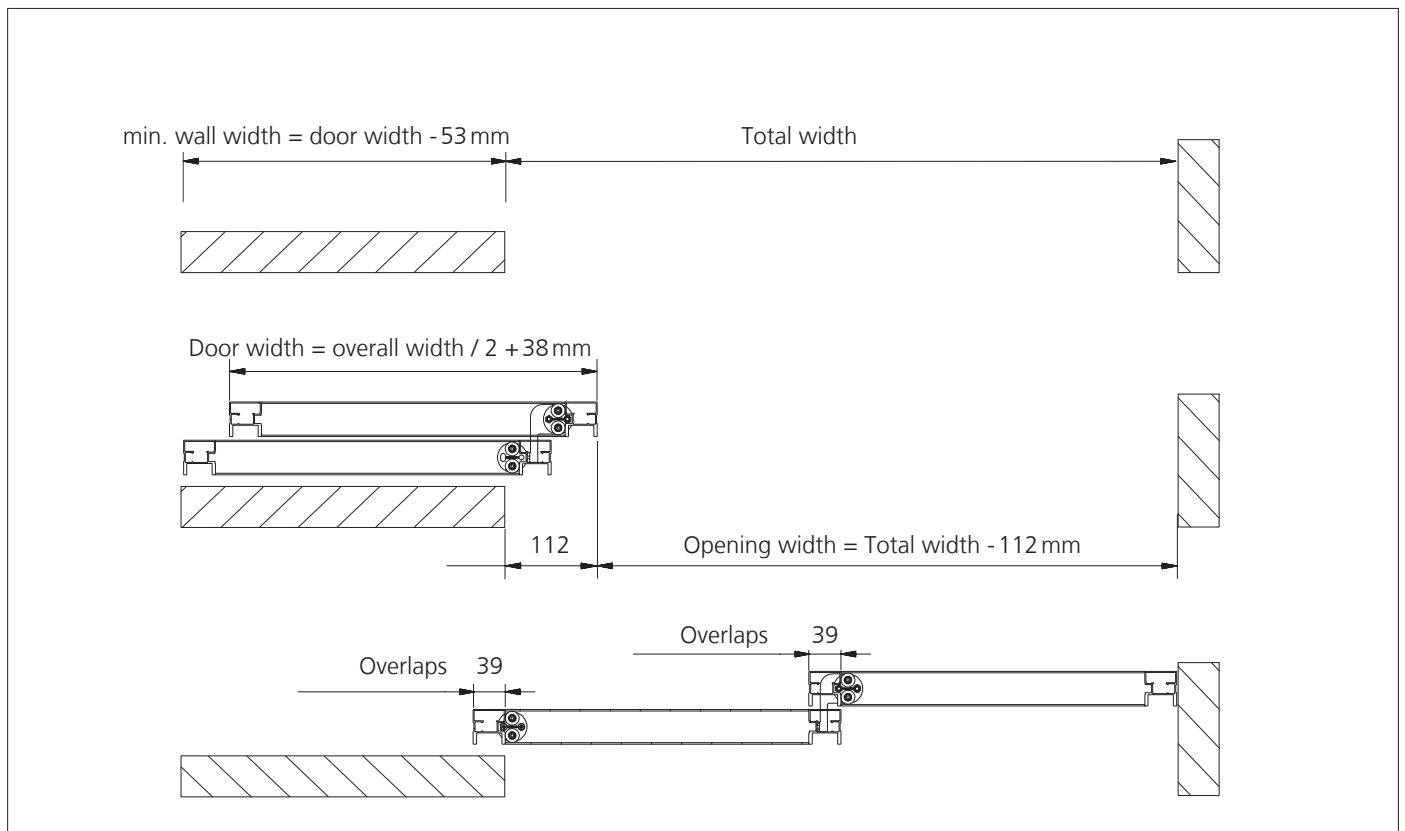
1_ Position of the door connector with guiding 38 mm S 3000 left / right.

CUTTING DIMENSIONS

S 1500 AND S 3000



1_ S 1500



1_ S 3000