

# HINGE DOOR: INSTALLATION INSTRUCTION

## SERIES 1200

Version 1.0 (2016-11-30)

2\_03.2.c



Subject to technical changes.

**raumplus**

# CONTENT AND TOOLS

## CONTENT:

Content and tools	page	02
Product information	page	03
Manual	page	04
Accessories	page	05
Exploded drawing	page	06
Installation instruction	page	07



The working steps described in this instruction are exclusively valid for the hinge door »DIN left«. The assembly for the hinge door »DIN right« is to be carried out mirror-inverted.

## TOOLS:

(without claim of completeness)

- Aluminium saw
- Pencil
- Drill set metal
- Drilling machine
- Cutter or blade / wire cutting pliers
- Screwdriver set
- Rubber mallet
- Allen key set



Version 1.0:











## VERSION INFORMATION:

# PRODUCT INFORMATION

## GENERAL INFORMATION: Preparation

- This manual is part of the product and describes the safe and proper installation of the system. Please read the instructions carefully before installation
- Please note that the assembly should only be done by qualified and trained staff in strict compliance with all details indicated in this document. Improper installation in variation from manufacturer's specification may cause defects and danger, thus endangering the safe fixing of the product as well as the safety of the prospective user. The liability of the manufacturer shall be excluded in case of defects and consequential damages resulting from incorrect assembly of this product.
- Please check the completeness of the delivered parts and check carefully if any transport damages are visible.
- If any parts are damaged or lost, please immediately contact the responsible supplier.
- It is assumed that you have exactly identified all cutting dimensions according to the measurement instruction for **raumplus** products.

## SYMBOLE:

Symbol	Importance	Symbol	Importance
	Risk or danger!		During the installation do not use a striking tool
	Advice and information		No leverage tool for disassembly of fittings
	Additional information / other documents		Be aware of the risk of entrapment.
	Directional data / direction of movement		
	„yes“ and „right“		
	„no“ and „wrong“		
	Follow the order		

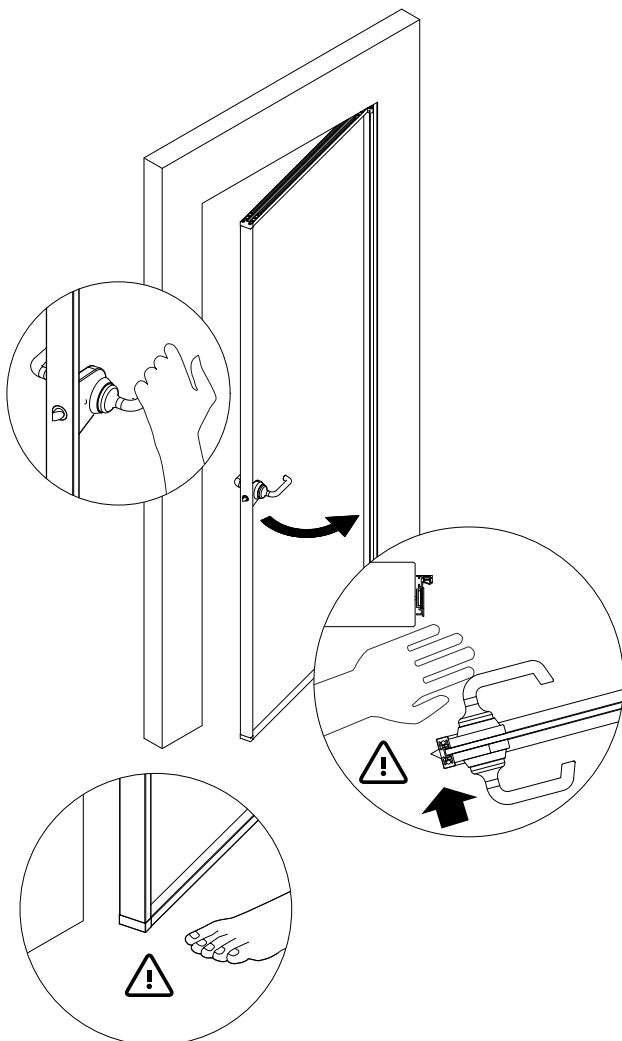
## SYSTEM:

### System Information: S1200

- max. weight of element = **30 kg**
- min./max. door height = **700 mm / 2600 mm**
- min./max. door width = **500 mm / 600 mm**

# MANUAL

This manual is part of the delivered product and describes the safe and proper use.



## Designated use:

The product is designed and manufactured for indoor use.

The product was designed as a hand-guided hinge door that is usually not being moved faster than walking speed and should be stopped manually when reaching the end position. The doors are guided on top and bottom track.

Any other use that deviates from the specific proper use is not according to the **raumplus** regulations.

## Manual:

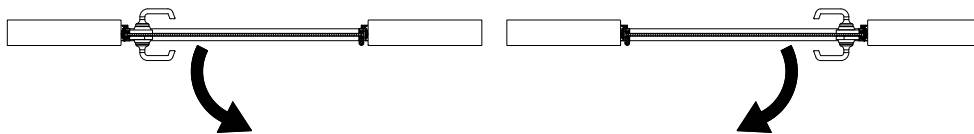
Open the door by the handle profile or the handle (optional).

Guide the door slowly to the opening / closing point.

## Attention:

Preserve your hands from getting trapped during the movement of the door. When closing or opening the door never take hold of the profile, only use the handle profile or the handle.

Use the door as instructed.



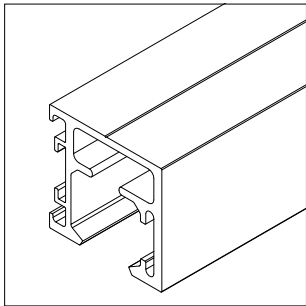
## Safety Information:

The product complies with the prior of the art and the approved safety rules at the time of delivery.

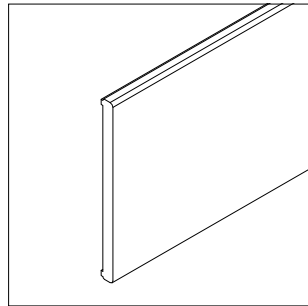
- Pay attention to child safety.
- Structural changes, additions or modifications should only be carried out by a distributor.
- In case of malfunctions or irregularities: shut down the system and contact your dealer.
- Do not touch closing edges, risk of entrapment.
- No objects to be placed between the closing edges.
- No additional load to the doors.
- Changes in the door joints may cause the door to fall out of the frame.
- Do not expose open doors to the wind.
- Do not overtighten the door.
- Beware of glass breakage.

Concerning the manufacturer's liability for his products has defined in the „Law of Liability for Products“ (§4 Prod-HaftG), please pay attention to the above information accordingly.

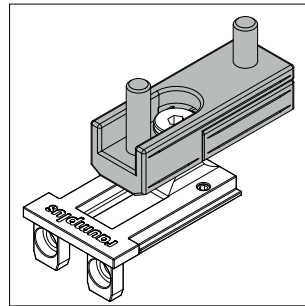
# ACCESSORIES



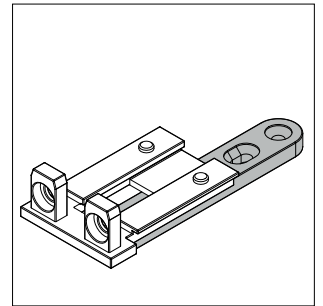
1\_ 12.45.0xx



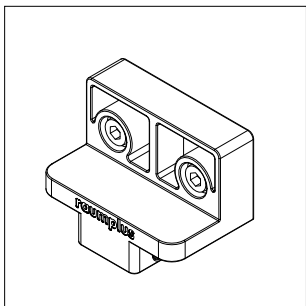
2\_ 13.33.0xx



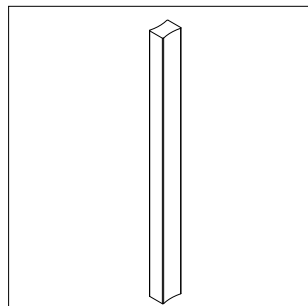
3\_ 10.02.420



4\_ 10.02.450



5\_ 10.02.470



6\_ 10.01.93x

1\_ Folding-/hinge door track, S42

2\_ Dividing rail surface 28 mm

3\_ Pick up element set for folding-/hinge door S1200

4\_ Mounting plate set for folding-/hinge door S1200

5\_ Top positioning for folding-/hinge door S1200

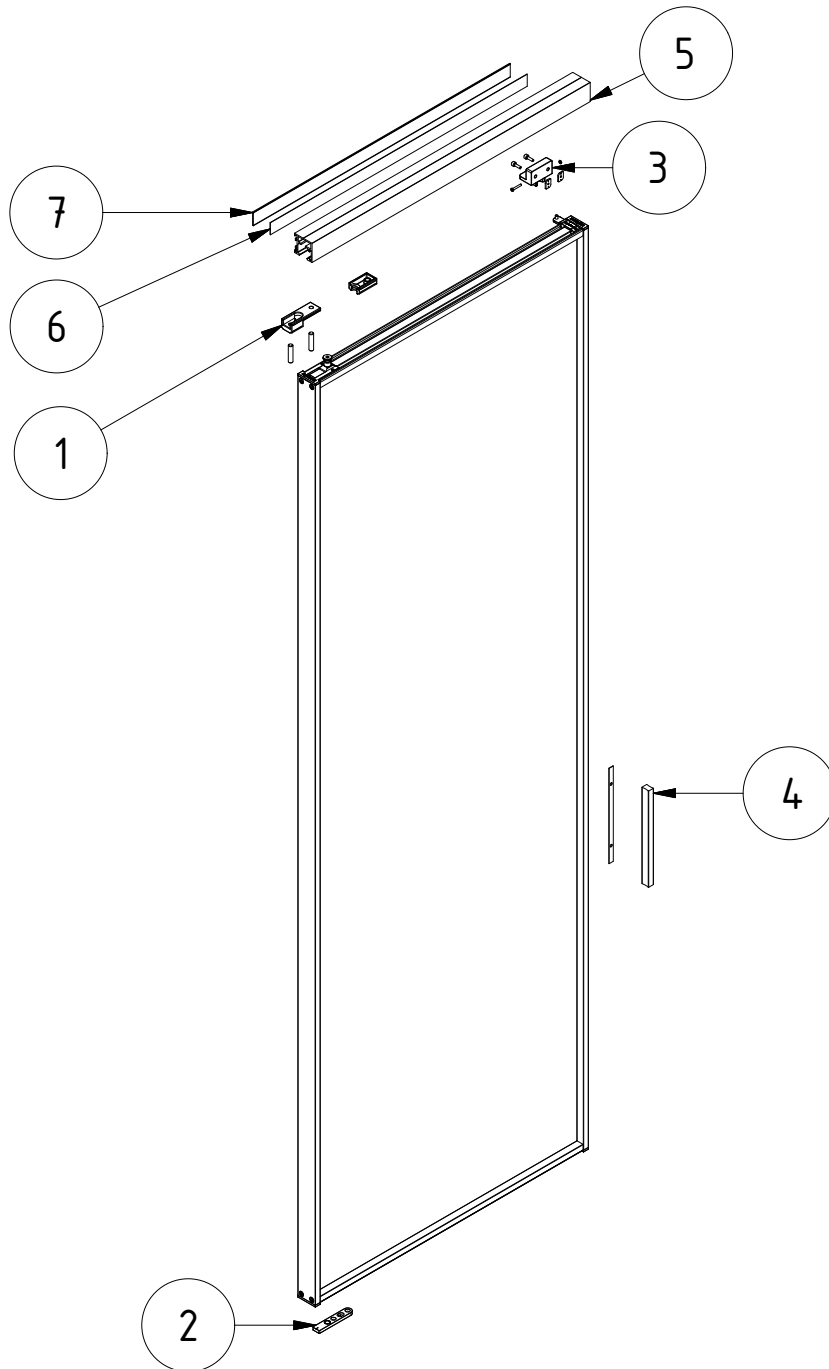
6\_ Cuboid handle for hinge and folding doors

**without illustration:**

7\_ Double side tape for dividing rail (25.12.045)

# EXPLODED DRAWING

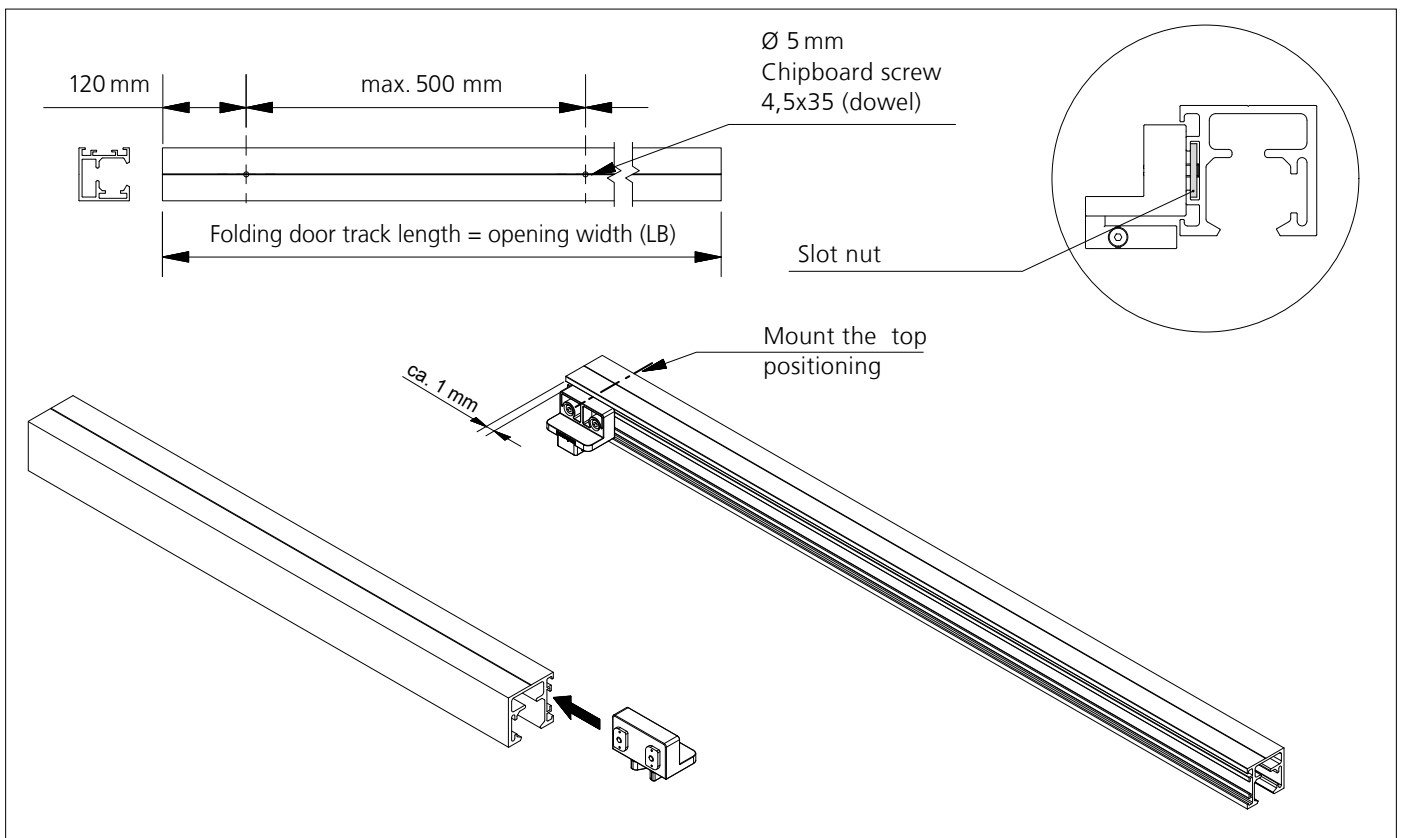
DIN LEFT



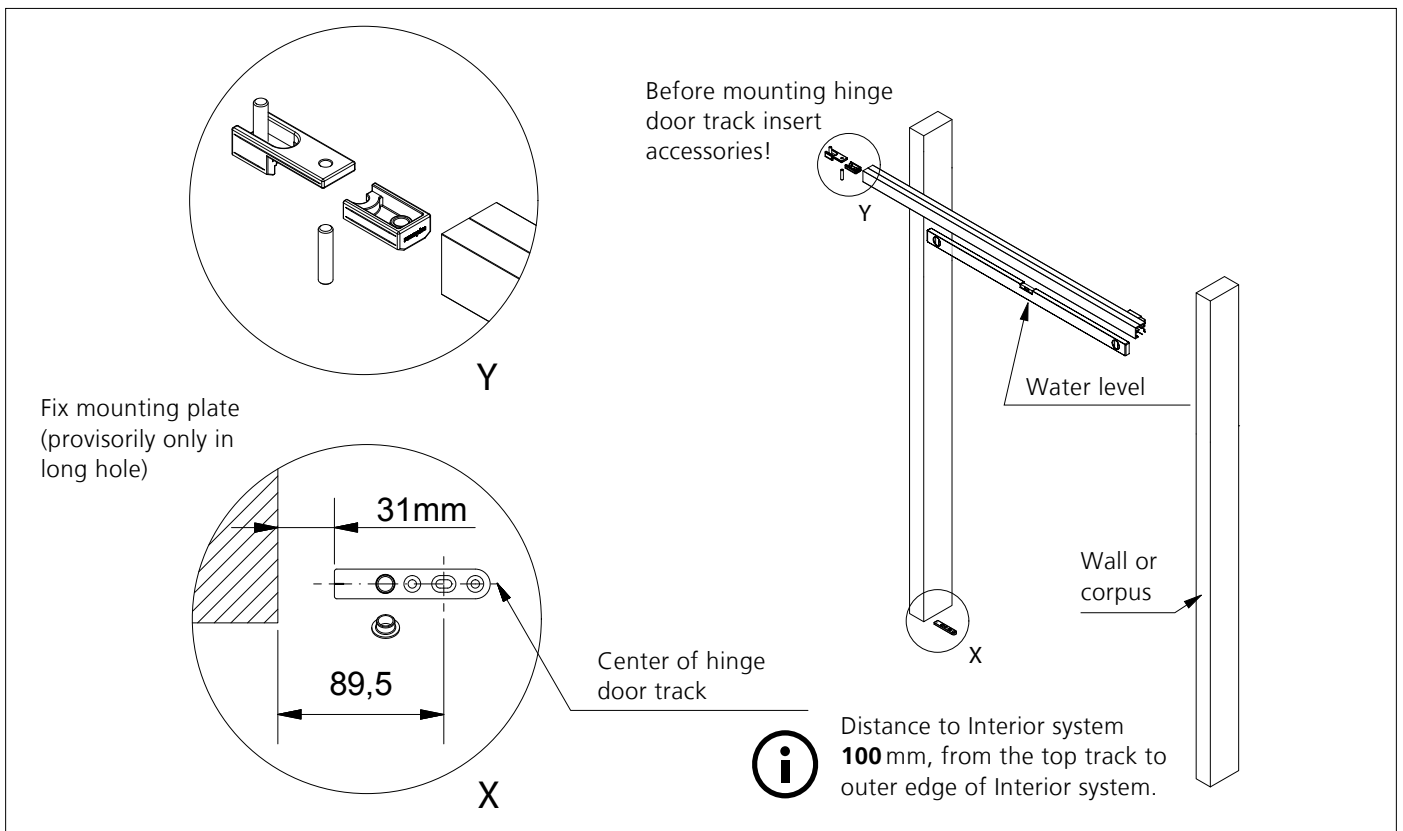
Item list			
Object	Quantity	Item	Item no.
1	1	Pick up element set for folding-/hinge door S1200	10.02.420
2	1	Mounting plate set for folding-/hinge door S1200	10.02.450
3	1	Top positioning for folding-/hinge door S1200	10.02.470
4	1	Cuboid handle for hinge door	10.01.93x
5	1	Folding-/hinge door track, S42	12.45.0xx
6	1	Double side tape for dividing rail	25.12.045
7	1	Dividing rail surface	13.33.0xx

# INSTALLATION INSTRUCTION

DIN LEFT



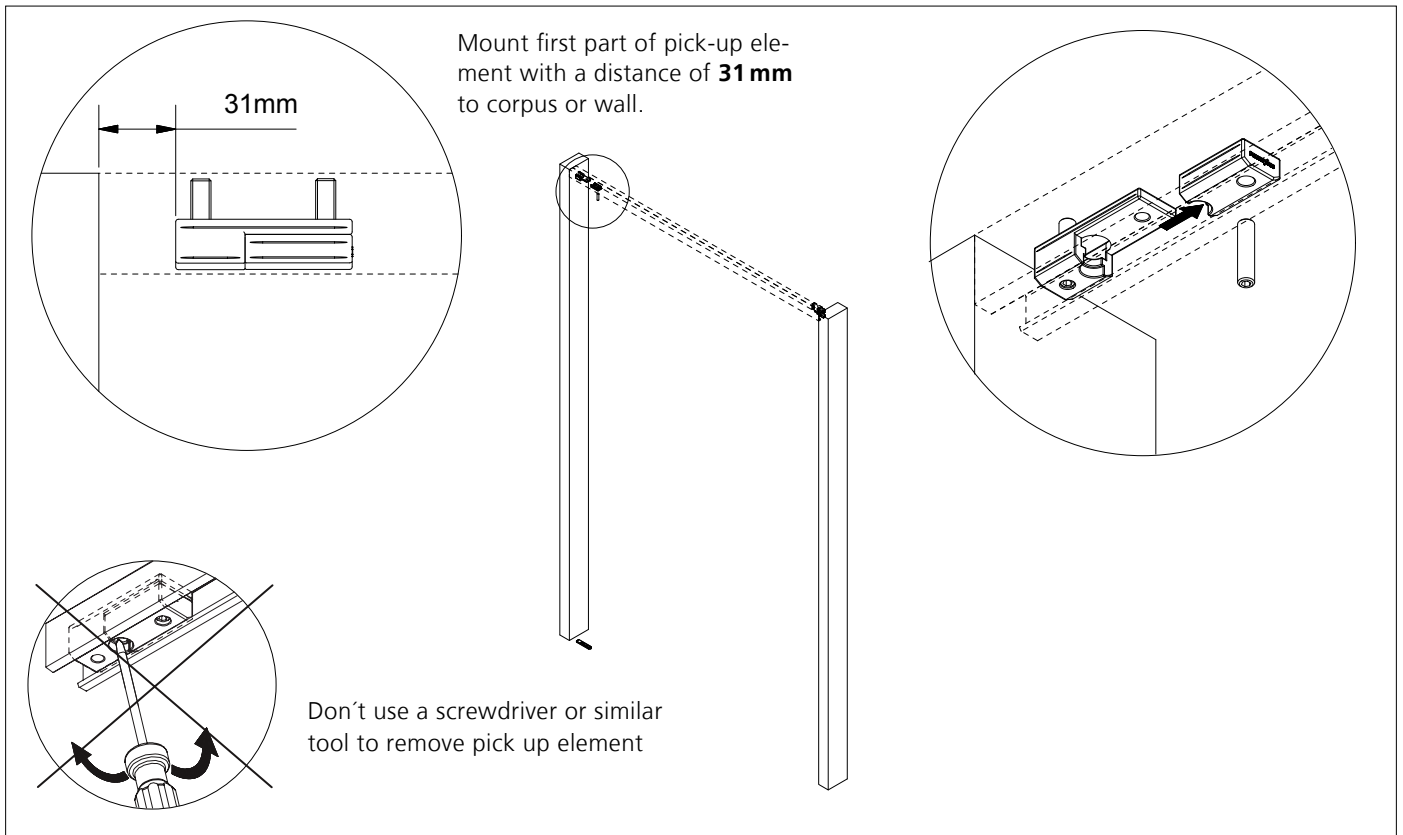
1\_ Mounting the top positioning



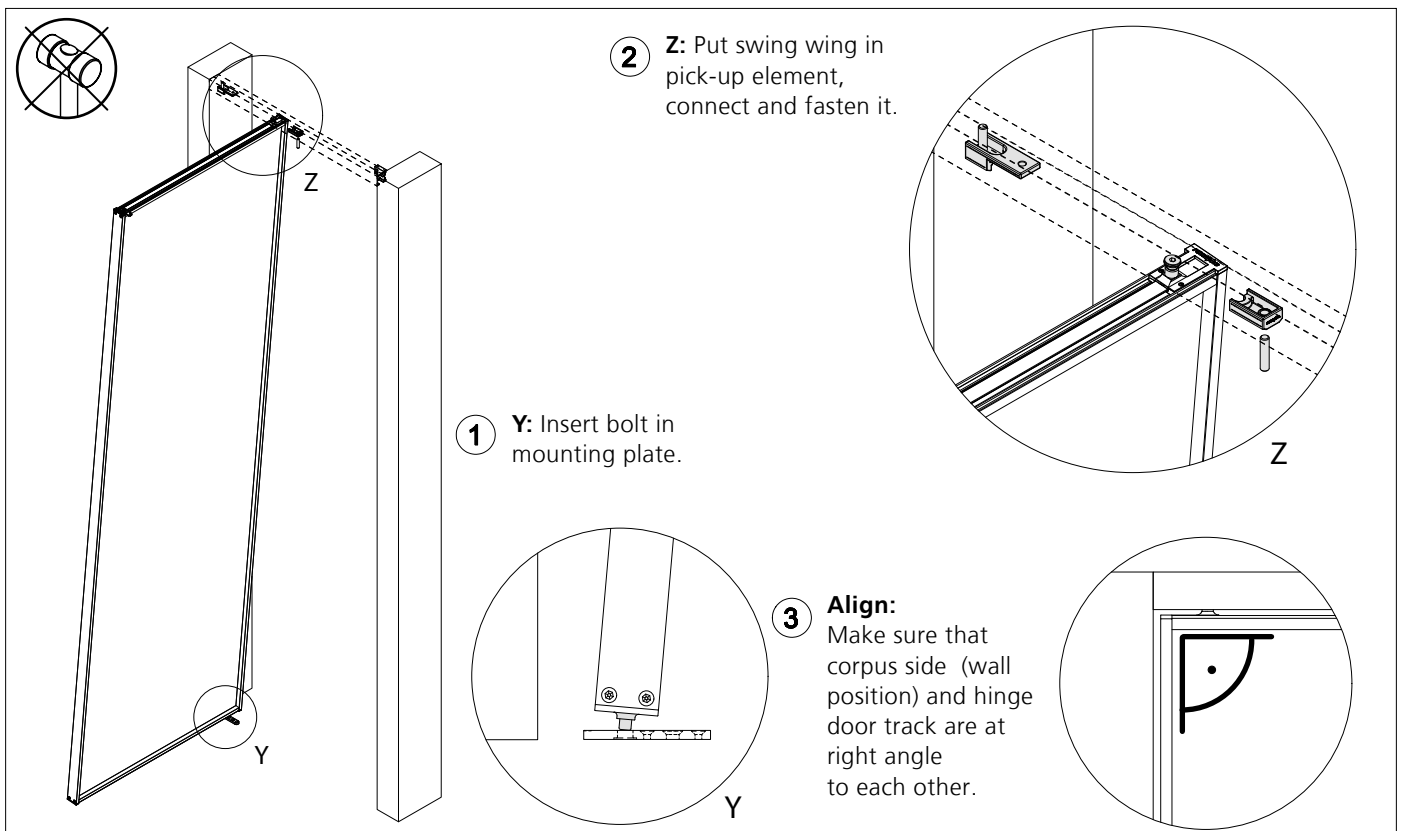
2\_ Drill holes in ceiling / top of closet corpus, mount hinge door track horizontally (fig. w/o ceiling / top of closet corpus)

# INSTALLATION INSTRUCTION

DIN LEFT



3\_ Mount pick-up element

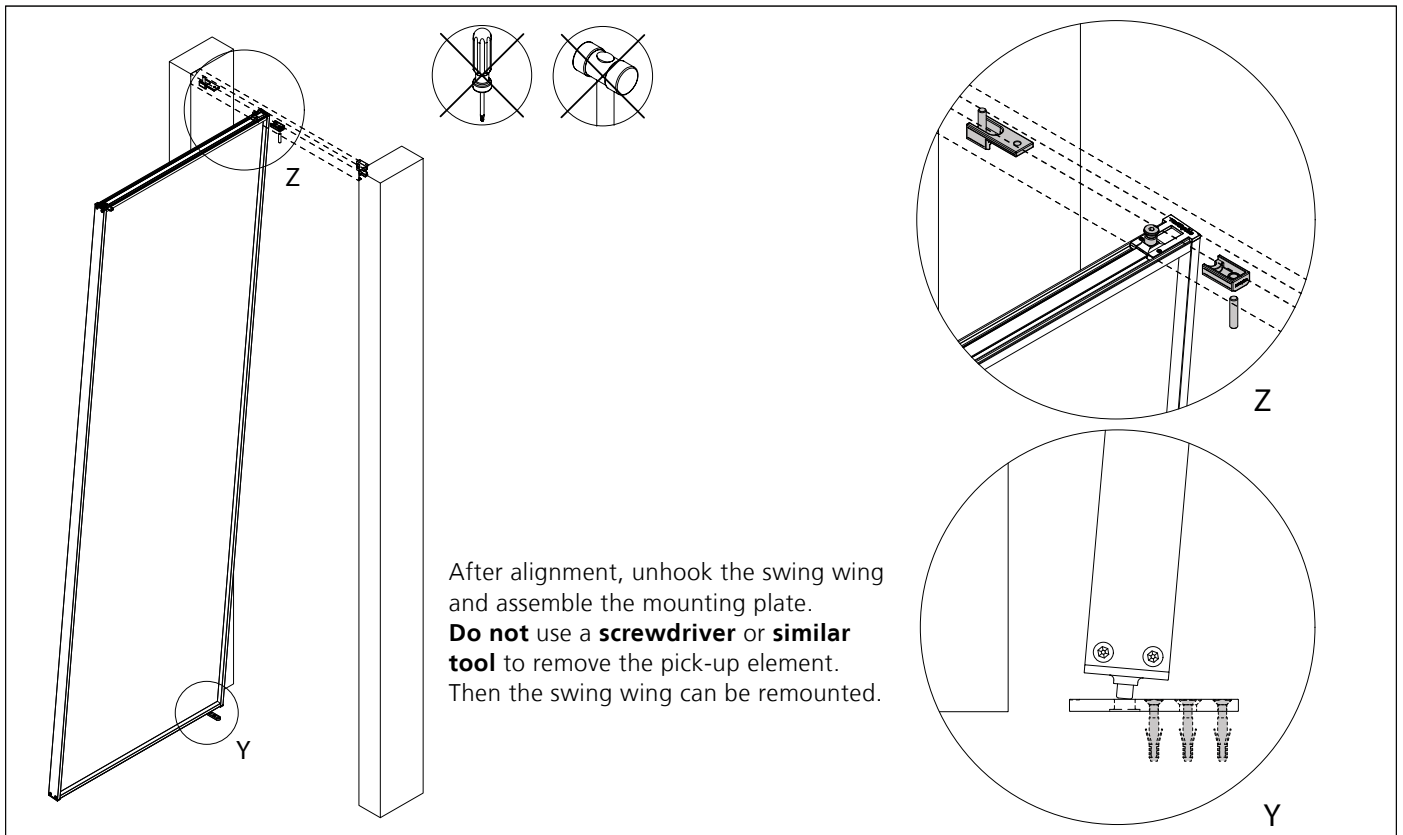


4\_ Install the swing wing , during assembly no hammer may be used

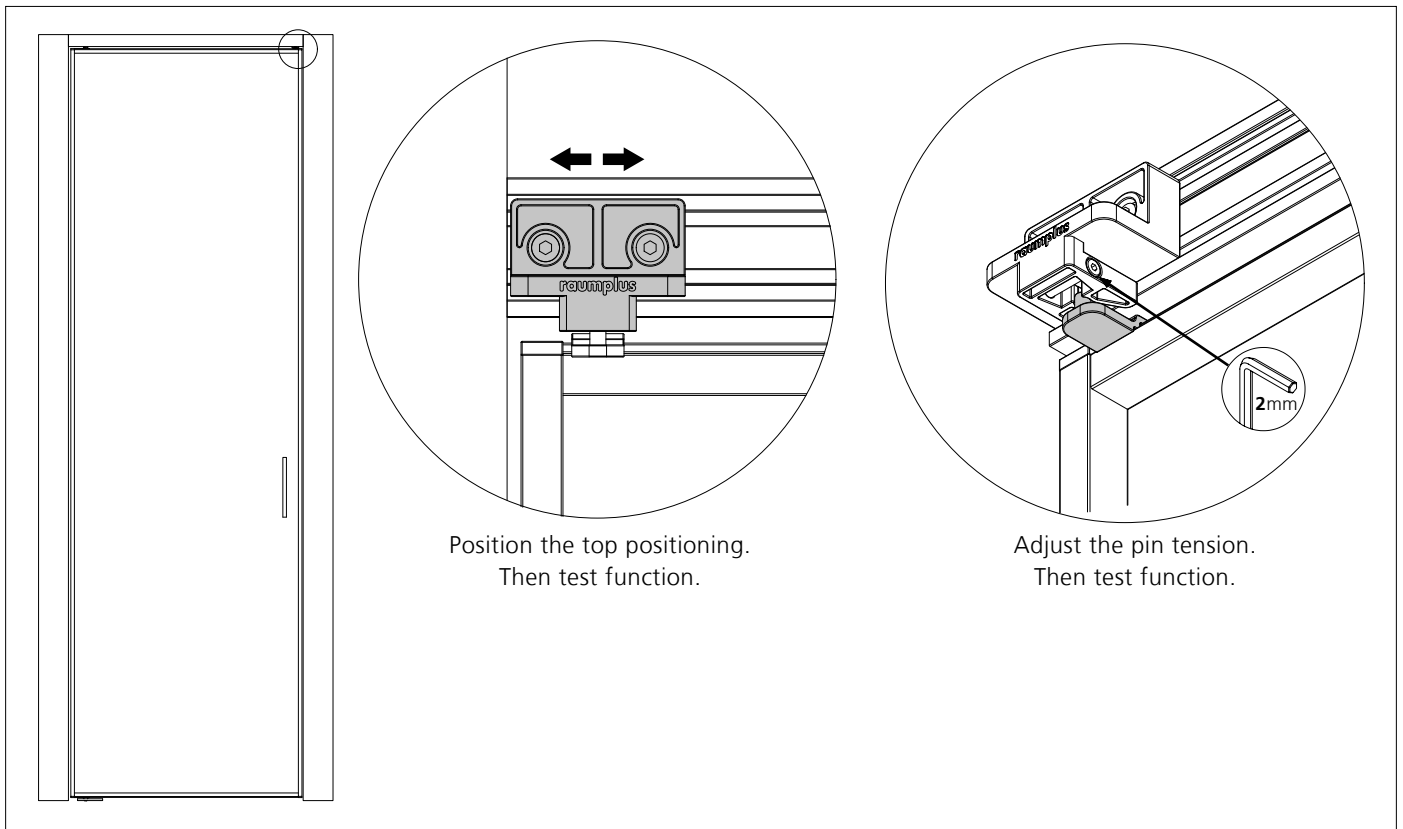


# INSTALLATION INSTRUCTION

DIN LEFT



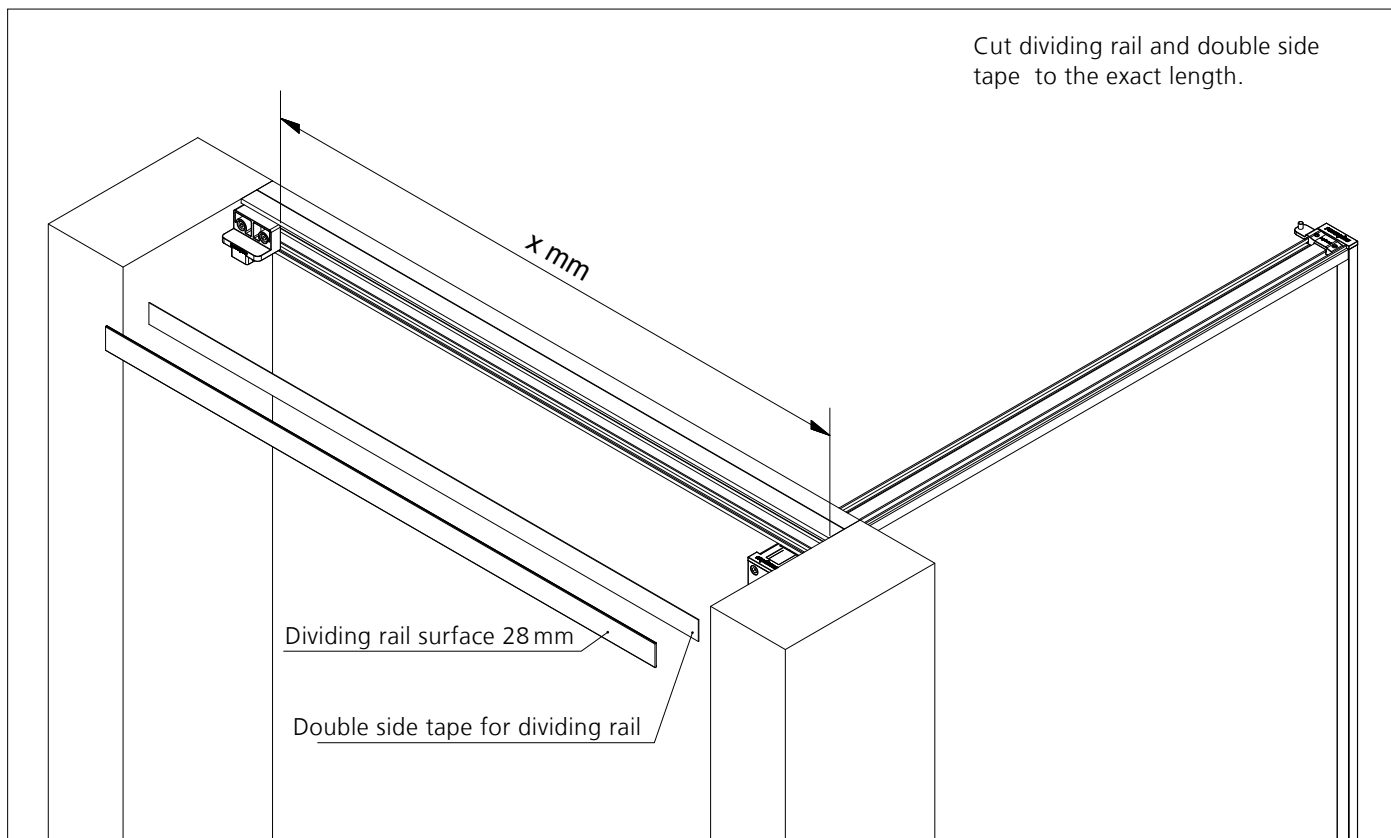
5\_ Remove swing wing and install mounting plate.



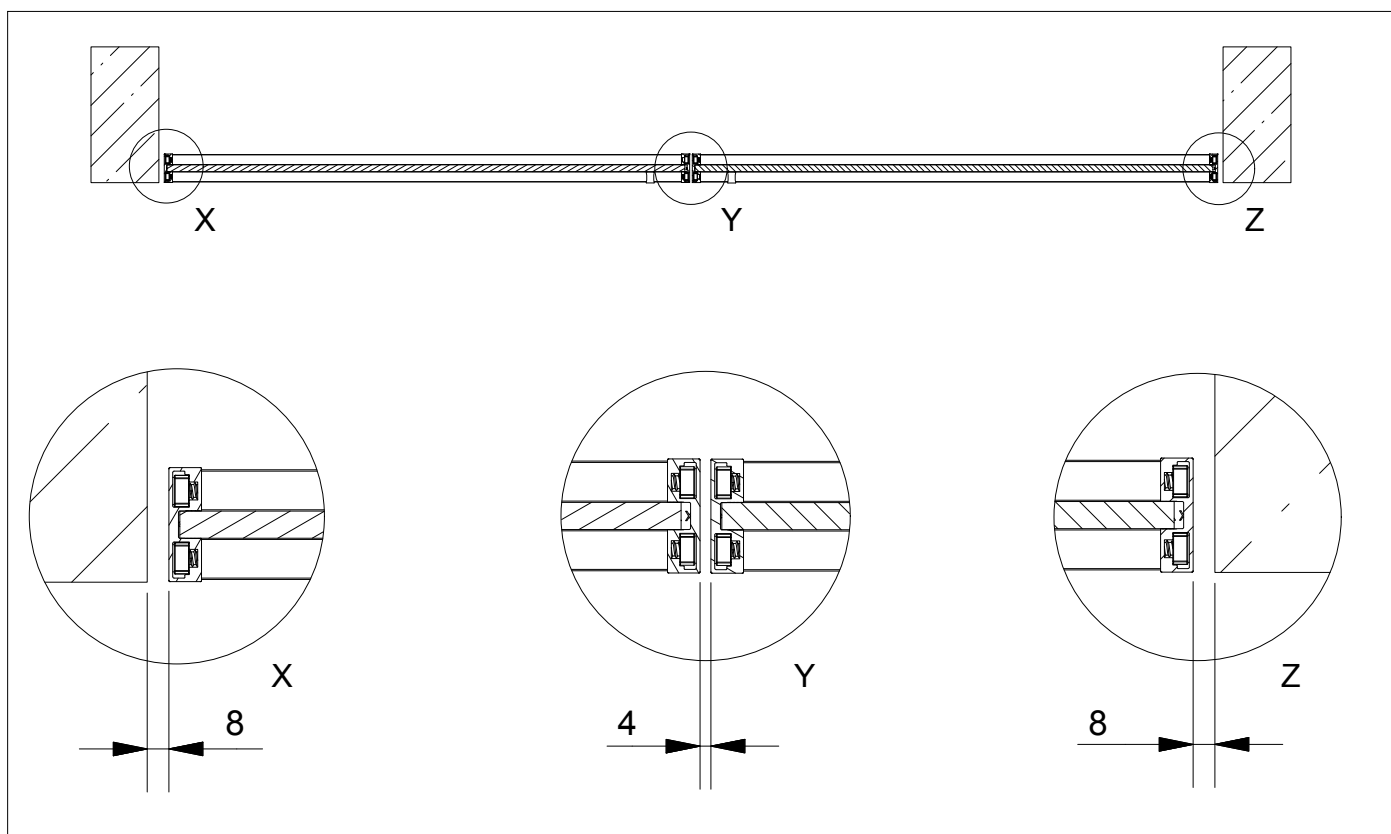
6\_ Adjusting the top positioning

# INSTALLATION INSTRUCTION

DIN LEFT



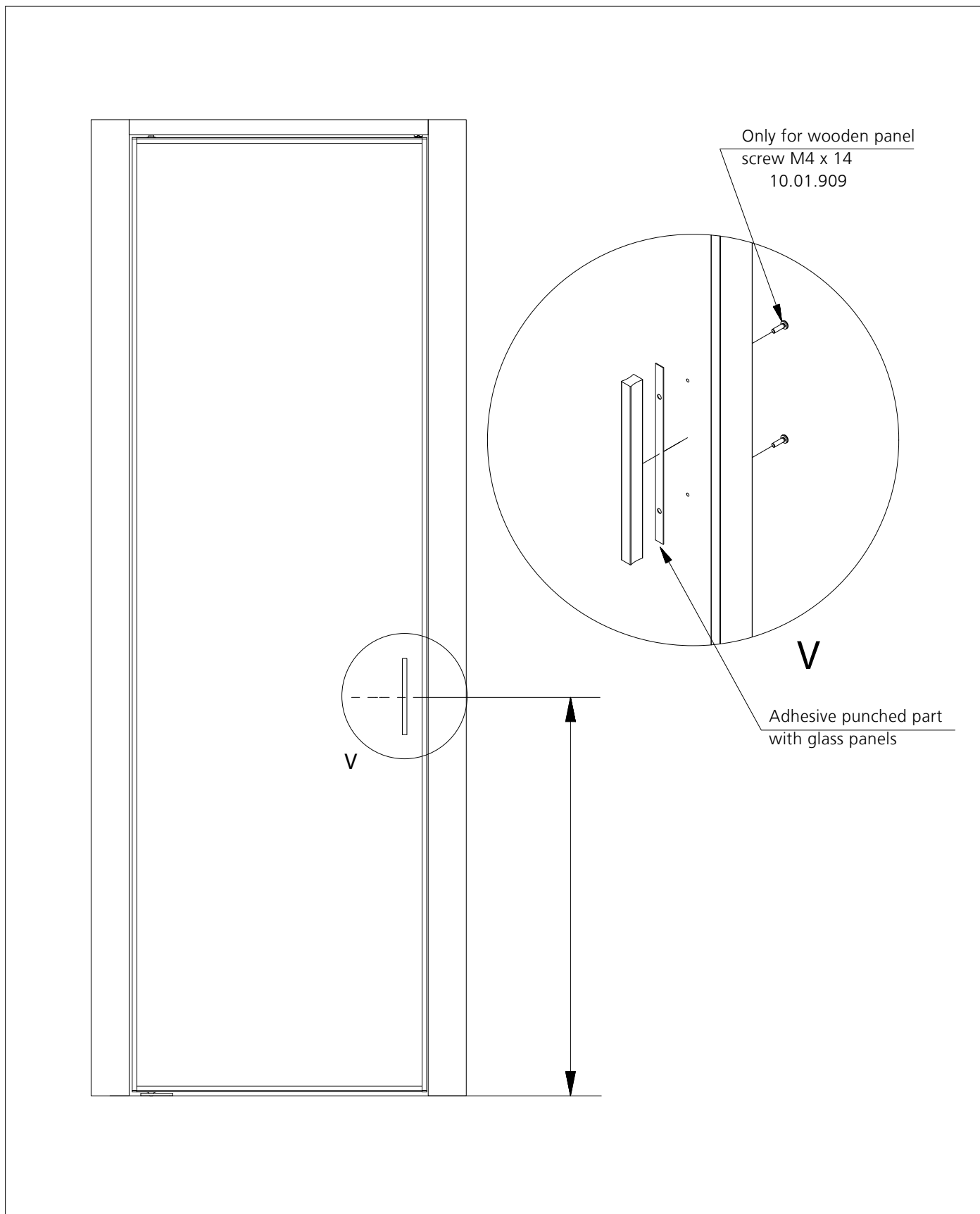
7\_ Sticking the dividing rail



8\_ Double-wing hinge door

# INSTALLATION INSTRUCTION

HANDLE



9\_